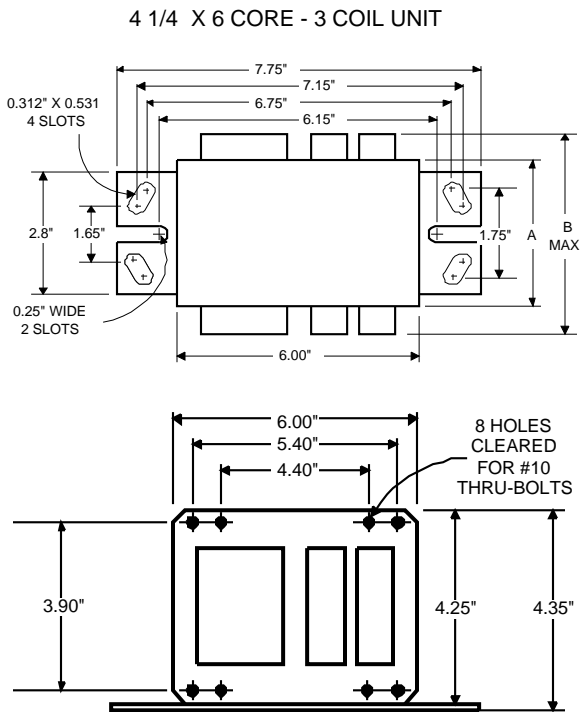
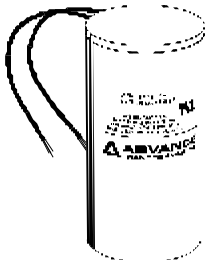


#### DIMENSIONS AND DATA



INPUT VOLTS	480			
CIRCUIT TYPE	CWA-ILO			
POWER FACTOR (min)	90%			
REGULATION				
Line Volts	±10%			
Lamp Watts	±10%			
LINE CURRENT (Amps)				
Operating.....	2.05			
Open Circuit.....	0.90			
Starting.....	1.90			
UL TEMPERATURE RATINGS				
Insulation Class	H(180°C)			
Coil Temperature Code	1029	H		
MIN. AMBIENT STARTING TEMP.	-20°F or -30°C			
NOM. OPEN CIRCUIT VOLTAGE	335			
INPUT VOLTAGE AT LAMP DROPOUT.....	240			
INPUT WATTS	890			
RECOMMENDED FUSE (Amps).....	5			
CORE and COIL				
Dimension (A)	4.05			
Dimension (B)	5.75			
Weight (lbs.)	29			
Lead Lengths	12"			
CAPACITOR REQUIREMENT				
Microfarads	24.0			
Volts (min.)	400			
Fault Current Withstand (amps)				
60 Hz TEST PROCEDURES (Refer to Philips Lighting Electronics N.A. TEST Procedure for HID Ballasts - Form High Potential Test (Volts)				
1 minute	2000			
2 seconds	2500			
Open Circuit Voltage Test (Volts)	295-365			
Short-Circuit Current Test (Amps)				
Secondary Current	3.90-4.80			
Input Current.....	1.50	-	-	-
	2.30			

Capacitor: 7C240P40-R

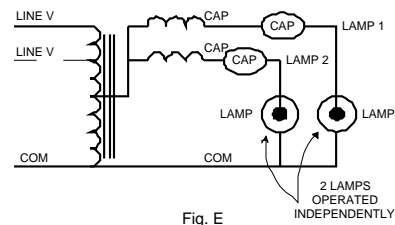


Capacitance: 24  
Dia/Oval Dim: 1.75  
Height: 5.125  
Temp Rating: 105°C

Ignitor: NA

This ballast does not require the use of an ignitor.

#### Wiring Diagram:



#### Typical Ordering Information

(please call Philips Lighting Electronics N.A. for suffix availability)

Order Suffix	Description

Data is based upon tests performed by Philips Lighting Electronics N.A. in a controlled environment and is representative of relative performance. Actual performance can vary depending on operating conditions. Specifications are subject to change without notice.

### PHILIPS LIGHTING ELECTRONICS N.A.

10275 WEST HIGGINS ROAD · ROSEMONT, IL 60018  
Tel: 800-322-2086 · Fax: 888-423-1882 · www.philips.com/advance  
Customer Support/Technical Service: 800-372-3331 · OEM Support: 866-915-5886