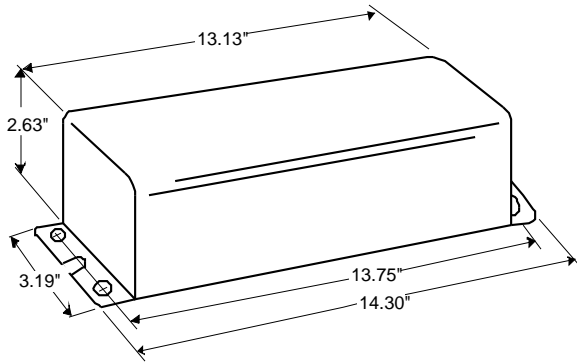


DIMENSIONS AND DATA



INPUT VOLTS		277			
CIRCUIT TYPE	HX-PFC				
POWER FACTOR (min)	85%				
REGULATION					
Line Volts	±5%				
Lamp Watts	±10%				
LINE CURRENT (Amps)					
Operating.....		0.95			
Open Circuit.....		1.80			
Starting.....		0.90			
UL TEMPERATURE RATINGS					
Insulation Class	A (105°C)				
Coil Temperature Code	1029		A		
MIN. AMBIENT STARTING TEMP.	-20°F or -30°C				
NOM. OPEN CIRCUIT VOLTAGE	660				
INPUT VOLTAGE AT LAMP DROPOUT.....		166			
INPUT WATTS	220				
RECOMMENDED FUSE (Amps).....		5			
CORE and COIL					
Dimension (A)					
Dimension (B)					
Weight (lbs.)	14.5				
Lead Lengths	12"				
CAPACITOR REQUIREMENT					
Microfarads					
Volts (min.)					
Fault Current Withstand (amps)					
60 Hz TEST PROCEDURES (Refer to Philips Lighting Electronics N.A. TEST Procedure for HID Ballasts - Form High Potential Test (Volts)					
		2300			
1 minute		2800			
2 seconds		595-725			
Open Circuit Voltage Test (Volts)					
Short-Circuit Current Test (Amps)	0.75-1.15				
Secondary Current					
Input Current.....		0.65	-	-	-
		0.95			

Capacitor:

The capacitor is included as part of the potted assembly.

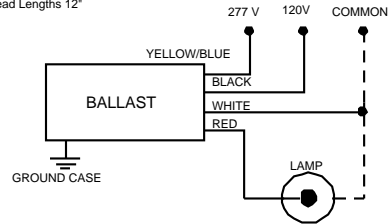
Ignitor: NA

This ballast does not require the use of an ignitor.



Wiring Diagram:

All Lead Lengths 12"



F-Can Wiring Diagram

Typical Ordering Information

(please call Philips Lighting Electronics N.A. for suffix availability)

Order Suffix	Description
--------------	-------------

Data is based upon tests performed by Philips Lighting Electronics N.A. in a controlled environment and is representative of relative performance. Actual performance can vary depending on operating conditions. Specifications are subject to change without notice.

PHILIPS LIGHTING ELECTRONICS N.A.

10275 WEST HIGGINS ROAD · ROSEMONT, IL 60018

Tel: 800-322-2086 · Fax: 888-423-1882 · www.philips.com/advance

Customer Support/Technical Service: 800-372-3331 · OEM Support: 866-915-5886

Revised: 04/23/07