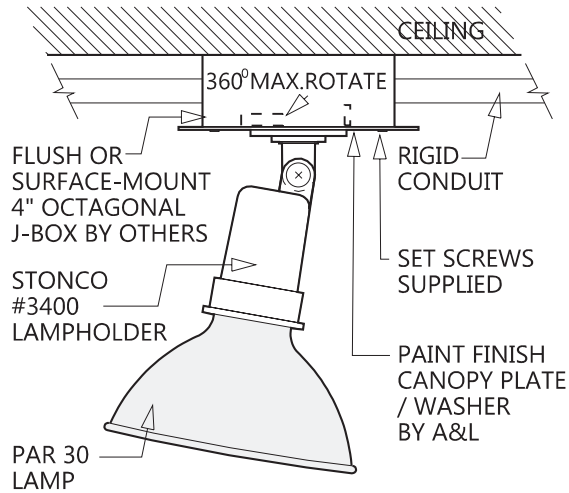
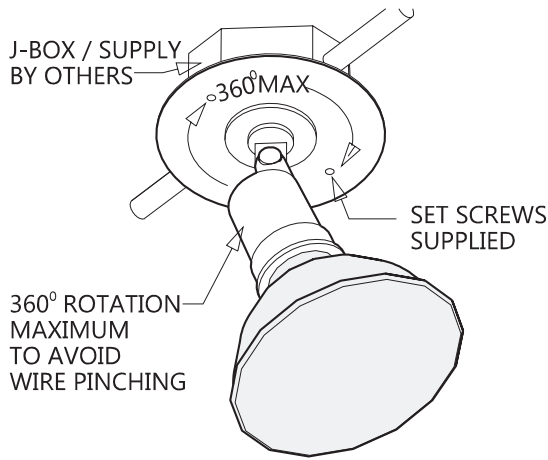


# PAR 30 SINGLE LAMPHOLDER CEILING MOUNT WALLWASH MAXIMUM 360° ROTATION TO AVOID WIRE PINCHING

**AL9110**  
**I**

PROJECT NAME

TYPE



SECTION PROFILE  
SCALE: 1/2" = 1"

ACCESS	ELECTRIC	FINISH	CONSTRUCTION
ONE PIECE FACE-PLATE ACCESS WITH SCREWS. SET SCREWS SUPPLIED.	CONNECT TO DIRECT MAINLINE ELECTRIC.	SEE OPTIONS	ALUMINUM 16 GAUGE 5" DIAMETER DISK WITH ONE HOLE ON CENTER FOR ATTACHED LAMPHOLDER/ WASHER ASSEMBLY, AND TWO SCREW HOLES FOR ATTACH TO 4" OCTAGONAL J-BOX BY OTHERS.
		<b>SPECIAL FEATURE</b> LAMPHOLDER HAS 360° MAXIMUM ROTATION TO AVOID WIRE PINCHING.	

## ORDERING INFORMATION

SERIES	LAMP CODE	VOLTAGE	OPTIONS																				
<b>AL9110-I</b>	<table border="1"> <tr> <th>LAMP CODE</th> <th>OVERALL LENGTH</th> </tr> <tr> <td>PAR 30</td> <td>5" DIA.</td> </tr> </table>	LAMP CODE	OVERALL LENGTH	PAR 30	5" DIA.	<table border="1"> <tr> <td>120 OR 277</td> </tr> </table>	120 OR 277	<table border="1"> <tr> <td><b>W</b></td> <td>WHITE</td> <td>(PER YOUR SPECIFICATION)</td> </tr> <tr> <td><b>ALUM</b></td> <td>ALUMINUM COLOR</td> <td>(NON-METAL)</td> </tr> <tr> <td><b>B</b></td> <td>BLACK</td> <td>(PER YOUR SPECIFICATION)</td> </tr> <tr> <td><b>CC</b></td> <td>CUSTOM COLOR</td> <td>(SPECIFY)</td> </tr> <tr> <td><b>MOD</b></td> <td>MODIFICATION</td> <td>(CONSULT MFG)</td> </tr> </table>	<b>W</b>	WHITE	(PER YOUR SPECIFICATION)	<b>ALUM</b>	ALUMINUM COLOR	(NON-METAL)	<b>B</b>	BLACK	(PER YOUR SPECIFICATION)	<b>CC</b>	CUSTOM COLOR	(SPECIFY)	<b>MOD</b>	MODIFICATION	(CONSULT MFG)
LAMP CODE	OVERALL LENGTH																						
PAR 30	5" DIA.																						
120 OR 277																							
<b>W</b>	WHITE	(PER YOUR SPECIFICATION)																					
<b>ALUM</b>	ALUMINUM COLOR	(NON-METAL)																					
<b>B</b>	BLACK	(PER YOUR SPECIFICATION)																					
<b>CC</b>	CUSTOM COLOR	(SPECIFY)																					
<b>MOD</b>	MODIFICATION	(CONSULT MFG)																					

[FOR LAMPING INFORMATION CLICK HERE](#)

ALL FIXTURES ARE UL LISTED AND BEAR IBEW LABELS. PRODUCTS SUBJECT TO CHANGE WITHOUT NOTICE.