



A.L.P.

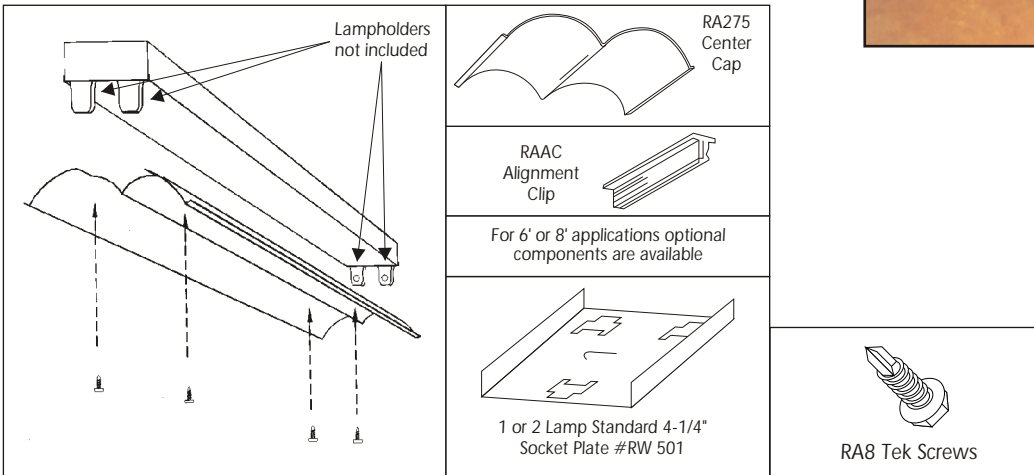
2000 SERIES REFLECTOR

For Quick, Simple Retrofit of 2 Lamp Strip Fixture

2000 Series Reflector Kit

2 Lamp Strip

2000 Series Reflectors are for maximizing light output from typical 2 lamp fluorescent strip lighting fixtures. They can be used to convert from 8' to 4' lamps by using our optional socket plates. Anodized aluminum (RA) reflectors are manufactured with a minimum of 86% Total Reflectivity (T.R.). Optional finishes are also available. They are designed and manufactured in compliance with U.L. Standards for retrofit reflectors.



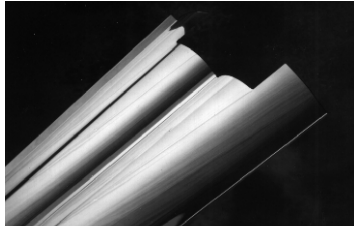
CATALOG NO.	DESCRIPTION	LENGTH
RA 2002	(1) RA 2002 2' Reflector (Anodized Aluminum), (4) RA8 TEK Screws	2'
RA 2003	(1) RA 2003 3' Reflector (Anodized Aluminum), (4) RA8 TEK Screws	3'
RA 2004	(1) RA 2004 4' Reflector (Anodized Aluminum), (4) RA8 TEK Screws	4'
RA 2006	(2) RA 2003 3' Reflector (Anodized Aluminum), (8) RA8 TEK Screws, (2) RAAC Alignment Clips, (1) RA 275 Center Cap	6'
RA 2008	(2) RA 2004 4' Reflector (Anodized Aluminum), (8) RA8 TEK Screws, (2) RAAC Alignment Clips, (1) RA 275 Center Cap	8'

ACCESSORIES

RW 501	1 or 2 Lamp Standard 4-1/4" Wide Socket Plate & (2) TEK Screws (order 2 per fixture)
RW 522	2 Double Lamp Center Socket Plate, (2) TEK Screws, 4-1/4" Wide (order 1 per 6' or 8' Fixture)
RAAC	Clear Plastic Alignment Clip
RA 275	Center Cap

NOTE: FOR HIGHLY SPECULAR MIRO ALUMINUM (95% T.R.), DELETE PREFIX "RA" AND REPLACE WITH "RM" OR FOR WHITE ALUMINUM DELETE "RA" AND REPLACE WITH "RW".

For more information, or to place an order, contact Customer Service.



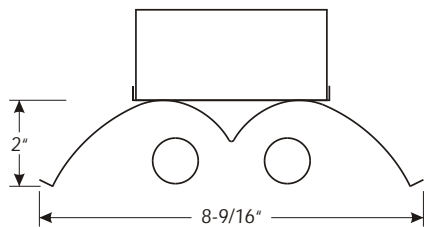
2000 Series Reflector

ZONAL CAVITY COEFFICIENTS OF UTILIZATION

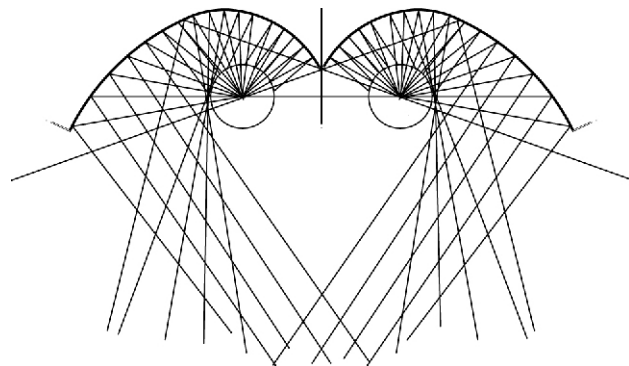
EFFECTIVE FLOOR CAVITY REFLECTANCE = .20																		
Ceiling	.80				.70				.50			.30			.10			.00
Wall RCR	.70	.50	.30	.10	.70	.50	.30	.10	.50	.30	.10	.50	.30	.10	.50	.30	.10	.00
0	.93	.93	.93	.93	.91	.91	.91	.91	.87	.87	.87	.84	.84	.84	.80	.80	.80	.78
1	.86	.83	.80	.77	.84	.81	.79	.76	.78	.76	.74	.75	.73	.72	.72	.71	.69	.68
2	.79	.74	.69	.65	.77	.72	.68	.64	.69	.66	.62	.67	.64	.61	.65	.62	.60	.58
3	.73	.66	.60	.55	.71	.64	.59	.55	.62	.57	.54	.60	.56	.53	.58	.55	.52	.50
4	.67	.59	.52	.47	.66	.58	.52	.47	.56	.50	.46	.54	.49	.46	.52	.48	.45	.44
5	.62	.52	.45	.41	.60	.51	.45	.40	.50	.44	.40	.48	.43	.39	.47	.42	.39	.37
6	.57	.47	.40	.35	.55	.46	.40	.35	.45	.39	.35	.44	.39	.35	.42	.38	.34	.33
7	.53	.42	.36	.31	.51	.42	.36	.31	.41	.35	.31	.39	.34	.31	.38	.34	.30	.29
8	.49	.38	.32	.27	.47	.38	.32	.27	.37	.31	.27	.36	.31	.27	.35	.30	.27	.25
9	.45	.34	.28	.24	.44	.34	.28	.24	.33	.28	.24	.32	.27	.24	.31	.27	.23	.22
10	.42	.31	.25	.21	.41	.31	.25	.21	.30	.25	.21	.29	.24	.21	.29	.24	.21	.20

Certified Test Report No. 7092.0

Ray Traces are directional patterns produced by the lumen output of the lamps striking and leaving the reflector surface.



2000 SERIES REFLECTOR



A.L.P.
LIGHTING COMPONENTS, INC.
 CORPORATE HQ: CHICAGO, IL U.S.A.

Available from GoodMart
 (877) 402-6100 • Fax: (347) 402-6100 • Buy online: www.GoodMart.com
 © 1999 A.L.P. LIGHTING COMPONENTS, INC., PRINTED IN THE U.S.A., REF2 068