



A.L.P.

5000 SERIES REFLECTOR KIT

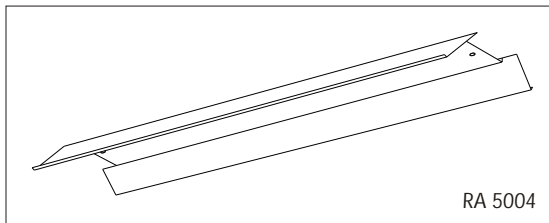
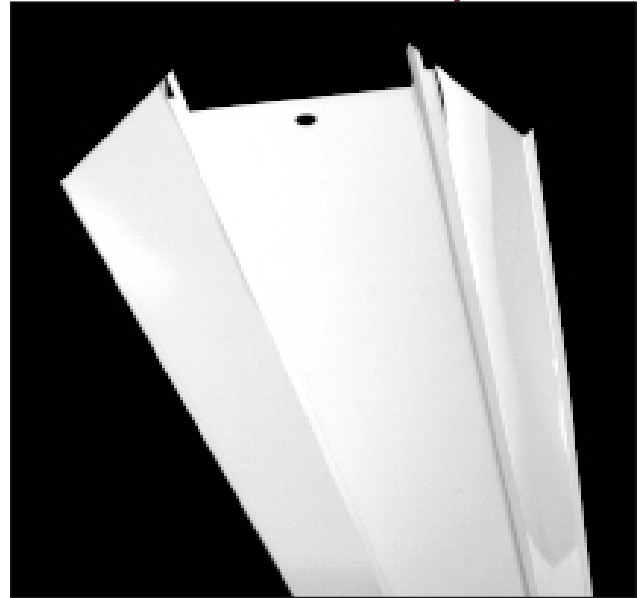
Retrofit 8' or 4' Strip Fixtures to T8 Lamps

5000 Series Reflector Kit

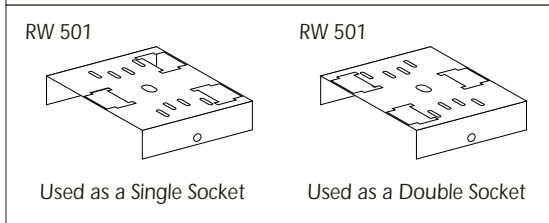
Convert 4-1/4" wide strip fixtures to 1 or 2 T8 lamps easily, quickly and economically.*

A.L.P. offers two outstanding reflector kits to retrofit 8' or 4' strip fixtures to the more efficient T8 lamps.

The 5000 Series Kit is a **complete reflector system**, including socket plates for lamp relocation, to provide maximum efficiency. Used to **delamp from 4 lamps to 2 lamps** in fluorescent strip fixtures. This retrofit system allows for removal and discarding of the ballast cover, relocation of lamps, optimizing light output and reducing energy consumption to comply with utility rebate requirements. **Anodized Aluminum (RA)** reflectors are manufactured from 0.025" thick aluminum with an **86% minimum reflectance**. Designed and manufactured in compliance with **U.L. Standards for retrofit reflectors**. The 5000 Series is **U.L. Classified as a ballast cover**.



RA 5004

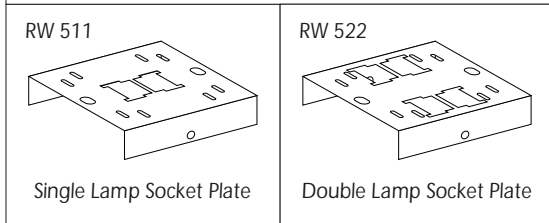


RW 501

RW 501

Used as a Single Socket

Used as a Double Socket

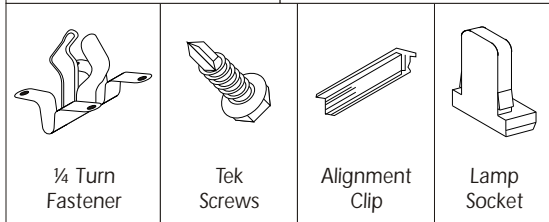


RW 511

RW 522

Single Lamp Socket Plate

Double Lamp Socket Plate



1/4 Turn Fastener

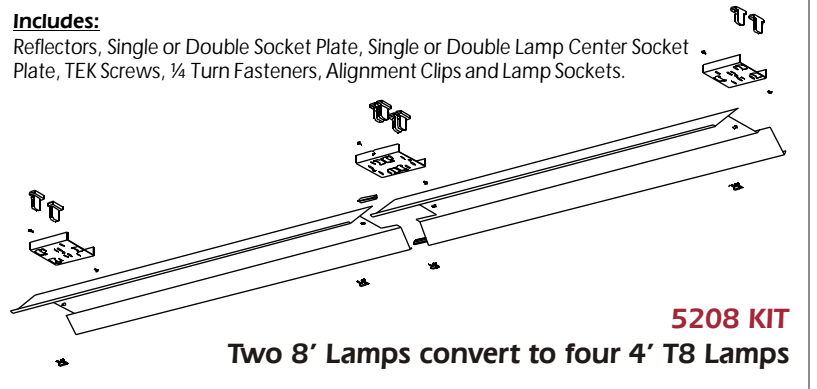
Tek Screws

Alignment Clip

Lamp Socket

Includes:

Reflectors, Single or Double Socket Plate, Single or Double Lamp Center Socket Plate, TEK Screws, 1/4 Turn Fasteners, Alignment Clips and Lamp Sockets.

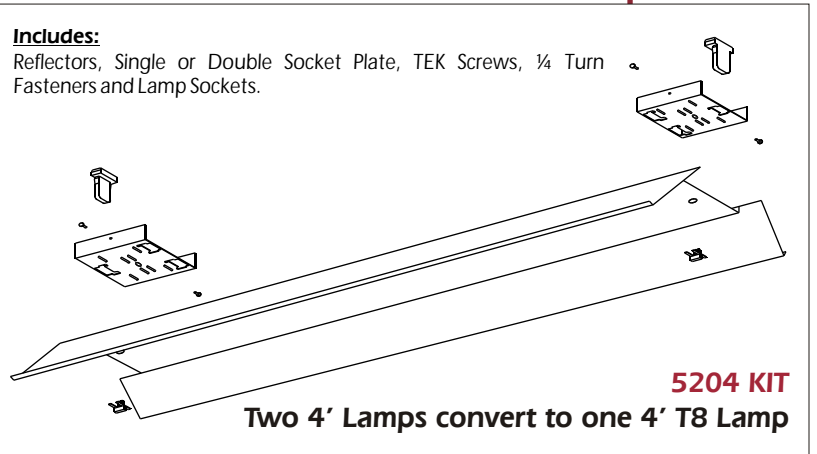


5208 KIT

Two 8' Lamps convert to four 4' T8 Lamps

Includes:

Reflectors, Single or Double Socket Plate, TEK Screws, 1/4 Turn Fasteners and Lamp Sockets.

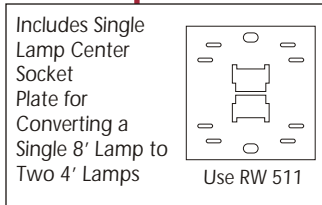


5204 KIT

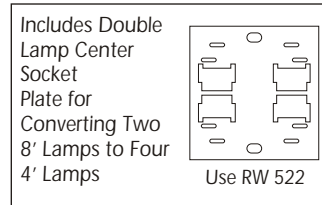
Two 4' Lamps convert to one 4' T8 Lamp

For more information, or to place an order, contact Customer Service.

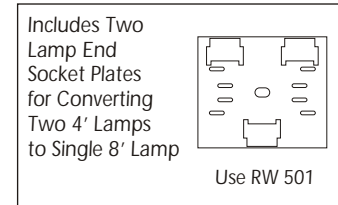
5000 REFLECTOR KIT ORDERING INFORMATION



Kit 5108



Kit 5208



Kit 5204

Catalog No.	Description
RA 5108 (Kit)	(1) 8' Lamp converts to (2) 4' T8 Lamps (Anodized Aluminum)
RF 5108 (Kit)	(1) 8' Lamp converts to (2) 4' T8 Lamps (Specular Laminate on Aluminum)
RW 5108 (Kit)	(1) 8' Lamp converts to (2) 4' T8 Lamps (Pre-Painted White)
RA 5208 (Kit)	(2) 8' Lamps convert to (4) 4' T8 Lamps (Anodized Aluminum)
RF 5208 (Kit)	(2) 8' Lamps convert to (4) 4' T8 Lamps (Specular Laminate on Aluminum)
RW 5208 (Kit)	(2) 8' Lamps convert to (4) 4' T8 Lamps (Pre-Painted White)
Includes	
* RA 5004	4' Reflector (2 Per Kit)
RW 501	Single or Double Socket Plate (2 Per Kit)
RW 511	Single Lamp Center Socket Plate for RA 5108 (1 Per Kit)
RW 522	Double Lamp Center Socket Plate for RA 5208 (1 Per Kit)
Also:	(6) TEK Screws, (4) 1/4 Turn Fasteners, (2) Alignment Clips (4) Lamp Sockets for RA 5108 or (8) Lamp Sockets for RA 5208

* For other strip widths, contact A.L.P. Customer Service.

Catalog No.	Description
RA 5204 (Kit)	(2) 4' Lamps convert to (1) 4' T8 Lamp (Anodized Aluminum)
RF 5204 (Kit)	(2) 4' Lamps convert to (1) 4' T8 Lamp (Specular Laminate on Aluminum)
RW 5204 (Kit)	(2) 4' Lamps convert to (1) 4' T8 Lamp (Pre-Painted White)
Includes	
* RA 5004	4' Reflector
RW 501	Single or Double Socket Plate (2 Per Kit)
Also:	(4) TEK Screws, (2) 1/4 Turn Fasteners, (2) Lamp Sockets for RA 5204
Note:	FOR SPECULAR LAMINATE ON ALUMINUM, DELETE PREFIX "RA" AND REPLACE WITH "RF" OR FOR WHITE ALUMINUM DELETE "RA" AND REPLACE WITH "RW".



A.L.P.
LIGHTING COMPONENTS, INC.
CORPORATE HQ: CHICAGO, IL U.S.A.

Available from GoodMart
(877) 402-6100 • Fax: (347) 402-6100 • Buy online: www.GoodMart.com
© 1999 A.L.P. LIGHTING COMPONENTS, INC., PRINTED IN THE U.S.A., REF5 078