



# A.L.P.

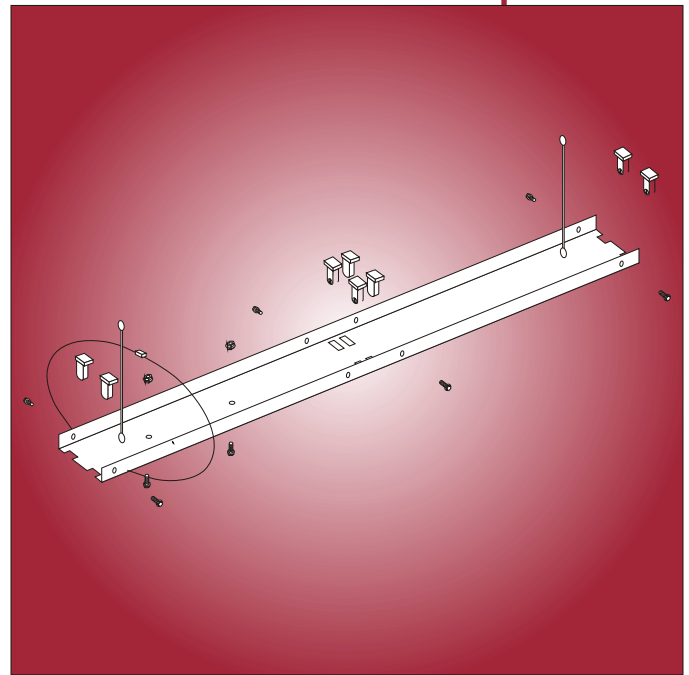
## Convert-A-Strip

### Convert 1 or 2 Lamp 8' T12's to 4' T8's

## CAS

Energy savings is not an option. It's a necessity for the generations of tomorrow. A.L.P. offers an inexpensive alternative for converting energy consuming T-12's to energy efficient T-8's. This simple kit makes the upgrade easy to do without tools. An ideal solution to the challenge of converting "yesterday's" strip fixture into the energy efficient lighting we need now. The Convert-A-Strip fits all 1, 2 and 4 lamp strip fixtures and is in stock for pick up or delivery.

This product meets or exceeds U.L. #1570 standards.



CAS

Features	Benefits
<b>Ballast Cover</b> <ul style="list-style-type: none"> <li>• Pre-punched for ballast mounting bolts and sockets</li> <li>• Made from pre-painted white steel with 91% reflectance</li> </ul>	<ul style="list-style-type: none"> <li>• No need for ballast disposal - old ballast can stay in unit.</li> <li>• No need to measure for socket spacing (the socket slots are pre-punched).</li> </ul>
<b>Ease of Assembly with:</b> <ul style="list-style-type: none"> <li>• Snap-in polycarbonate sockets with security locking device</li> <li>• Tek screws (6 in 8 ft. units)</li> <li>• Support loop for hanging purposes</li> <li>• Pre-installed hanging wires</li> <li>• In Stock</li> </ul>	<ul style="list-style-type: none"> <li>• Provides an easy method to upgrade your existing strips to a more energy efficient system.</li> <li>• Unit can be completely wired on ground before actual installation.</li> <li>• Lamps are locked in place and cannot fall out.</li> <li>• No special tooling required.</li> <li>• Quick delivery or pick-up.</li> </ul>

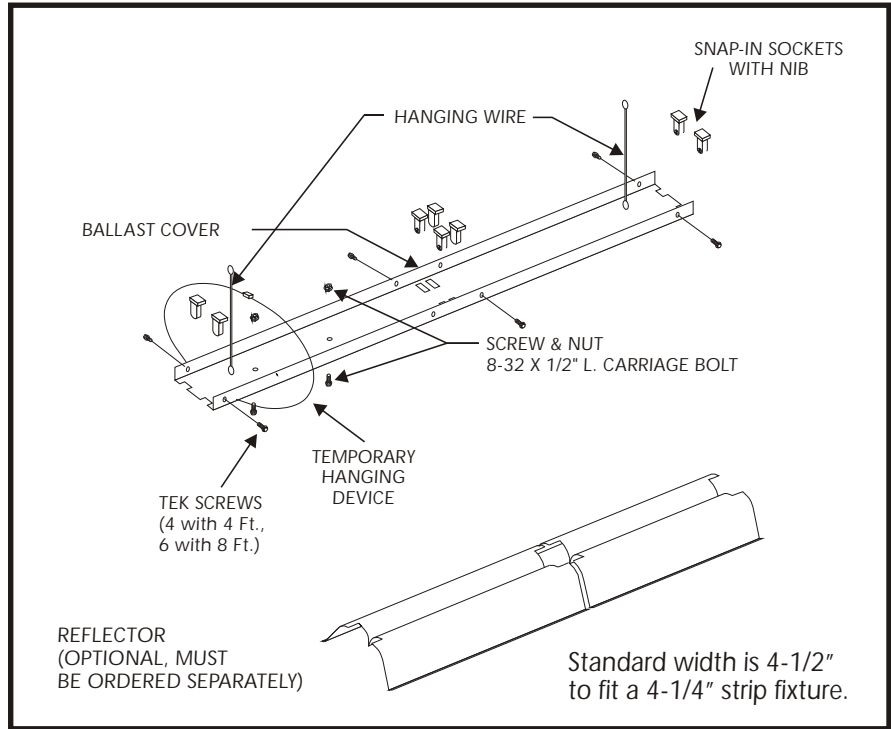
### To Order:

Catalog Number	Length of Ballast Cover	Number of Lamps	Conversion	Package (Per Ctn.)	Reflector Optional - Order Separately
CAS 82LH	8'	Two 4' Lamps Tandem	Converts one 8' T12 to two 4' T8	8	(2) RA 1004
CAS 84LH	8'	Four 4' Lamps Tandem	Converts two 8' T12 to four 4' T8	8	(2) RA 2004

NOTE: Convert-A-Strip units DO NOT come with a ballast and ARE NOT pre-wired.

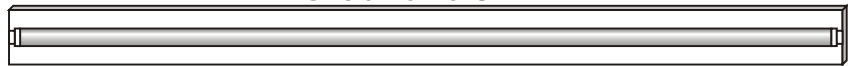
For more information, or to place an order, contact Customer Service.

# SPECIFICATIONS AND ORDERING



## Convert-A-Strip Configurations

Order CAS 82LH



Converts To

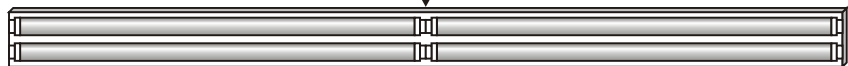


Single Lamp T12 to Two Lamp T8

Order CAS 84LH



Converts To



Double Lamp T12 to Four Lamp T8



**A.L.P.**

LIGHTING COMPONENTS, INC.  
WORLD HEADQUARTERS: CHICAGO, IL U.S.A.

Available from GoodMart

(877) 402-6100 • Fax: (347) 402-6100 • Buy online: [www.GoodMart.com](http://www.GoodMart.com)

© 1999 A.L.P. LIGHTING COMPONENTS INC., PRINTED IN THE U.S.A., CAS 108