



A.L.P.

**SNAP-IN LOW PROFILE POLYCARBONATE
MEDIUM BI-PIN ROTARY LOCKING LAMPHOLDERS
G13 BASE for T8, T10 and T12 FLUORESCENT LAMPS**

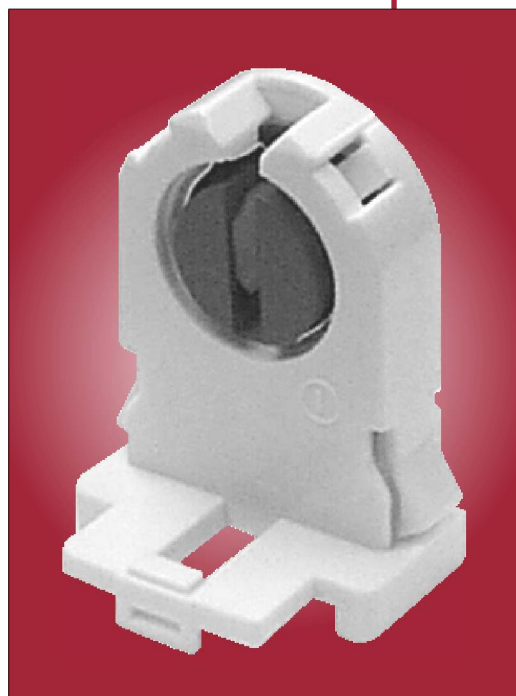
LH 200 / 201 Series

Rotary Locking Mechanism for Positive Contact

Suited for Retrofit Applications and where Lamps are subject to unusual Vibration Environments

FEATURES

- Insures proper lamp pin and lampholder alignment.
- Low profile
- Accommodates, T8, T10, T12 diameter lamps
- **Snap-in wing design** engages positive lock-in panel mounting.
Fits existing industry standard panel cutouts.
All lampholders accommodates panel thickness from **22 gauge up to 18 gauge.**
- For Pre-heat or rapid start ballast applications.
- **Internally shunted** (jumped) lampholders available for use in electronic instant start ballast applications
- **Superior polycarbonate construction.**
Higher heat resistance polycarbonate provides longer lampholder life.
- Multi point bronze phosphor contacts.
- Bottom wire entry.
- Quick wire push-in terminals, 2 per contact.
Accepts 18 gauge solid, overtinned (topcoat or prebond) leads, strip 3/8".
- **Nib versions available.**
Lampholders with nib provides positive retention when mounted in fixture.
- **Color Coded.**
Gray for Internally Shunted (Jumped) Instant Start Applications.
Burgundy for Rapid Start and Pre-heat Ballasts.



LH 200-10

LH 200 / 201 Series Lampholders	
Catalog Number	Features
LH 200-10	Instant Start, Internally Shunted (jumped), no Nib - Gray
LH 200-11	Pre-Heat and Rapid Start, no Nib - Burgundy
LH 200-12	Instant Start, Internally Shunted (jumped), with Nib - Gray
LH 200-13	Pre-Heat and Rapid Start, with Nib - Burgundy
T8 Only	
LH 201-10	Instant Start, Internally Shunted (jumped), no Nib, with T12 Stop - Gray
LH 201-11	Pre-Heat and Rapid Start, no Nib and T12 Stop - Burgundy
LH 201-12	Instant Start, Internally Shunted (jumped), with Nib and T12 Stop - Gray
LH 201-13	Pre-Heat and Rapid Start, with Nib and T12 Stop - Burgundy
Standard Carton Quantity - 1,000 Pieces	



LH 201-11

A molded stop in the face of the LH 201 Series lampholders prevents the accidental use of a T12 lamp. An added feature from A.L.P.

**Dimensional specifications on reverse side of sheet.
Contact Customer Service to order or for additional information.**

Some products are subject to special ordering requirements, consult factory.
ALP reserves the right to change specifications without notification.



T-8 Medium Bipin



T-10 Medium Bipin



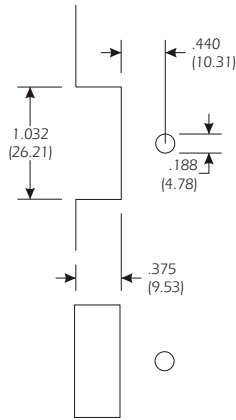
T-12 Medium Bipin

SPECIFICATIONS

Lampholder Details

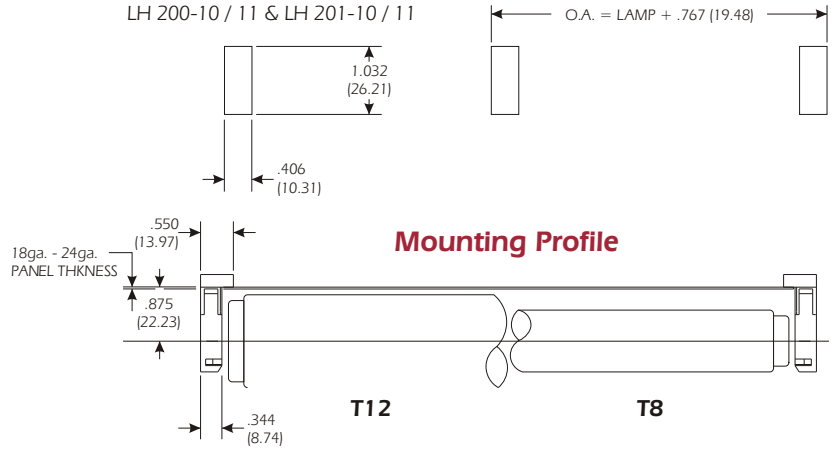


Mounting Slot with Nib
LH 200-12 / 13
LH 201-12 / 13



Mounting Details

Mounting Slot less Nib
LH 200-10 / 11 & LH 201-10 / 11



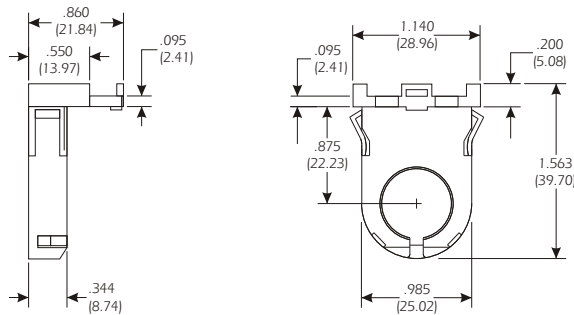
Mounting Profile

T12

T8

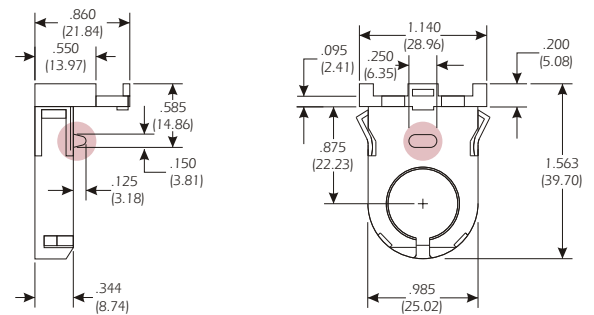
LH 200 Series, T8 and T12

LH 200-10, Internally Shunted (jumped), less Nib - Gray
LH 200-11, Pre-Heat and Rapid Start, less Nib - Burgundy

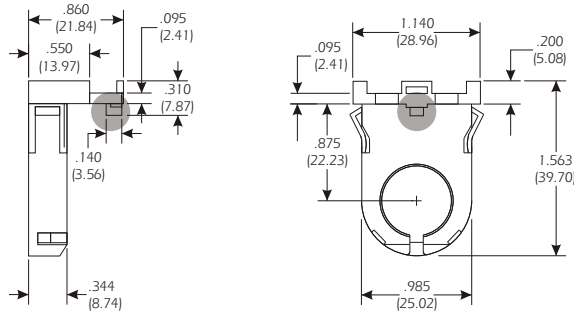


LH 201 Series, T8 Only

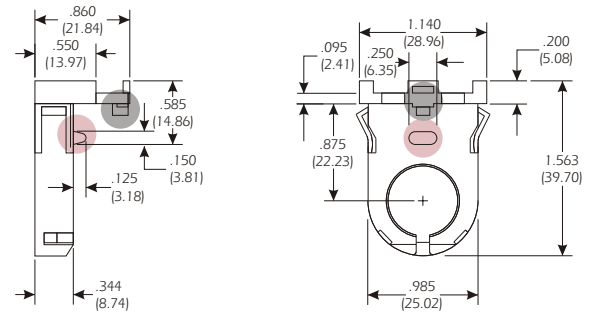
LH 201-10, Internally Shunted (jumped), less Nib - Gray
LH 201-11, Pre-Heat and Rapid Start, less Nib - Burgundy



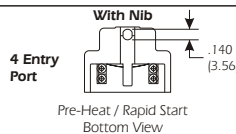
LH 200-12, Internally Shunted (jumped), with Nib - Gray
LH 200-13, Pre-Heat and Rapid Start, with Nib - Burgundy



LH 201-12, Internally Shunted (jumped), with Nib - Gray
LH 201-13, Pre-Heat and Rapid Start, with Nib - Burgundy

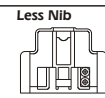


Wire Entries



4 Entry Port

Pre-Heat / Rapid Start Bottom View



2 Entry Port

Internally Shunted Bottom View

Nib Base ●

T12 Stop ●

Millimeter dimensions in parentheses



GLARE CONTROL SPECIALISTS

A.L.P.

LIGHTING COMPONENTS, INC.

CORPORATE HQ: CHICAGO, IL U.S.A.

WEB SITE: WWW.ALPG.COM

CENTRAL (Chicago) — (877) ALP-LTG1 • FAX: (800) 438-2500

WEST (Los Angeles) — (800) 545-6176 • FAX: (800) 545-6186

SOUTHEAST (Atlanta) — (404) 352-2110 • FAX: (800) 545-6192

EAST (Philadelphia) — (856) 486-0700 • FAX: (800) 545-6192

© 2000 A.L.P. LIGHTING COMPONENTS, INC., PRINTED IN THE U.S.A., LPRLLH 049