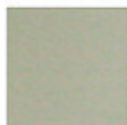


LED MINI SWIVEL SERIES

The LED Mini Swivel Series delivers bright white light with a lot of punch! The three-watt version is powerful enough to replace small can lights to highlight artwork. The one-watt styles recess into small spaces to make jewelry sparkle and back bars come to life. The LED Mini Swivel Series does not build up heat, keeping displays cool. These are especially useful in commercial recessed applications – save over 90% in running and maintenance costs over incandescent cans.



Black



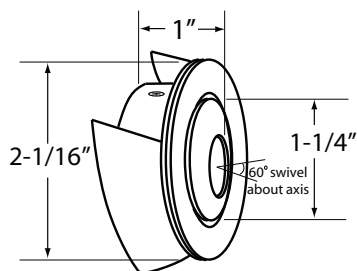
Brushed
Steel



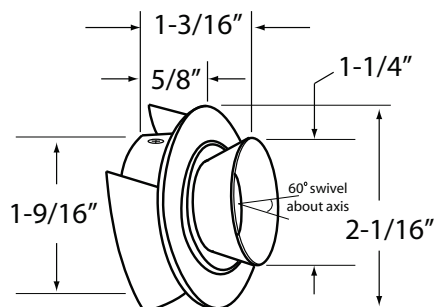
White

FEATURES

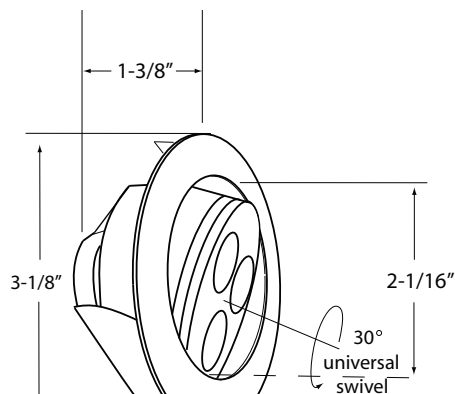
- Bright white (3100°K) LED light with accurate color rendering
- Powerful point source of light that swivels to direct light where you need it
- Produces minimal heat – helps keep displays cool
- Recess mount in sheetrock, wood and other materials
- Easy installation – no lamps to replace
- Save energy – available in 1.25 watts and 3.75 watts
- No harmful ultraviolet (UV) rays
- Link up to 36 watts to one power supply
- Long life LEDs (up to 60,000 hours)



LED Mini Swivel



LED Mini Visor



LED 3-watt Swivel



For added product flexibility, each LMV and LMS Mini Swivel light includes two optical lenses (optics). The one that is installed in the fixture is a spot (25° beam angle). If needed, the spot can be replaced with the 80° optic to create a flood.

TECHNICAL SPECIFICATIONS

Voltage	350mA, 50/60Hz DC operation
Construction	Die-cast aluminum alloy housing and heat sink, stainless steel clips
Dimensions	For LMS: H = 1/8" (recessed profile), Dia = 2-1/16", For LMV: H = 1/2" (recessed profile), Dia = 2-1/16" For LMS-3: H = 3/32" (recessed profile), Dia = 3-1/8"
Lead wires	78" length, 24AWG with 350mA molex connector for series wiring configuration
Switching	Use switched outlet to control On/Off functions
Cut-out	For LMS and LMV: 1-7/8" hole size, for LMS-3: 2-3/4" hole size
Wattages	LMS and LMV = 1.25 watts; LMS-3 = 3.75 watts
Maximum run	18 watts x 2 with LED-DR36-350D (dual output, 18 watts each)
LED specs	50,000 hour rated life, 350mA, high power (1-watt) LED, 3100°K, 85 CRI, 25° beam angle
Dimmers	Dimmable with most standard incandescent dimmers only when powered by LED-DR36-350D
Diffuser	All styles have clear acrylic lens covers installed with a beam angle of 25°. For LMS and LMV styles, an additional optional prismatic lens cover is included that can be replaced to change the beam angle to 80°
Swivel	LMS and LMV swivel about an axis, up to 90° and 30° respectively; LMS-3 has a universal swivel capability up to 30°

350

DC



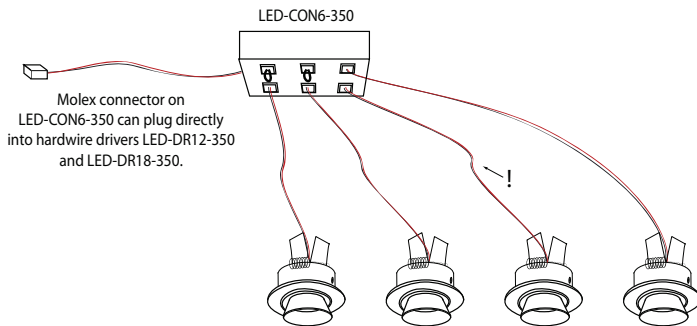
P/H



LED MINI SWIVEL SERIES

INSTALLATION EXAMPLE

Figure 1



!To add additional lead wire length to a light, splice in wire here (16-gauge or better) matching polarity.

BILL OF MATERIALS

See layout example at left and accessories list on facing page for assistance in determining a bill of materials.

- Determine total number and types to be used for the application
- Add up total wattage to determine how many drivers will be needed
- Order one LED-DR10-350PI (plug-in) or LED-DR10-350 (hardwire) for each set of 10 watts or less
- Order one LED-DR12-350 for each set, up to 12 watts
- Order one LED-DR18-350 for each set, up to 18 watts
- Order one LED-DR36-350D for each set, up to 36 watts
- Order LED-CON2-350 (or other series connector with enough ports in the same quantity as Mini Swivels)
- Order one TL-CONBLK2 and one FSL-BOX for each plug-in driver (LED-DR10-350PI)

Bill of materials for Figure 1:

- (4) LMV-AL
- (1) LED-CON6-350
- (1) LED-DR10-350PI
- (1) TL-CONBLK2
- (1) FSL-BOX

ORDERING INFORMATION

PRODUCT

LMS	—	<input type="text"/>
LED		AL = Satin Aluminum
Mini		BK = Matte Black
Swivel		WH = White

LMV	—	<input type="text"/>
LED		AL = Satin Aluminum
Mini		BK = Matte Black
Visor		WH = White

LMS-3	—	<input type="text"/>
LED		AL = Satin Aluminum
3-Watt		BK = Matte Black
Swivel		WH = White

THREE LIGHT KITS

<input type="text"/>	—	3KIT	—	<input type="text"/>
LMS				AL = Satin Aluminum
LMV				BK = Matte Black
LMS-3				WH = White

REQUIRED

LED	—	<input type="text"/>
Power		CON2-350
Accessories		CON3-350
		CON6-350
		CON6-350HW
		END-350

LED	<input type="text"/>
LED	DR36-350D
Driver	DR18-350
	DR12-350
	DR10-350PI

OPTIONAL

TL-CONBLK2

Connector Block

FSL-BOX

Junction Box

ACCESSORIES

pg 121		LED-DR36-350D	Dimmable hardwire driver, 10"L x 3-1/8"W x 3"H Constant current, 350mA, 1-36 watts (two 18 watt circuits) stainless steel enclosure with 1/2" knockouts, UL Listed
pg 121		LED-DR18-350	Hardwire constant current (350mA) LED driver, Class 2, 1-18 watts, 6"L x 2-5/8"W x 1-3/16"H c/UR/us Listed
pg 121		LED-DR12-350	Hardwire constant current (350mA) LED driver, Class 2, 1-12 watts, 6-5/8"L x 1-1/2"W x 1-3/16"H c/UR/us Recognized
pg 121		LED-DR10-350PI	Plug-in constant current (350mA), LED driver 1-10 watts, Ten foot 18AWG leads, 3-7/8"L x 1-1/2"W x 2-3/16"H (with plug) c/UL/US Listed
-		LED-CON2-350	Power extension connector, required to complete the series wiring configuration 1-3/8"L x 3/4"W x 1/2"H, 38" lead wire
-		LED-CON3-350	Power extension connector, required to complete the series wiring configuration for sets of three, includes one LED-END-350
-		LED-CON6-350HW	Hardwire power connection hub, required to complete the series wiring configuration for sets up to six, includes three LED-END-350s
-		LED-CON6-350	Power connection hub, required to complete the series wiring configuration for sets up to six
-		FSL-BOX	Junction box for housing connector block (TL-CONBLK2) for use with LED-DR10-350PI 2-3/16"L x 1-7/8"W x 15/16"H
-		TL-CONBLK2	Connector block for use with LED-DR10-350PI 13/16"L x 13/16"W x 11/16"H
-		LED-END-350	LED end series cap for use with LED-CON2-350 (for single light systems) or when additional end series caps are needed