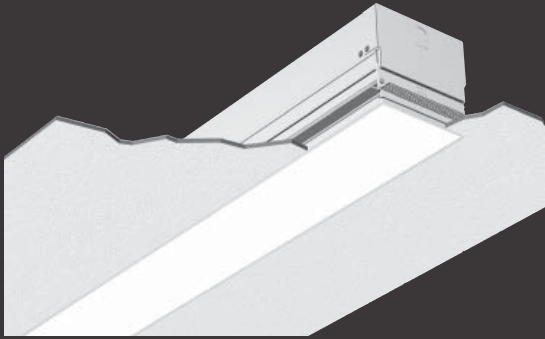


Grüv® 6"

High Efficiency

Recessed Linear LED



Features

Designed to provide high-performance, visually comfortable, high efficient ambient lighting with a 6" aperture for commercial and office environments. Featuring improved extruded aluminum and steel construction, superb aesthetics, lower costs and shorter lead times. Grüv 6 HE is more effective and aesthetically appealing than many recessed linear fixtures available today. Offering 5 or 10 watts per foot. Available for gyp board or grid ceilings (TechZone compatible).

Product Overview

Type:	Recessed Lens Direct
Wattage:	5W/ft, 10W/ft (other wattages available see p2)
Lumen Output:	3,671 max; 96.7 Lm/W (10W, 4ft fixture)
Color Temp:	2700K, 3000K, 3500K, 4000K
CRI:	83 typ. (2700K, 3000K, 3500K, 4000K)
Dimming:	0-10V, 1% dimming (standard) Lutron Hi-lume® 3 wire, 1% dim Lutron Hi-lume® EcoSystem, 1% dim Lutron Hi-lume® 2 wire (120V only) Lutron Hi-lume® EcoSystem, 1% dim, fade to off Lutron Hi-lume® 5 Series DALI dimming, 0.1% dim

PROJECT:

TYPE:

Fixture Summary *(see following pages for more information)*

Ceiling Types

4" Tech Zone	6" Tech Zone	9/16"	15/16"	Gyp Board	Millwork
No	Yes	Yes	CF	Yes	Yes

Perimeter J-Mold
Yes

Performance Chart

Wattage Per Foot	Delivered Lumens	LPW	Color Temp
5	2,077	103.4	3500K
10	3,671	96.7	3500K

Data is based on 3500K-83 IES files available on website

Data is based on 4' fixture with Designer Lens

Electrical Data

Wattage Per Foot		4'		8'	
		System Watts	Amps	System Watts	Amps
5	120V	22.3	0.18	41.9	0.35
	277V	22.9	0.09	41.6	0.16
10	120V	42.1	0.30	84.2	0.70
	277V	41.5	0.15	83.0	0.30

Electronic multi-volt (120V-277V), constant current LED driver

Standard Patterns

"L"	"J"	"U"	"O"	"Z"	Wall to Ceiling	Custom*
Yes	Yes	Yes	Yes	Yes	No	Yes

* Submit drawing, consult factory



Grüv® 6" High Efficiency

Recessed Linear LED



PROJECT:

TYPE:

Ordering Information



- 1** Model
GRUV6-HE-FLG-A16* - exposed flanged
GRUV6-HE-FLG-GRID-A16* - flanged, grid mount
GRUV6-HE-GB-A16* - gyp board trimless, mud-in
GRUV6-HE-GRID-A16* - grid mount
GRUV6-HE-IS-A16* - independently suspended
GRUV6-HE-J/GB-A16* - j-mold/gyp board trimless
GRUV6-HE-J/GRID-A16* - j-mold/grid
GRUV6-HE-J/IS-A16* - j-mold/independently suspended

- 2** Optics
DL - designer lens
PL - performance lens

- 3** Wattage (per foot)
Standard:
5 - 5W/ft
10 - 10W/ft
Optional:
3 - 3W/ft (4' minimum length required)
4 - 4W/ft (4' minimum length required)
6 - 6W/ft
7 - 7W/ft
8 - 8W/ft
9 - 9W/ft

- 4** Color Temp
83 CRI:
27 - 2700K-83
30 - 3000K-83
35 - 3500K-83
40 - 4000K-83
92 CRI optional, consult factory

- 5** Finish
HW - high reflectance white

- 6** Voltage
120/277

7 Length

(Length A)	(Length B)	(Length C)
Length A (used for)	Length B (used for)	Length C (used for)
- all patterns	- all patterns	- PU
- IND/IND-S+	- PR - 2 lengths	- PZ
- CON/CON-S+	of 2	
- CUS		

- 8** Configuration
IND¹ - individual fixture, 2' to 8' in 1' increments
IND-S+ - individual with standard plus (see pg7, not for Flanged versions)
CON - continuous run > than 8', specify to nearest foot
CON-S+ - continuous run with standard plus (see pg7, not for Flanged versions)
CUS - custom made to measure, +/- 1/8" of customer supplied field dimensions
Standard Patterns (see page 8 for details):
PLL - L left, (2) straights + (1) 90° corner, leg right
PLR - L right, (2) straights + (1) 90° corner, leg left
PU - U shape, (3) straight lengths + (2) 90° corners
PR - rectangle, (4) straight lengths + (4) 90° corners
PZ - Z shape, (3) straight lengths + (2) 90° corners
Custom Patterns:
PC - please provide drawings and consult factory

- 9** Drivers
O-10V - 1% electronic dimming, multi-volt (120V-277V) constant current driver (standard).
HILUME-A-DH - Lutron "A" Series, 1% dim, 3-wire (Dim Hot)
HILUME-A-ECO - Lutron "A" Series, 1% dim, EcoSystem
HILUME-A-LTE - Lutron "A" Series, 1% dim, 2-wire, 120V only
HILUME-H-ECO - Lutron "H" Series, 1% dim, fade to off, EcoSystem
HILUME-5-ECO - Lutron "5" Series, EcoSystem
DALI - DALI Dimming 120V-277V, 0.1% dim

- 10** Options/Accessories
CP - Chicago Plenum (CCEA)
ENLS - Enlighted Sensor (O-10V driver only and not available on 2' & 3' lengths)
WHIP - 6' whip, 18/5 conductor
EMC-PF² - emergency circuit requires power feed located in last fixture section (for other locations consult factory)
PF² - Extra power feed for additional circuiting

1 - Lengths less than 4' may have restrictions based upon wattage, lengths, drivers or other options.

2 - Not available with IND (individual) configuration.

* The "A" refers to the sequential revision in a year and "XX" refers to the year of update. Updates coincide with improved performance while not changing the overall fixture aesthetic and are reflected in the published performance data. Please contact your Amerlux representative for explanations of changes.

Grüv® 6" High Efficiency

Recessed Linear LED



PROJECT:

TYPE:

Specifications

Application

Commercial and retail recessed ambient lighting can be customized with made to measure lengths, patterns, ceilings or wall mounted fixtures.

Construction

Heavy gauge steel upper housing is secured to aluminum extruded trim rails. Die-formed, cold-rolled steel internal components and external mounting brackets. Numerous configurations accommodate most architectural ceiling conditions.

Optical

All lenses are snap-in, extruded acrylic, with a maximum length of 8'. Amerlux's proprietary acrylic lens provide excellent transmission while effectively concealing source image.

DL - Designer Lens provides flat even glow on lens. Best when lens is in direct or constant view.

PL - Performance Lens provides high efficiency with some control and brightness

LED

Amerlux's boards and patented connector design with brand name LEDs enables Amerlux fixtures to have excellent thermal management and offer a 10 year warranty. Our LED binning is within 3 MacAdam ellipse. Boards are configured for maximum flexibility resulting in even illumination no matter the fixture layout. LED boards are easily replaced in the field with just a Phillips screw driver.

Color Temperature Options:

2700K, 3000K, 3500K, 4000K

CRI: 83 typical, 92 optional - consult factory

R9: 16 @ CRI 83

R9: >50 @ CRI 92

Life: 50,000+ hr., > 70% of initial lumens (L70)

Electrical

Wiring: Supply wires are easily accessible through access plate on top of fixture.

WHIP: Optional factory installed 6' Greenfield whip (18/5 conductor) simplifies installation.

Standard Wattage: 5W/ft, 10W/ft.

Optional Wattages: 3W/ft, 4W/ft, 6W/ft, 7W/ft, 8W/ft, 9W/ft. (3W & 4W have a minimum length of 4'). For other wattages consult factory.

Emergency circuit via remote inverter or auxiliary emergency power supply (by others).

This product complies with IEEE C62.41 for surge endurance up to 2.5KV. Amerlux® recommends using additional surge protection with this unit (supplied by others), surge and over voltage damage is not covered under warranty.

EMC-PF - Emergency circuit requires power feed wire harness to be located in last fixture section for continuous runs. For other locations consult factory. Not available for individual (IND) configuration.

PF - Extra power feed wire harness for additional circuiting. Not available for individual (IND) configuration.

Drivers

0-10V - 1% electronic dimming, multi-volt (120V-277V) constant current driver (standard). Cap leads for non-dim applications.

Optional Drivers:

HILUME-A-DH - Lutron "A" Series, 1% dim, 3-wire (Dim Hot)

HILUME-A-ECO - Lutron "A" Series, 1% dim, EcoSystem

HILUME-A-LTE - Lutron "A" Series, 1% dim, 2-wire, 120V only

HILUME-H-ECO - Lutron "H" Series, 1% dim, fade to off, EcoSystem

HILUME-5-ECO - Lutron "5" Series, EcoSystem

DALI - DALI Dimming 120V-277V, 0.1% dim

Finish

HW - High reflectance, matte white powder coat paint. Baked on finish for maximum durability and color stability.

Configurations/Lengths

IND - Individual fixtures are made of single standard lengths of 2 ft to 8 ft (in 1' increments). These are stand alone fixtures with matching End Caps, supplied with the mounting hardware. Lengths less than 4' may have restrictions based upon wattage, lengths, drivers or other options.

CON - Continuous runs, > 8', specified to nearest whole foot length in 1' increments. Runs made from standard lengths have End Caps at the beginning and end of run. Runs > 60' may require second power feed. Each Housing has factory installed alignment pins. Mating fixtures are easily aligned and joined with "catch and latch" mechanisms out of sight, on top of the Housing. Wiring is made fast and positive with molded quick connectors.

S+ - Standard Plus is a field cuttable filler bracket that can be used when an Individual fixture or a Continuous run isn't to the nearest foot (+3/4" to 6" max per end). *See page 7 for details.*

CUS - Custom made to measure runs are made to nearest 1/8" of customer supplied field measurements or drawings. Custom lengths use the same hardware for hairline joining.

PXX - Standard Patterns consist of 90° corners with standard lengths (4' to 8' in 1' increments), continuous runs or made to measure lengths. Depending upon complexity of the pattern drawings may be required from the Customer. If ordering please give overall lengths.

A'-B'-PLL - L Left - (1) 90° Corner 2 segments. Specify overall segments: A' & B'

A'-B'-PLR - L Right - (1) 90° Corner 2 segments. Specify overall segments: A' & B'

A'-B'-PR - Rectangle - (4) 90° Corners joining 4 segments. Specify overall segments: A' & B'

A'-B'-C'-PU - U shape - (2) 90° Corners joining 3 segments. Specify overall segments: A', B', & C'

A'-B'-C'-PZ - Z shape - (2) 90° Corners joining 3 segments. Specify overall segments: A', B', & C'

See page 8 for layouts.

PC - Custom Patterns may use standard lengths, Made To Measure, 90° or other corners (some limitations). Please provide drawing and consult factory.

Please note: Corners have lit mitered Lens.

Mounting

Intended for use in gypsum board, 9/16" Tee grid and Screw Slot, and millwork ceilings. Wall mounting J-Molding details available. For individual, continuous row, or pattern applications.

Please note - fixtures to be installed before gypsum board ceiling.

GRUV6-HE-FLG-A16 - exposed flange, fixture into gypsum board ceiling

GRUV6-FLG-GRID-A16 - exposed flange grid mount, fixture in 9/16" Flat Tee ceilings. *Consult factory for 15/16" ceilings.*

GRUV6-HE-GB-A16 - gyp trimless mud, fixture plastered in gypsum board ceiling

GRUV6-HE-GRID-A16 - grid mount, in 9/16" Screw Slot or Flat Tee ceilings (compatible with 6" TechZone™ & other 6" wide architectural ceiling systems)

GRUV6-HE-IS-A16 - independently suspended, fixture in wood ceiling

GRUV6-HE-J/GB-A16 - J mold/gyp trimless, plastered in ceiling - J Channel wall side

GRUV6-HE-J/GRID-A16 - J mold/grid, in 9/16" Screw Slot or Flat Tee ceilings - J Channel wall side

GRUV6-HE-J-IS-A16 - J mold/independently suspended in ceiling - J Channel wall side.

Certifications

Approved to UL standards for damp locations as tested by CSA
Intended for indoor use only
Chicago Plenum (CCEA) optional

Warranty

Amerlux's 5 year limited warranty. Please consult Amerlux website for details.

Grüv® 6" High Efficiency

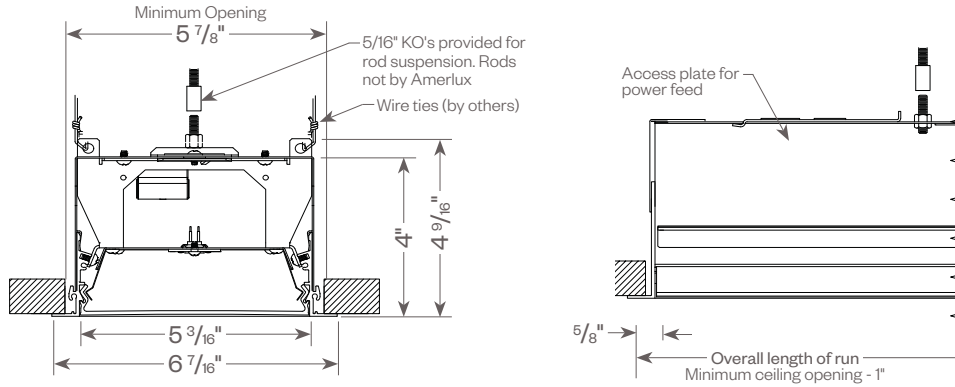
Recessed Linear LED



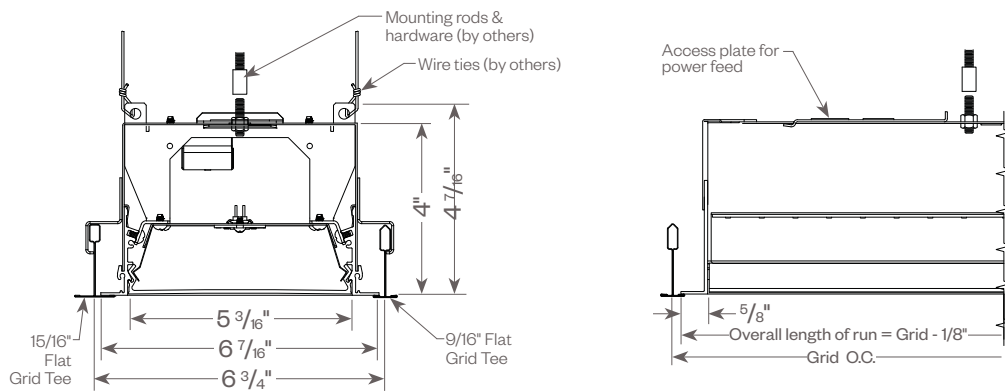
PROJECT:

TYPE:

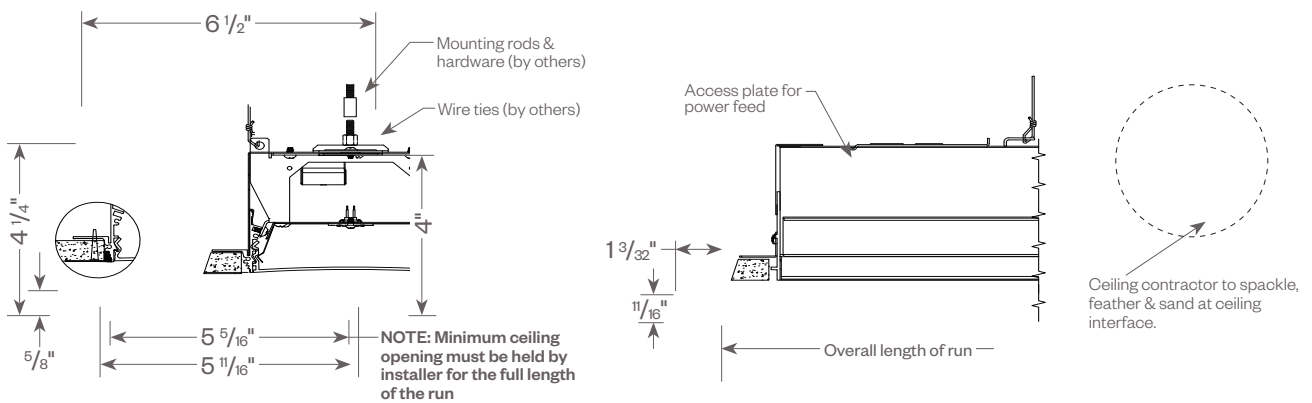
GRUV6-HE-FLG (exposed flange)



GRUV6-HE-FLG-GRID (flanged, grid mount)



GRUV6-HE-GB (gyp board trimless mud-in) Compatible (see pg 7)



Grüv® 6" High Efficiency

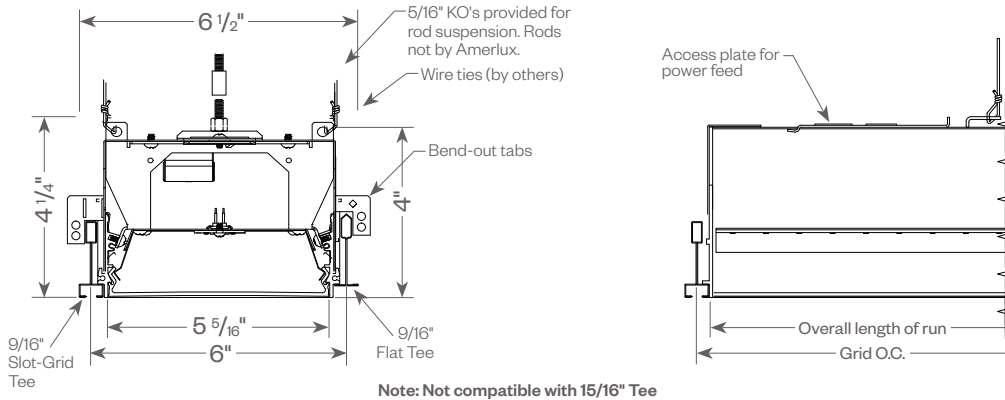
Recessed Linear LED



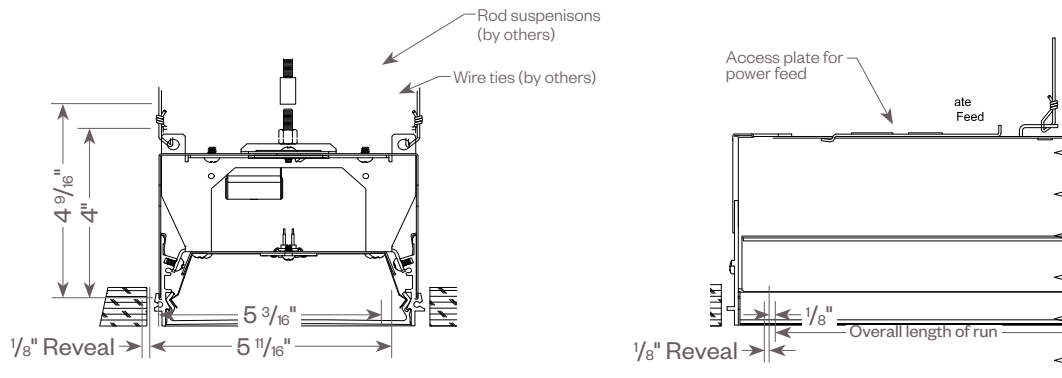
PROJECT:

TYPE:

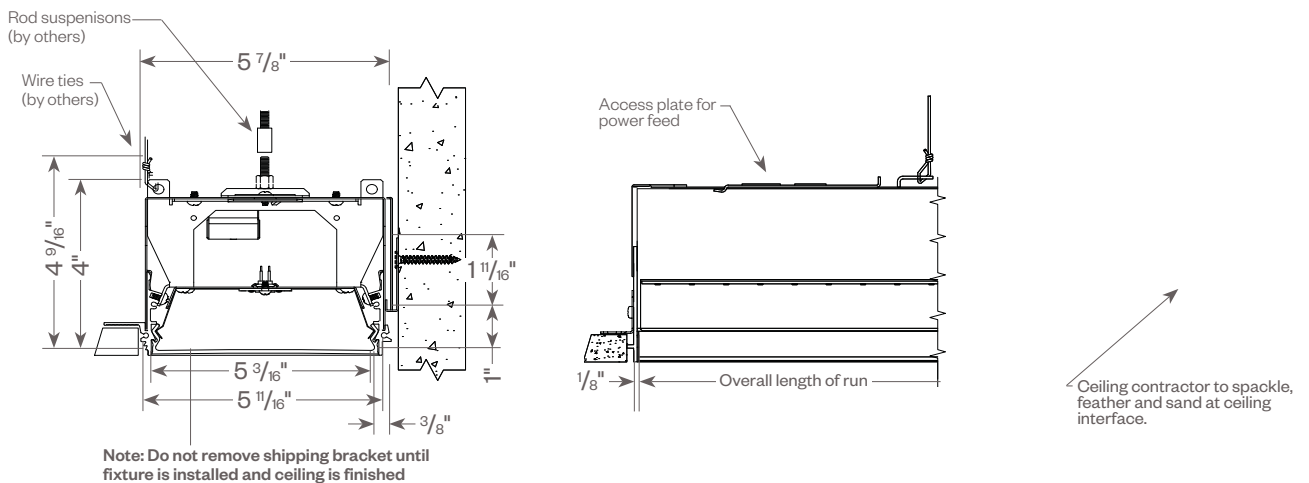
GRÜV6-HE-GRID (grid mount) Compatible (see pg 7) **6" TechZone compatible**



GRÜV6-HE-IS (independently suspended) Compatible (see pg 7)



GRÜV6-HE-J/GB (j-mold/gyp board trimless) Compatible (see pg 7)



Grüv[®] 6" High Efficiency

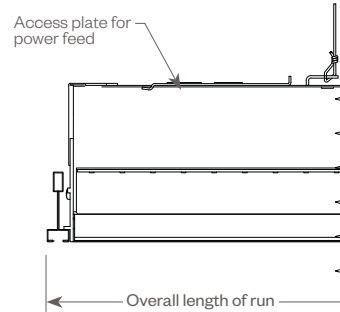
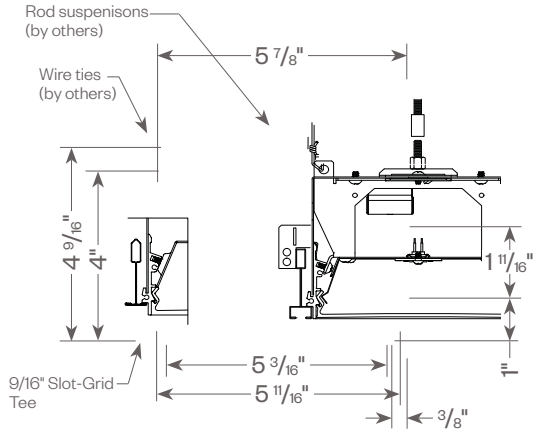
Recessed Linear LED



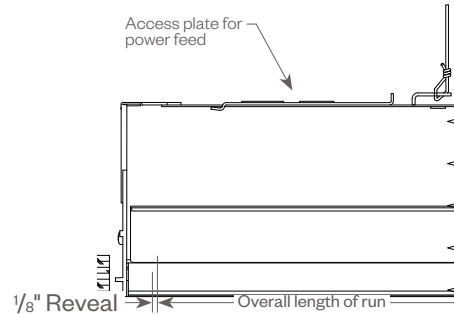
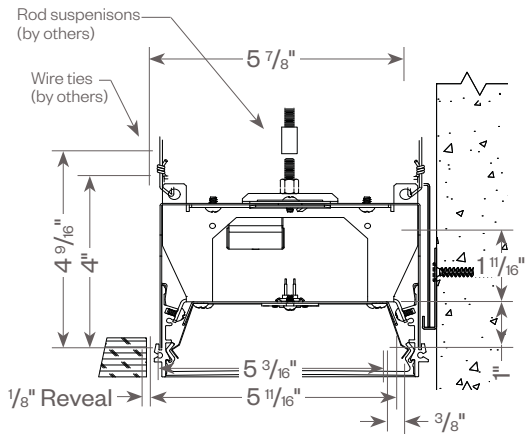
PROJECT:

TYPE:

GRÜV6-HE-J/GRID (j-mold/grid mount) Compatible (see pg 7)



GRÜV6-HE-J/IS (j-mold/independently suspended) Compatible (see pg 7)



Grüv® 6" High Efficiency

Recessed Linear LED



PROJECT:

TYPE:



STANDARD PLUS (FILLER):

Whenever a continuous run is less than a foot to the next full foot length consider ordering Standard Plus field cuttable bracket for a perfect look. Fits gypsum board, 9/16" Slot Grid and 9/16" T grid. It snaps in place easily from below and gets you close to the wall with a standard fixture. Saves time and money compared to made-to-measure.



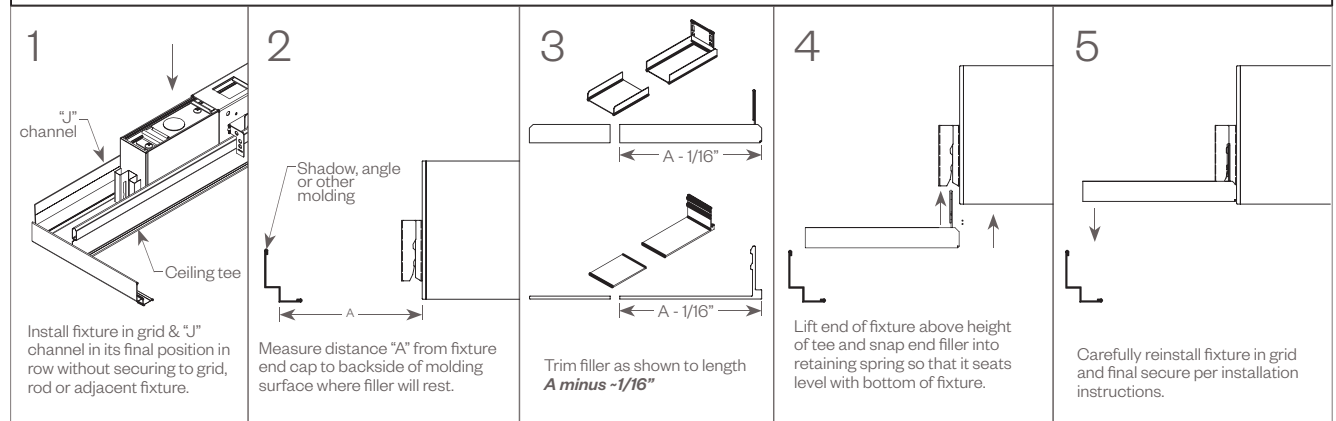
GRID VERSION



GYP VERSION

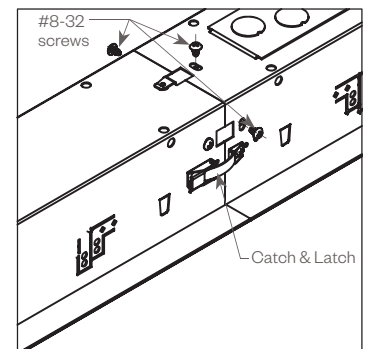
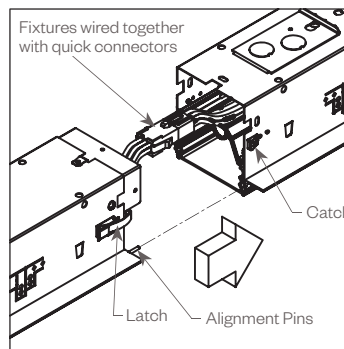
NOTE: Use with Gruv6-HE-GB, Gruv6-HE-Grid, Gruv6-HE-IS, Gruv6-HE-J/GB, Gruv6-HE-J/Grid and Gruv6-HE-J/IS

FILLER TRIM AND INSTALLATION (GRUV 1.5 GRID SHOWN HERE)



TOOLLESS JOINING

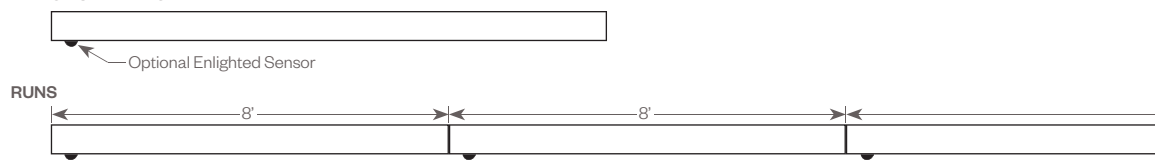
Line up the two housings by using the alignment pins. Secure them together by using the Catch & Latch System on the side of the extrusion.



OPTIONAL ENLIGHTED SENSOR:

Amerlux® and Enlighted have partnered to create building environments that are safer, and smarter, than ever before. At the heart of our partnership is Enlighted's Smart Sensor, the most advanced digital sensor available today. Integrated into Amerlux products, the sensor seamlessly collects and communicates dense data on building security, occupancy, performance, environmental conditions, ambient light levels, temperature, and energy consumption. This intelligence provides building managers with unprecedented guidance on cost savings and site-planning efficiencies. Enlighted Sensor (ENLS) is available with 0-10V driver only. Minimum run length is 4'. Enlighted power pack is provided with ENLS option.

4 FT OR 8 FT DIRECT



Grüv[®] 6" High Efficiency

Recessed Linear LED



PROJECT:

TYPE:

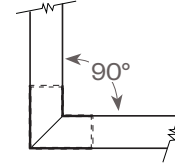
GRUV 6" PATTERNS:

Standard Patterns

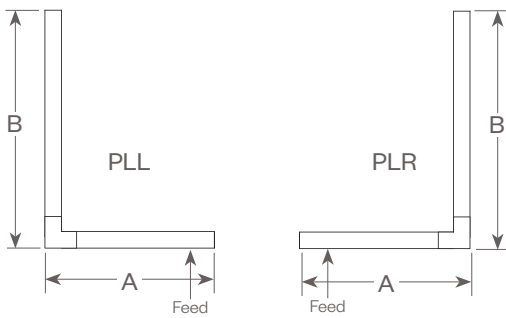
All corners are standard 90°, standard length legs.
 Use standard lengths: 4' min to 8' in 1 foot increments.
 Continuous runs must be the same length in pairs for closed configuration.

Custom Patterns

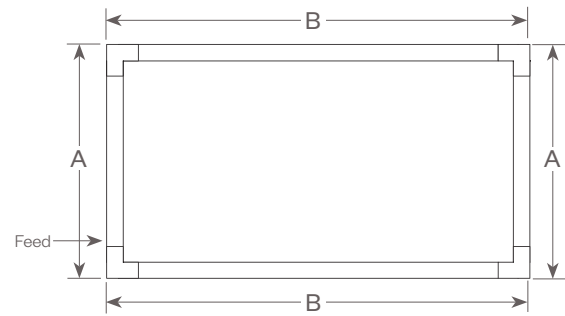
Please provide drawings of your configuration.
 Made to Measure: +/- 1/8", consult factory.
 PC - custom pattern, please provide drawings and consult factory



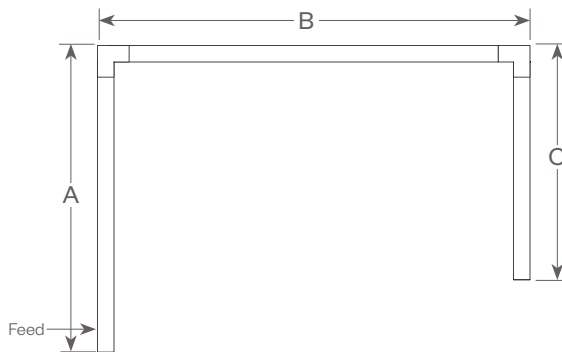
Gruv 6 Lens
Mitered Lens



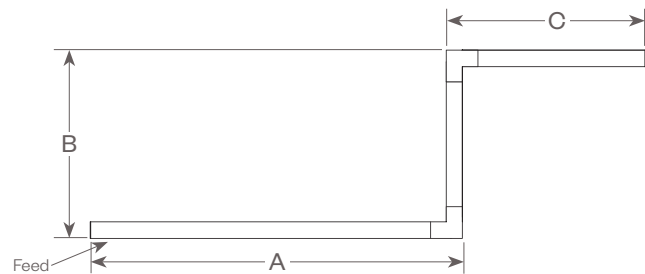
PLL - L Left, (2) straights + (1) 90° corner, leg right
PLR - L Right, (2) straights + (1) 90° corner, leg left
 Provide overall lengths: A' & B'
 Nomenclature: A-B-PLL A-B-PLR



PR - Closed Rectangle, (4) straight lengths + (4) 90° corners
 Provide overall lengths: A' & B'
 Nomenclature: A-B-PR



PU - Open U, (3) straight lengths + (2) 90° corners
 Provide overall lengths: A', B' & C'
 Nomenclature: A-B-C-PU



PZ - Open Z, (3) straight lengths + (2) 90° corners
 Provide overall lengths: A', B' & C'
 Nomenclature: A-B-C-PZ

Grüv® 6" High Efficiency

Recessed Linear LED



PROJECT:

TYPE:

FIXTURE DATA: (Complete photometric data (.ies format) available upon request)

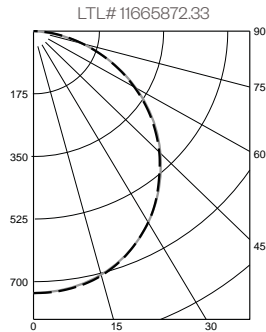
MULTIPLYING FACTORS: (Multiplying Factor is based on 3500K-83 120V IES file on website)

Wattage:	3W	4W	5W	6W	7W	8W	9W
Factor:	0.63	0.82	1.0	1.17	1.34	1.50	1.64

CCT:	2700K-83	3000K-83	3500K-83	4000K-83
Factor:	0.87	0.93	1.0	1.08

GRÜV 6" HE DESIGNER LENS 5W 3500K 4FT

Total Watts: 20
Total Lumens: 2,077
Source: 120 White LED's



ZONAL LUMEN SUMMARY

Zone	Lumens	%Fixt
0-40	931	44.8
0-60	1636	78.8
0-90	2077	100.0
90-180	0	0.0

Luminaire Efficacy = 103.4 lm/w

COEFFICIENTS OF UTILIZATION

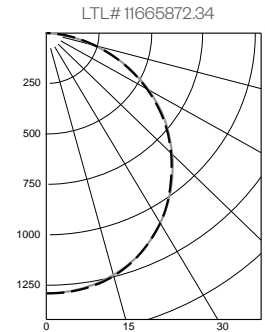
Effective Floor Cavity Reflectance 20%

RC	80			
RW	70	50	30	10
RCR				
0	2415	2415	2415	2415
1	2201	2110	2028	1954
2	1997	1839	1708	1596
3	1817	1616	1457	1330
4	1663	1432	1261	1128
5	1529	1281	1104	972
6	1412	1154	977	849
7	1310	1047	874	750
8	1221	957	787	669
9	1141	879	715	603
10	1071	812	653	546

Note: Values expressed as Lumens delivered to the task surface.

GRÜV 6" HE DESIGNER LENS 10W 3500K 4FT

Total Watts: 38
Total Lumens: 3,671
Source: 120 White LED's



ZONAL LUMEN SUMMARY

Zone	Lumens	%Fixt
0-40	1641	44.7
0-60	2888	78.7
0-90	3671	100.0
90-180	0	0.0

Luminaire Efficacy = 96.7 lm/w

COEFFICIENTS OF UTILIZATION

Effective Floor Cavity Reflectance 20%

RC	80			
RW	70	50	30	10
RCR				
0	4268	4268	4268	4268
1	3888	3728	3584	3453
2	3527	3249	3017	2819
3	3211	2854	2573	2348
4	2937	2529	2226	1991
5	2701	2262	1949	1716
6	2495	2038	1725	1498
7	2314	1849	1542	1324
8	2156	1689	1389	1181
9	2016	1551	1261	1063
10	1892	1433	1153	964

Note: Values expressed as Lumens delivered to the task surface.

Grüv® 6" High Efficiency

Recessed Linear LED



PROJECT:

TYPE:

FIXTURE DATA: (Complete photometric data (.ies format) available upon request)

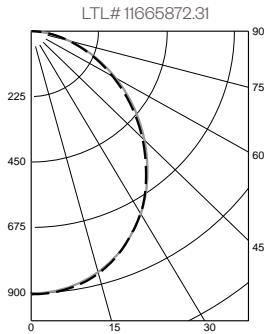
MULTIPLYING FACTORS: (Multiplying Factor is based on 3500K-83 120V IES file on website)

Wattage:	3W	4W	5W	6W	7W	8W	9W
Factor:	0.63	0.82	1.0	1.17	1.34	1.50	1.64

CCT:	2700K-83	3000K-83	3500K-83	4000K-83
Factor:	0.87	0.93	1.0	1.08

GRÜV 6" HE PERFORMANCE LENS 5W 3500K 4FT

Total Watts: 20
Total Lumens: 2,304
Source: 120 White LED's



ZONAL LUMEN SUMMARY

Zone	Lumens	%Fixt
0-40	1105	48.0
0-60	1865	80.9
0-90	2304	100.0
90-180	0	0.0

Luminaire Efficacy = 114.7 lm/w

COEFFICIENTS OF UTILIZATION

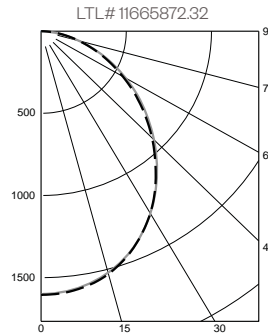
Effective Floor Cavity Reflectance 20%

RC	80			
RW	70	50	30	10
RCR				
0	2679	2679	2679	2679
1	2450	2354	2266	2187
2	2232	2064	1923	1803
3	2039	1822	1652	1515
4	1871	1622	1437	1294
5	1724	1456	1265	1122
6	1596	1316	1125	986
7	1483	1197	1009	875
8	1383	1096	912	784
9	1295	1009	830	708
10	1216	933	760	644

Note: Values expressed as Lumens delivered to the task surface.

GRÜV 6" HE PERFORMANCE LENS 10W 3500K 4FT

Total Watts: 38
Total Lumens: 4,079
Source: 120 White LED's



ZONAL LUMEN SUMMARY

Zone	Lumens	%Fixt
0-40	1956	48.0
0-60	3299	80.9
0-90	4079	100.0
90-180	0	0.0

Luminaire Efficacy = 107.5 lm/w

COEFFICIENTS OF UTILIZATION

Effective Floor Cavity Reflectance 20%

RC	80			
RW	70	50	30	10
RCR				
0	4743	4743	4743	4743
1	4338	4167	40412	3872
2	3952	3653	3404	3192
3	3609	3225	2924	2681
4	3312	2872	2544	2291
5	3052	2577	2239	1987
6	2825	2330	1991	1745
7	2625	2120	1786	1549
8	2449	1940	1614	1388
9	2292	1786	1470	1253
10	2153	1652	1346	1140

Note: Values expressed as Lumens delivered to the task surface.

Grüv[®] 6" High Efficiency

Recessed Linear LED



PROJECT:

TYPE:

DIMMING COMPATIBILITY:

Amerlux[®] Gruv fixtures are compatible with all major dimming protocols prevalent in the United States. Please see below for general compatibilities and wiring diagrams. Amerlux recommends testing your unique dimming configuration as the exact full configuration (Dimmer, Fixture Quantity, Voltage, etc) may affect dimming performance.

--- NOTE: INFORMATION BELOW IS FOR WIRED DIMMERS ONLY. FOR WIRELESS DIMMERS, CONSULT FACTORY ---

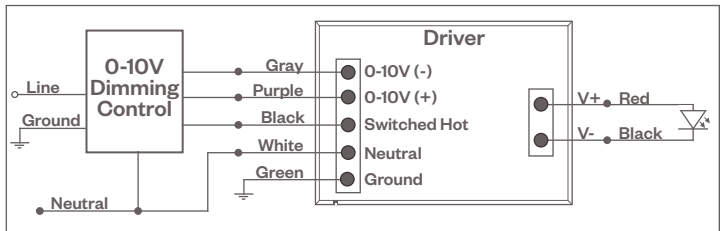
0-10V - DIMMING (Standard)

Integrates into a variety of building management and daylighting controls

Notes:

- 120V or 277V*
- Dims down to 1% light output
- Requires interface to turn off power to driver
- Consult Dimming manufacturer for installation instructions - DO NOT SHARE NEUTRALS!

0-10V Wiring Diagram



Compatible Dimmers

Wall Box

Lutron "Diva" - DDTV with PP-120H Interface

Leviton Renoir II 0-10v

Central System

Lutron Grafik Eye with GRX-TV1 Interface

LUTRON HI-LUME DIMMING

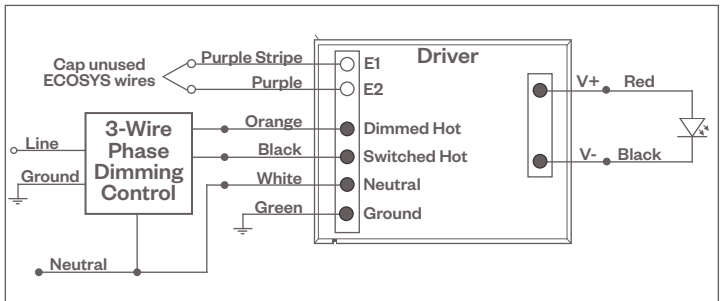
Integrates into Lutron EcoSystem building management

Notes:

- 120V or 277V*
- Dims down to less than 5% light output
- May use 3-Wire or EcoSystem Control
- Consult Dimming manufacturer for installation instructions - DO NOT SHARE NEUTRALS!

HILUME-A-DH

3-Wire Wiring Diagram



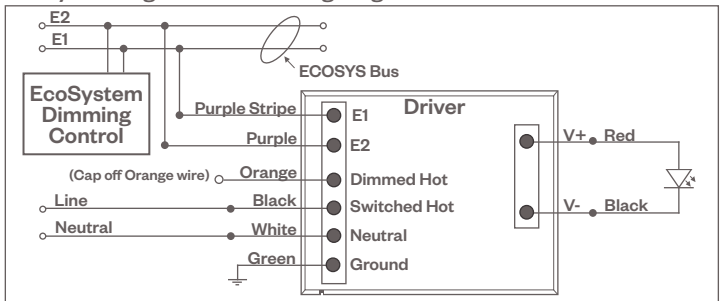
Compatible Dimmers

Wall Box (3-Wire Fluorescent)

DIVA
Maestro
Nova T
Vareo

HILUME-A-ECO, HILUME-H-ECO, HILUME-5-ECO

EcoSystem Digital Control Wiring Diagram



Central System

Lutron EcoSystem compatible controls

Notes:

* Driver is 277V dimmable with appropriate dimmer (by others). All provided wiring diagrams show 120V wiring colors and method. Please refer to 277V dimmer installation instructions for 277V wiring diagrams.

Grüv[®] 6" High Efficiency

Recessed Linear LED



PROJECT:

TYPE:

DIMMING COMPATIBILITY:

Amerlux[®] Gruv fixtures are compatible with all major dimming protocols prevalent in the United States. Please see below for general compatibilities and wiring diagrams. Amerlux recommends testing your unique dimming configuration as the exact full configuration (Dimmer, Fixture Quantity, Voltage, etc) may affect dimming performance.

--- NOTE: INFORMATION BELOW IS FOR WIRED DIMMERS ONLY. FOR WIRELESS DIMMERS, CONSULT FACTORY ---

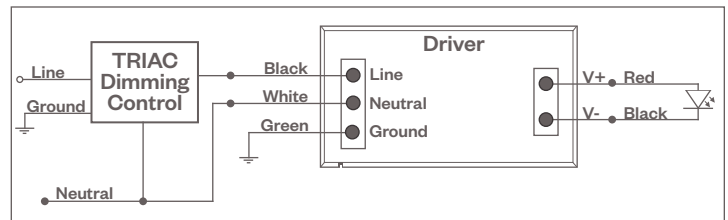
LUTRON HILUME-A-LTE DIMMING

Utilizes "Standard" incandescent dimmers that are in wide use in installations across the US. Best for retrofit applications where TRIAC dimmers are installed.

Notes:

- 120V only
- Dims down to less than 1% light output (most cases)
- Consult Dimming manufacturer for installation instructions - DO NOT SHARE NEUTRALS!
- Must meet dimmer Minimum Load Requirements per dimming manufacturer

Lutron HILUME-A-LTE Wiring Diagram



Compatible Dimmers

Wall Box (Incandescent Style, Wattage as required)

Lutron "Diva"	Lutron "Vareo"
Lutron "Nova-T"	Lutron "Skylark"
Lutron "Maestro"	

Central System

Lutron "GP" Panel
Lutron Grafik Eye QS

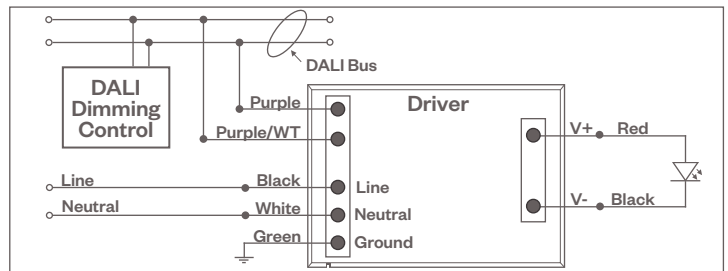
DALI - DALI DIMMING 120V-277V

Digital control protocol allows individual fixture control

Notes:

- 120V - 277V*
- Dims down to 0.1% light output in most cases

DALI Wiring Diagram



Compatible Dimmers

Wall Box (3-Wire Fluorescent)

Leviton CD250 Controller

Central System

Dynalite
Fifth Light

Notes:

* Driver is 277V dimmable with appropriate dimmer (by others). All provided wiring diagrams show 120V wiring colors and method. Please refer to 277V dimmer installation instructions for 277V wiring diagrams.