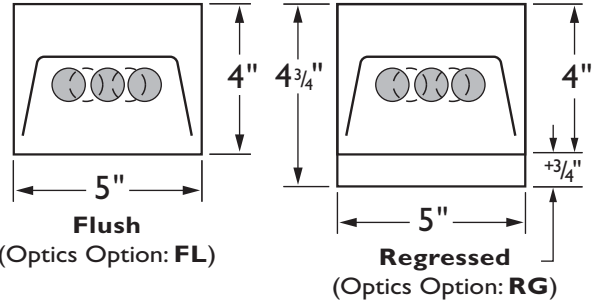


compatible with
TECHZONE™ by Armstrong
Logix by USG

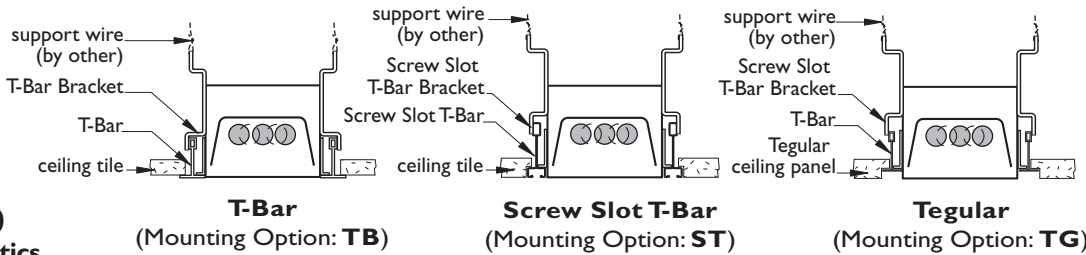
OPTICS POSITION

* 6" spacing between T-Bars



MOUNTING OPTIONS

3.0 Mounting Options



OPTICS

4.0 Optics

SATIN LENS FROSTED LENS
 (acrylic snap-in lens)
 satin: 68% transmissive
 frosted: 85% transmissive

LOUVERS
 (semi-spec. parabolic louver/
 white louver)

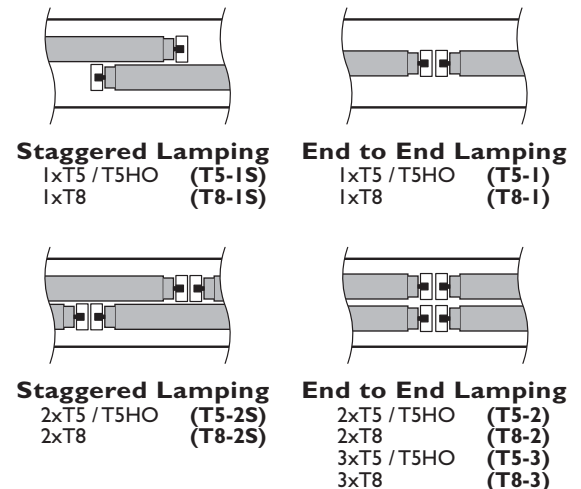
BLANK with MRI 6
 (9" blank aluminum sections)
 * See Beam 6 MRI 6 Spec sheet.

ASYMMETRIC
 (asymmetric reflector)
 * See Beam 6 Asymmetric Spec sheet.

LAMP CONFIGURATIONS

6.0 Fixture Lengths

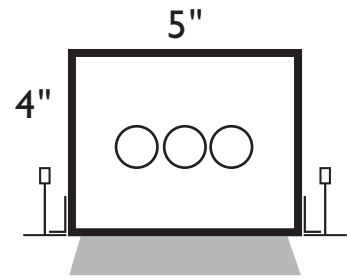
* Staggered not available with lamp config option: (3) three lamps



DETAILED INFORMATION

for more detailed information, please refer to the info sheets noted above





CONSTRUCTION

Housing	Extruded Aluminum (0.075" nominal)
End Cap	Sheet Steel (18 gauge)
Interior Brackets	Die Formed Sheet Steel (18 gauge)
Reflectors	White Powder Coated Sheet Steel (22 gauge)
Louvers	Die Formed Semi-Specular Aluminum (22 gauge)
White Louvers	Die Formed Aluminum Painted White (22 gauge)
Blank	Extruded Aluminum (0.075" nominal)
Lenses	Extruded Acrylic (0.070" nominal) Satin: 68% trans. Frosted: 85% trans.
T-Bar Bracket	Die Formed Sheet Steel (16 gauge)
Screw Slot T-Bar Bracket	Die Formed Sheet Steel (16 gauge)
Finish	Anodized, Powder Coated, Lacquered
Weight	12 lbs / 5.5 kg. (4' fixture)

ELECTRICAL

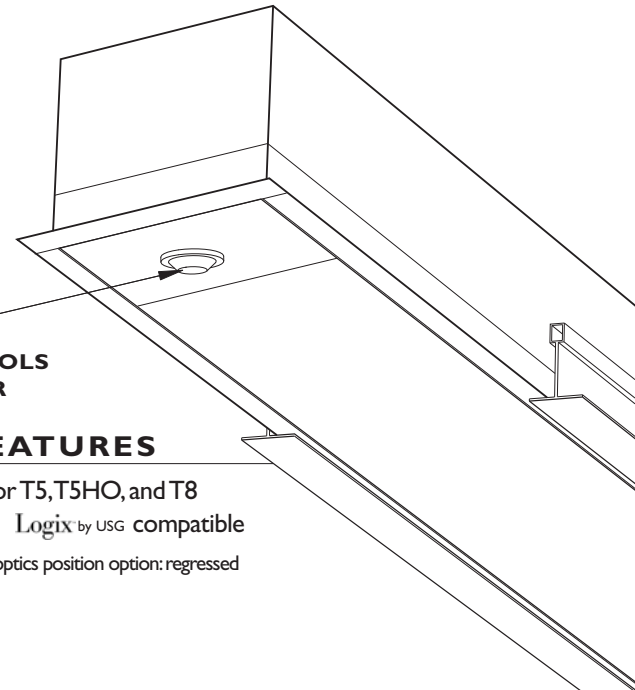
Ballast Options	Electronic, Dimmable, Emergency
Emergency	Emergency Battery Pack or Circuit
Lamp Options	T5, T5HO, T8
Voltage	120, 277, 347, UNV

Daylight Harvesting / Occupancy Sensors Available

Certification UL listed to U.S. & Canadian standards

RECESSED FEATURES

- * Fits within 2'x4' grid for T5, T5HO, and T8
- TECHZONE™** by Armstrong **Logix™** by USG compatible
- * T8 lamps must be used with optics position option: regressed



PRODUCT ORDERING CODE

product id	optics	optics position	length/ft	lamp	lamp config	MR16	finish	voltage	ballast	circuit	mounting	other	controls	custom
B6R	S	RG	8	T8	1S	M0	W	UNV	EOPTANI		ST			
B6R recessed	FL flush RG regressed (satin/frosted lens only)	T5 T5HO T8 (regressed only)	M# MR16 quantity *(add 9" per lamp)	UNV 120, 277, 347	1 one circuit 2 two circuits +E + emergency +M + MR16	B# batt. pack (quan./4' sections) F fuse (one per ballast) CP chicago plenum E end mount power feed	C custom description if required							
S satin lens F frosted lens PL semi spec para. louver SB white louver A asymmetric reflector WW wall wash SW satin wall wash	2 3 4 5 6 8 12	0 zero lamps 1 one lamp 2 two lamps 3 three lamps +S staggered	W white C custom	E electronic ERS rapid start D dimming (specify details)	TB T-bar ST Screw Slot T-bar TG Tegular	DS daylight sensor OS occ. sensor DOS daylight / occ. sensor								

sample ordering options



i 4.0 Optics
Asymmetric: See Beam 6 Asymmetric Spec sheet.
Wall Wash: See Beam 6 Wall Wash Spec sheet.

i 6.0 Fixture Lengths
 Staggered not available with 3 lamps.

i 5.0 Control Sensors
 Sensors are only possible with optics position: (FL) flush

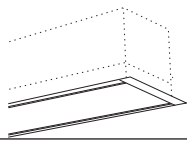
i 7.9 Installation Instructions
Corners: See Beam 6 Corner Spec sheet.

i 3.0 Mounting Options

DETAILED INFORMATION

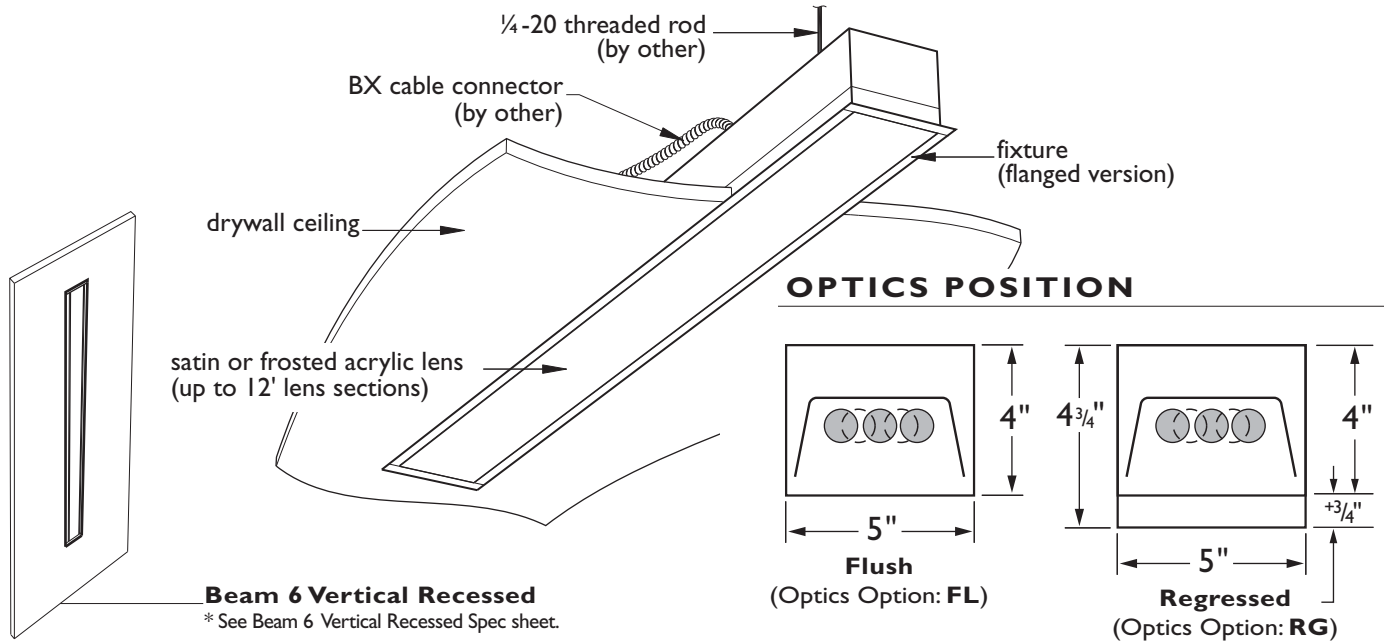
for more detailed information, please refer to the info sheets noted above





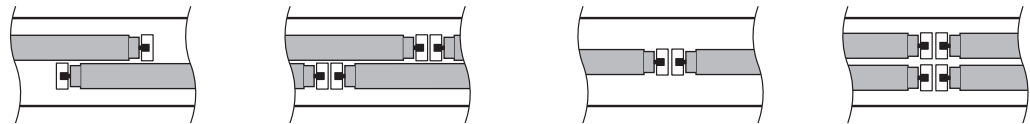
BEAM6

RECESSED DRYWALL SPECIFICATIONS



LAMP CONFIGURATIONS

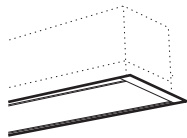
6.0 Fixture Lengths * Staggered not available with lamp config option: (3) three lamps



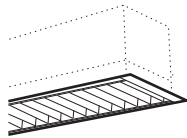
Staggered Lamping	Staggered Lamping End to End Lamping	End to End Lamping
1xT5 / T5HO (T5-1S) 1xT8 (T8-1S)	2xT5 / T5HO (T5-2S) 2xT8 (T8-2S)	1xT5 / T5HO (T5-1) 1xT8 (T8-1)
		2xT5 / T5HO (T5-2) 2xT8 (T8-2) 3xT5 / T5HO (T5-3) 3xT8 (T8-3)

OPTICS

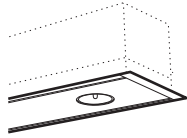
4.0 Optics



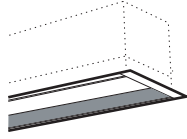
SATIN LENS
FROSTED LENS
(acrylic snap-in lens)
satin: 68% transmissive
frosted: 85% transmissive



LOUVERS
(semi-spec. parabolic louver/
white louver)



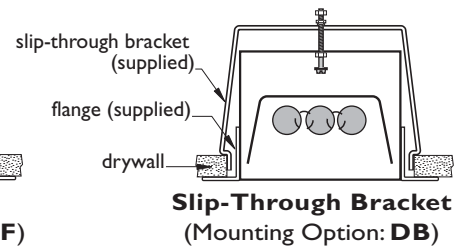
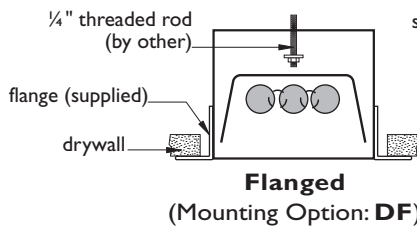
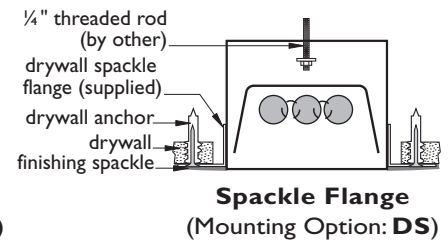
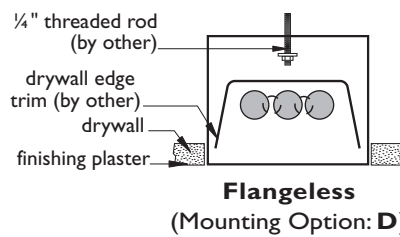
BLANK with MRI 6
(9" blank aluminum sections)
* See Beam6 MRI6 Spec sheet.



ASYMMETRIC
(asymmetric reflector)
* See Beam6 Asymmetric Spec sheet.

MOUNTING

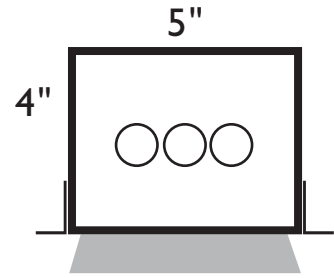
3.1 Mounting Options



DETAILED INFORMATION

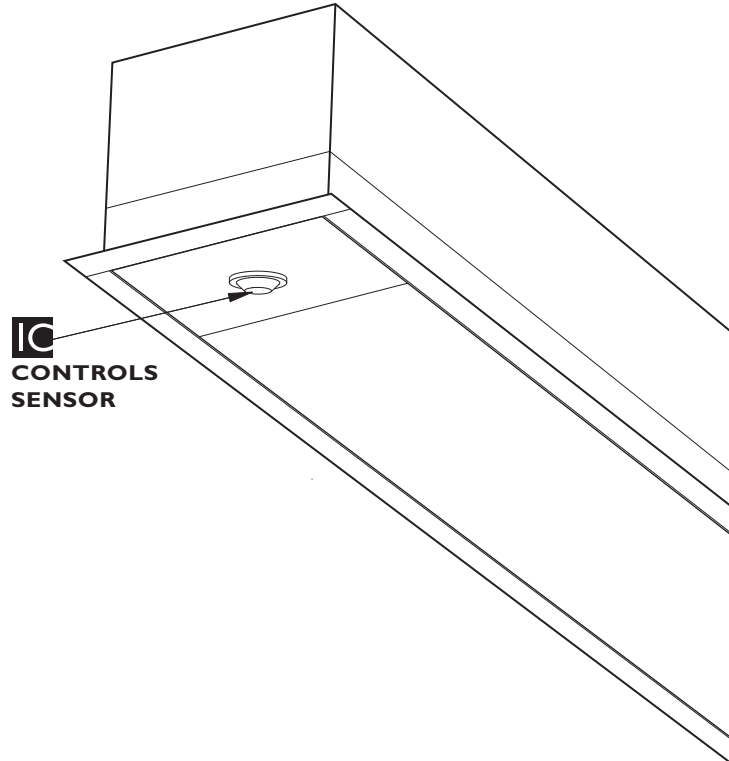
for more detailed information, please refer to the info sheets noted above

RECESSED DRYWALL SPECIFICATIONS



CONSTRUCTION

Housing	Extruded Aluminum (0.075" nominal)
End Cap	Sheet Steel (18 gauge)
Interior Brackets	Die Formed Sheet Steel (18 gauge)
Reflectors	White Powder Coated Sheet Steel (22 gauge)
Louvers	Die Formed Semi-Specular Aluminum (22 gauge)
White Louvers	Die Formed Aluminum Painted White (22 gauge)
Blank	Extruded Aluminum (0.075" nominal)
Lenses	Extruded Acrylic (0.070" nominal) Satin: 68% trans. Frosted: 85% trans.
Slip-Through Bracket	Die Formed Sheet Steel (18 gauge)
Spackle Flange	Die Formed Perforated Sheet Steel (20 gauge)
Flange	Extruded Aluminum (0.075" nominal) visible flange width: 9/16"
Finish	Anodized, Powder Coated, Lacquered
Weight	12 lbs / 5.5 kg (4' fixture)



ELECTRICAL

Ballast Options	Electronic, Dimmable, Emergency
Emergency	Emergency Battery Pack or Circuit
Lamp Options	T5, T5HO, T8
Voltage	120, 277, 347, UNV

Daylight Harvesting / Occupancy Sensors Available

Certification UL listed to U.S. & Canadian standards

PRODUCT ORDERING CODE

product id	optics	optics position	length/ft	lamp	lamp config	MR16	finish	voltage	ballast	circuit	mounting	other	controls	custom
B6R	S	FL	8	T5	IS	M0	W	I20	E	I	DF			
B6R recessed	S satin lens	FL flush regressed (satin/frosted lens only)	8 8 ft	T5 zero lamps T5HO one lamp T8 two lamps	IS staggered	M# MR16 quantity * (add 9" per lamp)	W white C custom	UNV 120 277 347	1 one circuit 2 two circuits +E + emergency +M + MR16	E electronic ERS rapid start D dimming (specify details)	DF drywall flanged D drywall (flangeless) DB slip-through bracket Notify factory for ceilings >3/4" thk.) DS drywall spackle flange	B# batt. pack (quan./4' sections) F fuse (one per ballast) CP chicago plenum E end mount power feed	DS daylight sensor OS occ. sensor DOS daylight / occ. sensor	C custom description if required

sample ordering options



4.0 Optics
Asymmetric: See Beam 6 Asymmetric Spec sheet.
Wall Wash: See Beam 6 Wall Wash Spec sheet.

6.0 Fixture Lengths
Staggered not available with 3 lamps.

5.0 Control Sensors
Sensors are only possible with optics position: (FL) flush

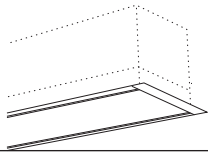
3.1 Mounting Options

7.5-7.8 Installation Instructions
Corners: See Beam 6 Corner Spec sheet.
Vertical: See Beam 6 Vertical Recessed Spec sheet.

DETAILED INFORMATION

for more detailed information, please refer to the info sheets noted above

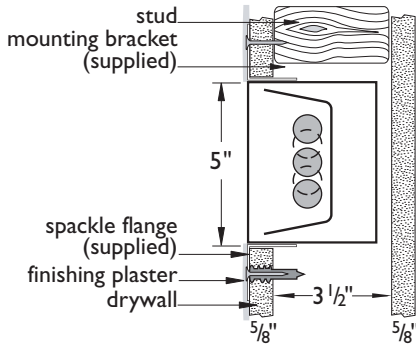




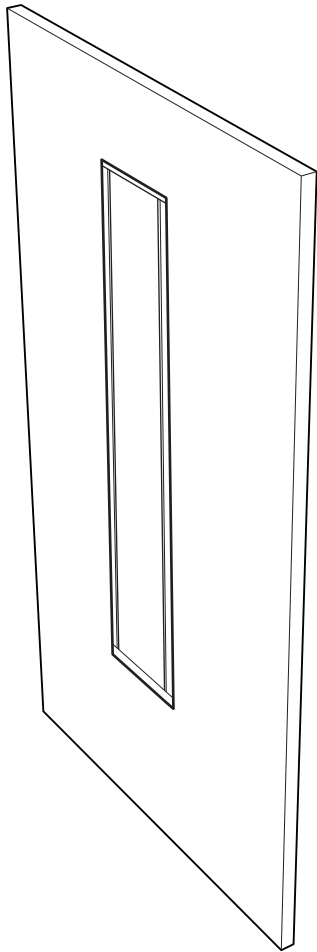
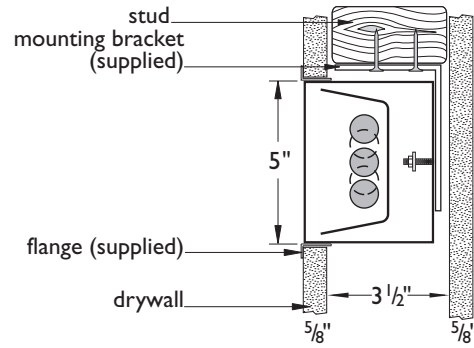
VERTICAL RECESSED MOUNTING OPTIONS

* Beam 6 Vertical Recessed Mounting Options shown with optics position: flush (FL)

Drywall Spackle Flange (Mounting Option: DS)

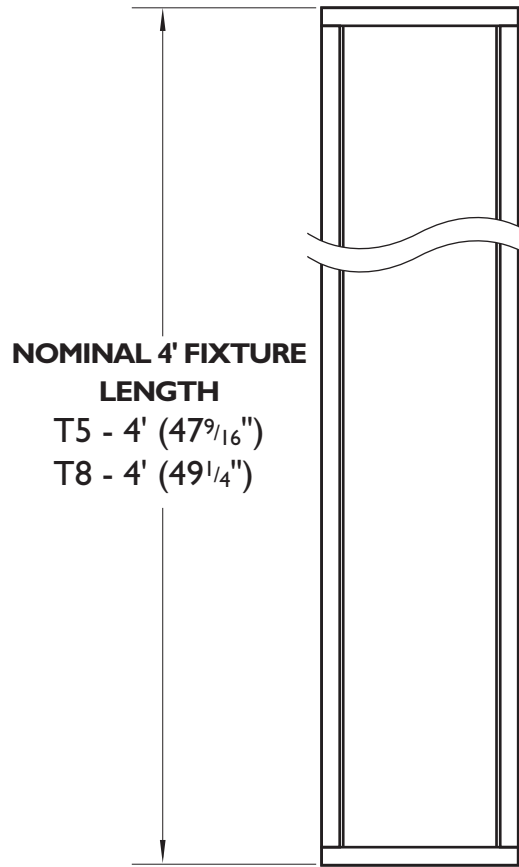


Drywall Flanged (Mounting Option: DF)



FRONT VIEW

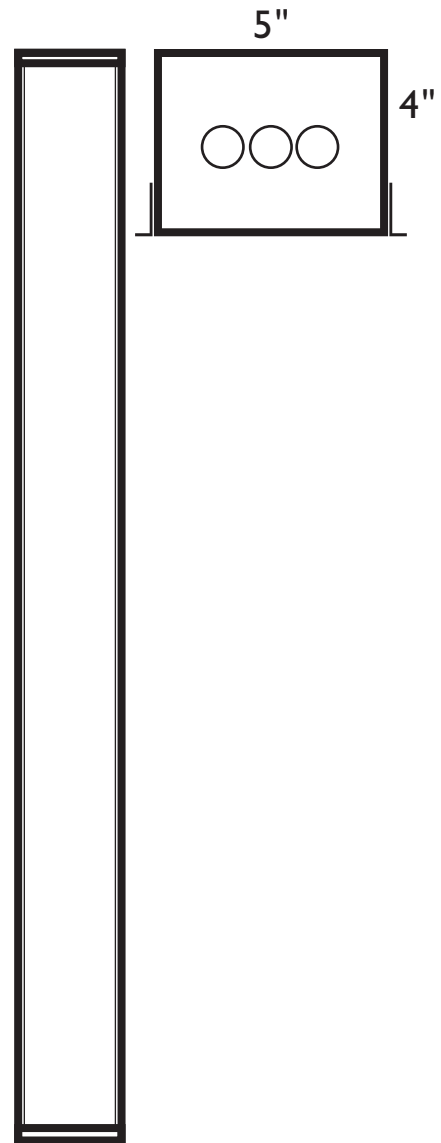
* Beam 6 Vertical Recessed Mount with mounting option: drywall flanged (DF)



i DETAILED INFORMATION

for more detailed information, please refer to the info sheets noted above

VERTICAL WALL RECESSED SPECIFICATIONS



CONSTRUCTION

Housing	Extruded Aluminum (0.075" nominal)
End Cap	Sheet Steel (18 gauge)
Interior Brackets	Die Formed Sheet Steel (18 gauge)
Reflectors	White Powder Coated Sheet Steel (22 gauge)
Louvers	Die Formed Semi-Specular Aluminum (22 gauge)
White Louvers	Die Formed Aluminum Painted White (22 gauge)
Blank	Extruded Aluminum (0.075" nominal)
Lenses	Extruded Acrylic (0.070" nominal) Satin: 68% trans. Frosted: 85% trans.
Slip-Through Bracket	Die Formed Sheet Steel (18 gauge)
Spackle Flange	Die Formed Perforated Sheet Steel (20 gauge)
Flange	Extruded Aluminum (0.075" nominal) visible flange width: 9/16"
Finish	Anodized, Powder Coated, Lacquered
Weight	12 lbs / 5.5 kg (4' fixture)

ELECTRICAL

Ballast Options	Electronic, Dimmable, Emergency
Emergency	Emergency Battery Pack or Circuit
Lamp Options	T8, T5, T5HO
Voltage	120, 277, 347, UNV
Certification	UL listed to U.S. & Canadian standards

PRODUCT ORDERING CODE

product id	optics	optics position	length/ft	lamp	lamp config	MR16	finish	voltage	ballast	circuit	mounting	other	custom
B6RV	S	FL	8	T5	IS	M0	W	120	E	I	DF		
B6R +V	recessed vertical	FL RG (satin/frosted lens only)	flush regressed (satin/frosted lens only)	T5 T5HO T8	M# MR16 quantity * (add 9" per lamp)	UNV 120 277 347	W white C custom	1 2 +E + emergency +M + MR16	one circuit two circuits	B# batt. pack (quan./4' sections) F fuse (one per ballast) CP chicago plenum E end mount power feed	DF drywall flanged DS drywall spackle flange		C custom description if required
	S satin lens F frosted lens PL semi spec para. louver SB white louver	2 3 4 5 6 8 12 S# system		0 zero lamps 1 one lamp 2 two lamps 3 three lamps +S staggered				E electronic ERS rapid start D dimming (specify details)					

MR16: See Beam 6 MR16 Spec sheet.

4.0 Optics

6.0 Fixture Lengths
Staggered not available with 3 lamps.

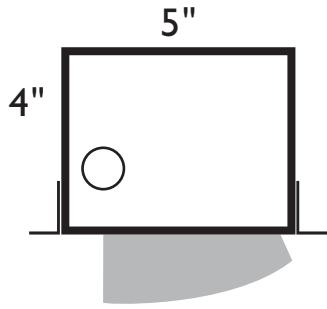
3.4 Mounting Options



DETAILED INFORMATION

for more detailed information, please refer to the info sheets noted above





BEAM 6

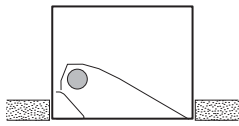
ASYMMETRIC RECESSED SPECIFICATIONS

CONSTRUCTION

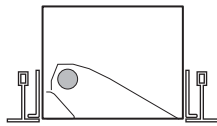
Asymmetric Reflector Extruded Aluminum (0.075" nominal)

* See Beam 6 Recessed T-Bar or Drywall Spec sheets for further electrical and construction information.

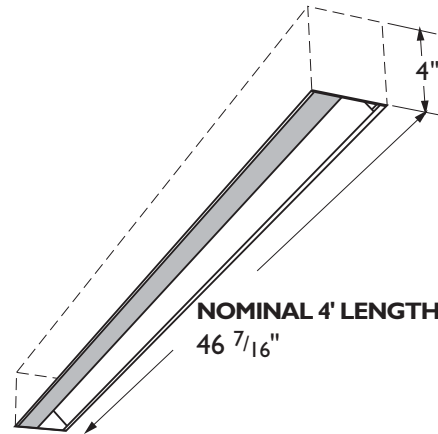
MOUNTING OPTIONS



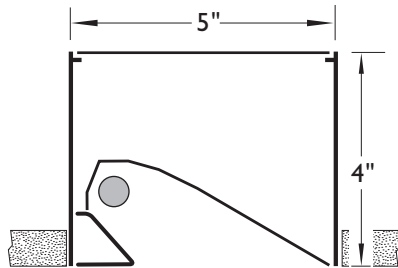
Drywall
(Mounting Option: **D**)



T-Bar
(Mounting Option: **TB**)

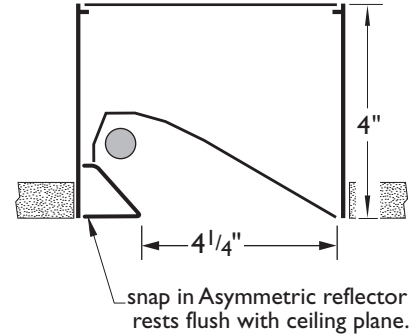


SECTION



LAMP CONFIGURATION

1 T5/T5HO/T8
(Code: **T5-I, T5HO-I or T8-I**)



PRODUCT ORDERING CODE

product id	optics	length/ft	lamp	lamp config	finish	voltage	ballast	circuit	mounting	other	custom
B6R	A	4	T5	I	W	120	E	I	DF		
B6R recessed	2 3 4 5 6 8 12 S# system		T5 T5HO T8	* one lamp	W white C custom	UNV 120 277 347	1 one circuit 2 two circuits +E + emergency +M + MR16	B# batt. pack (quan./4 sections) F fuse (one per ballast) CP chicago plenum end mount E power feed	DF drywall flanged drywall (flangeless) D slip-through bracket DB Notify factory for ceilings > 3/4" thk. DS drywall spackle flange TB T-Bar ST Screw Slot T-Bar TG Tegular	C custom description if required	

sample ordering options

i 4.0 Optics

i 7.5-7.8 Installation Instructions
Corners: See Beam 6 Corner Spec sheet.

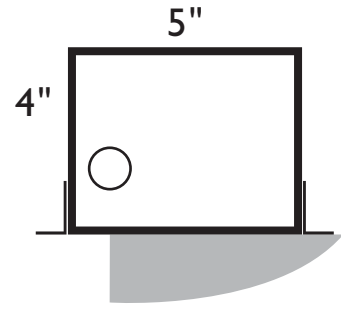
i 3.0 Mounting Options

i DETAILED INFORMATION

for more detailed information, please refer to the info sheets noted above



WALL WASH RECESSED SPECIFICATIONS

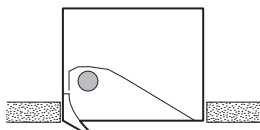


CONSTRUCTION

Wall Wash Reflector Extruded Aluminum (0.075" nominal)

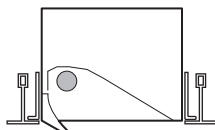
* See Beam 6 Recessed T-Bar or Drywall Spec sheets for further electrical and construction information.

MOUNTING OPTIONS



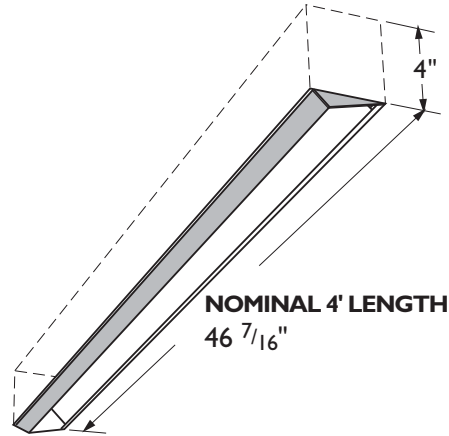
Drywall

(Mounting Option: **D**)



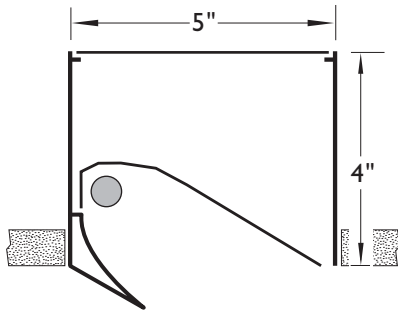
T-Bar

(Mounting Option: **TB**)



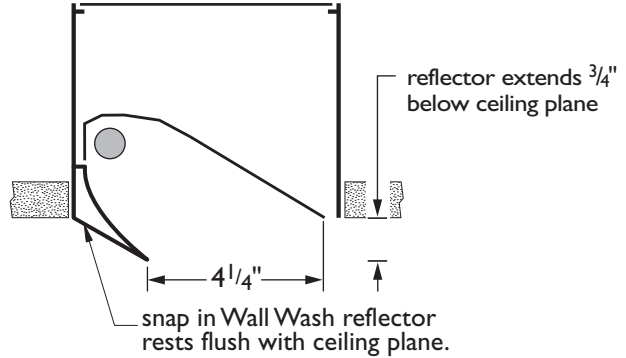
NOMINAL 4' LENGTH
46 7/16"

SECTION



LAMP CONFIGURATION

I T5/T5HO/T8
(Code: **T5-I, T5HO-I or T8-I**)



PRODUCT ORDERING CODE

product id	optics	length/ft	lamp	lamp config	finish	voltage	ballast	circuit	mounting	other	custom
B6R	WW	4	T5	I	W	120	E	I	DF		
B6R recessed	2 3 4 5 6 8 12 S# system		I *one lamp		W white C custom	UNV 120 277 347	1 one circuit 2 two circuits +E + emergency +M + MR16	B# batt. pack (quan./4' sections) F fuse (one per ballast) CP chicago plenum end mount E power feed			
	WW wall wash SW satin wall wash		T5 T5HO T8				E electronic ERS rapid start D dimming (specify details)	DF drywall flanged D drywall (flangeless) DB slip-through bracket Notify factory for ceilings >3/4" thk.) DS drywall spackle flange TB T-Bar ST Screw Slot T-Bar TG Tegular		C custom description if required	

i 4.0 Optics

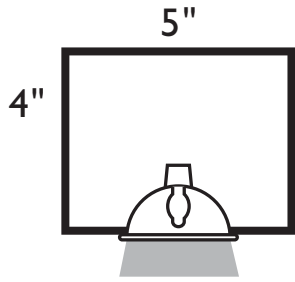
i 7.5-7.8 Installation Instructions
Corners: See Beam 6 Corner Spec sheet.

i DETAILED INFORMATION

for more detailed information, please refer to the info sheets noted above

i 3.0 Mounting Options

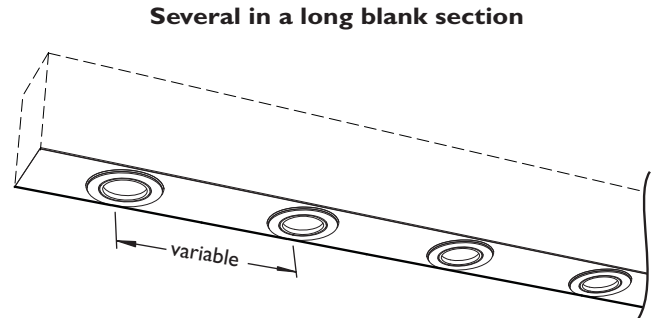
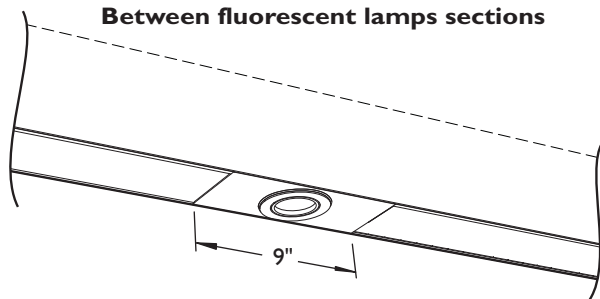




BEAM 6

MR16 SPECIFICATIONS

MR16 CONFIGURATIONS



CONSTRUCTION

Blank Extruded Aluminum (0.075" nominal)
MR16 Halogens 2.0" diameter (35W / 50W)

*MR16 Halogen lamps can be aimed up to 35° from vertical.

Quantity

For every 4' fluorescent lamp section, there may be up to a maximum of 4 x MR16 lamps.

Spacing

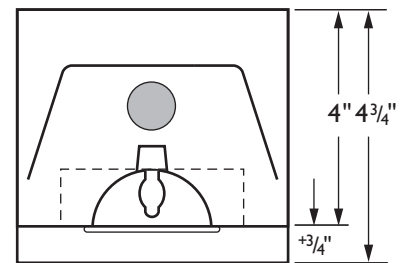
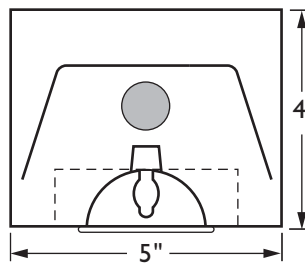
Each MR16 is placed centered on a blank section 9" in length.

For a series of MR16's within a given section length, they will be spaced evenly on a longer blank section.

* Custom spacing may be available on special request.

OPTICS POSITIONS

* 6" spacing between T-Bars

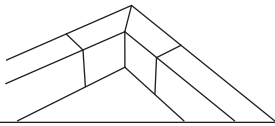


PRODUCT ORDERING CODE

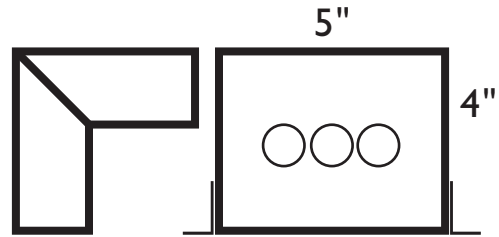
product id	optics	optics position	length/ft	lamp	lamp config	MR16	finish	voltage	ballast	circuit	mounting	other	controls	custom	
B6R	FL	4	0	M4	W	I20	E	IM	DF						
B6R +V	recessed vertical	FL RG	flush regressed (satin/frosted lens only)	T5 T5HO T8	(regressed in T-Bar)	M#	MR16 quantity *(add 9" per lamp)	UNV 120 277 347	1 2 +E +M	one circuit two circuits + emergency + MR16	B#	batt. pack (quan./4' sections)	C	custom description if required	
	S F PL SB	satin lens frosted lens semi spec para.louwer white solid louwer	2 3 4 5 6 8 12 S#	system	0 1 2 3 +S	zero lamps one lamp two lamps three lamps staggered	* Maximum 4 x MR16 lamps per 4' fixture. Provide a sketch for MR16 locations.	W C	white custom	E ERS D	electronic rapid start dimming (specify details)	DF D DB DS TB ST TG	drywall flanged drywall (flangeless) slip-through bracket Notify factory for ceilings >3/4" thk.) drywall spackle flange T-bar Screw Slot T-bar Tegular	DS OS DOS	daylight sensor occ. sensor daylight / occ. sensor
i	4.0 Optics		i		6.0 Fixture Lengths		Staggered not available with 3 lamps.		i		5.0 Control Sensors		Sensors are only possible with optics position: (FL) flush		
i	7.1-7.10 Installation Instructions														
	Corners: See Beam 6 Corner Spec sheet. Vertical: See Beam 6 Vertical Wall Recessed Spec sheet.														
i	3.0 Mounting Options														

DETAILED INFORMATION

for more detailed information, please refer to the info sheets noted above



CORNER SPECIFICATIONS

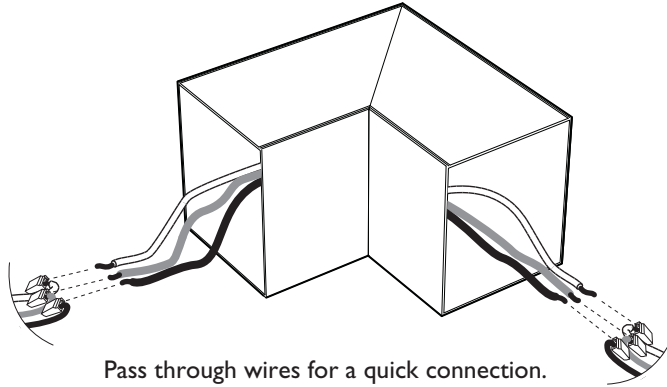


REQUIREMENTS

Corners are to be ordered in parallel with their corresponding linear sections. Please specify each corner style required with a separate code (see code below).

Mounting points are to be situated on attached linear sections rather than on corners.

All systems requiring corner units must be specified as such at the time of order. Existing linear systems or fixtures cannot have corners added at a later date.

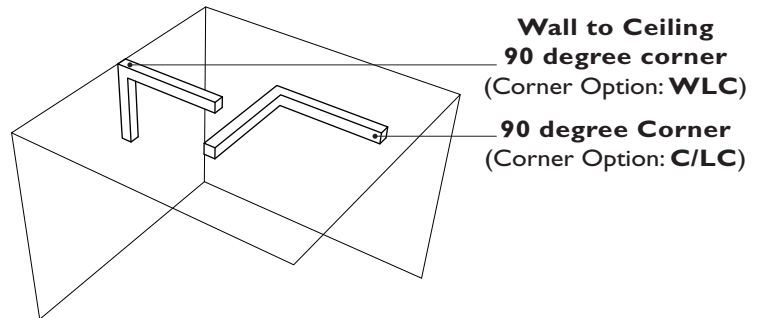


Pass through wires for a quick connection.

CONSTRUCTION

General Assembly	Mitered Aluminum extrusion
Side Profile	Extruded Aluminum (0.100" nominal)
Blank Cover Extrusion	Extruded Aluminum (0.080" nominal)
Interior Brackets	Die Formed Sheet Steel (16 gauge)
Finish	Anodized, Powder Coated, Lacquered

Certification UL listed to U.S. & Canadian standards



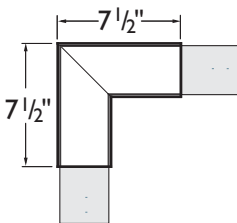
Wall to Ceiling 90 degree corner
(Corner Option: **WLC**)

90 degree Corner
(Corner Option: **C/LC**)

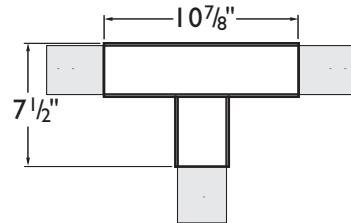
CORNER CONFIGURATIONS

In addition to linear runs, the Beam 6 fixture can be specified with corners: 90°, T or X sections.

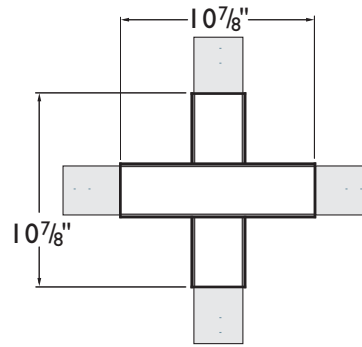
* Dimensions below vary for Lit Corners.



90° Corner
(Corner Option: **C**)

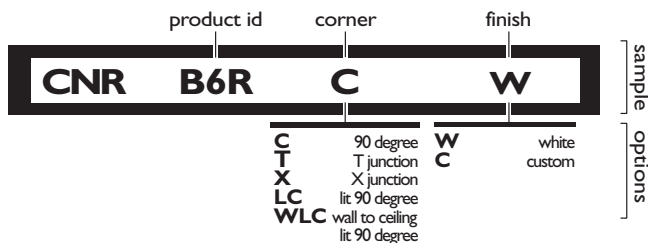


T Corner
(Corner Option: **T**)



X Corner
(Corner Option: **X**)

BEAM 6 CORNER ORDERING CODE



DETAILED INFORMATION

for more detailed information, please refer to the info sheets noted above

BEAM CORNER FEATURES

The corner modules are an assembly of welded aluminum extrusions. For added rigidity and a secure joining, the assembly uses an internal die formed sheet steel to align the corners and linear sections of the system.

Corner Specification Tip:

* Provide sketches illustrating corner types and locations required.

