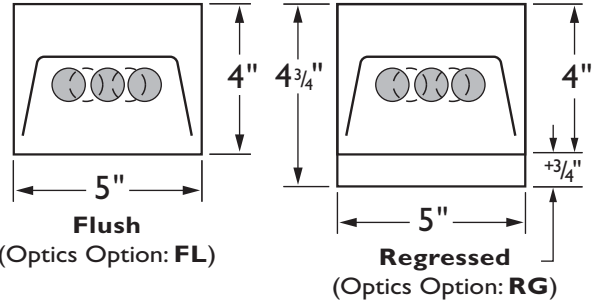


compatible with
TECHZONE™ by Armstrong
Logix by USG

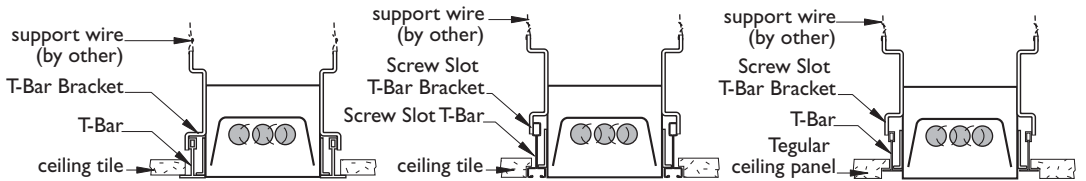
OPTICS POSITION

* 6" spacing between T-Bars



MOUNTING OPTIONS

3.0 Mounting Options



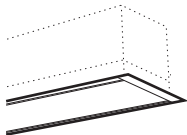
T-Bar
 (Mounting Option: **TB**)

Screw Slot T-Bar
 (Mounting Option: **ST**)

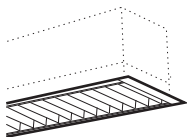
Tegular
 (Mounting Option: **TG**)

OPTICS

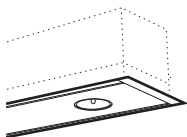
4.0 Optics



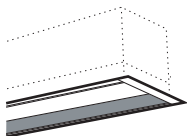
SATIN LENS
FROSTED LENS
 (acrylic snap-in lens)
 satin: 68% transmissive
 frosted: 85% transmissive



LOUVERS
 (semi-spec. parabolic louver/
 white louver)



BLANK with MRI 6
 (9" blank aluminum sections)
 * See Beam 6 MRI 6 Spec sheet.

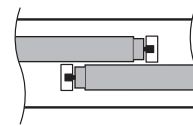


ASYMMETRIC
 (asymmetric reflector)
 * See Beam 6 Asymmetric Spec sheet.

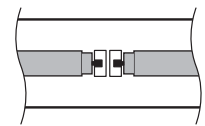
LAMP CONFIGURATIONS

6.0 Fixture Lengths

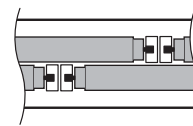
* Staggered not available with lamp config option: (3) three lamps



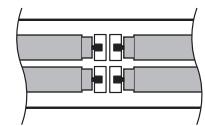
Staggered Lamping
 1xT5 / T5HO (T5-1S)
 1xT8 (T8-1S)



End to End Lamping
 1xT5 / T5HO (T5-1)
 1xT8 (T8-1)



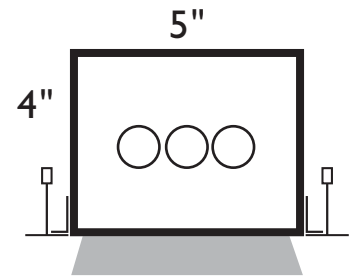
Staggered Lamping
 2xT5 / T5HO (T5-2S)
 2xT8 (T8-2S)



End to End Lamping
 2xT5 / T5HO (T5-2)
 2xT8 (T8-2)
 3xT5 / T5HO (T5-3)
 3xT8 (T8-3)

DETAILED INFORMATION

for more detailed information, please refer to the info sheets noted above



CONSTRUCTION

Housing	Extruded Aluminum (0.075" nominal)
End Cap	Sheet Steel (18 gauge)
Interior Brackets	Die Formed Sheet Steel (18 gauge)
Reflectors	White Powder Coated Sheet Steel (22 gauge)
Louvers	Die Formed Semi-Specular Aluminum (22 gauge)
White Louvers	Die Formed Aluminum Painted White (22 gauge)
Blank	Extruded Aluminum (0.075" nominal)
Lenses	Extruded Acrylic (0.070" nominal) Satin: 68% trans. Frosted: 85% trans.
T-Bar Bracket	Die Formed Sheet Steel (16 gauge)
Screw Slot T-Bar Bracket	Die Formed Sheet Steel (16 gauge)
Finish	Anodized, Powder Coated, Lacquered
Weight	12 lbs / 5.5 kg. (4' fixture)

ELECTRICAL

Ballast Options	Electronic, Dimmable, Emergency
Emergency	Emergency Battery Pack or Circuit
Lamp Options	T5, T5HO, T8
Voltage	120, 277, 347, UNV

Daylight Harvesting / Occupancy Sensors Available

Certification UL listed to U.S. & Canadian standards

RECESSED FEATURES

- * Fits within 2'x4' grid for T5, T5HO, and T8
- TECHZONE™** by Armstrong **Logix™** by USG compatible
- * T8 lamps must be used with optics position option: regressed



PRODUCT ORDERING CODE

product id	optics	optics position	length/ft	lamp	lamp config	MR16	finish	voltage	ballast	circuit	mounting	other	controls	custom
B6R	S	RG	4	T8	1S	M0	W	UNV	EOP	TAN	I	ST	B	
B6R	recessed	FL RG	flush regressed (satin/frosted lens only)	T5 T5HO T8	zero lamps one lamp two lamps three lamps staggered	M# MR16 quantity *(add 9" per lamp)	W white C custom	UNV 120 277 347	1 2 +E +M	one circuit two circuits + emergency + MR16	B# F CP E	batt. pack (quan./4' sections) fuse (one per ballast) chicago plenum end mount power feed	C custom description if required	
S	satin lens	2		0					E	electronic	TB	T-bar	DS	daylight sensor
F	frosted lens	3		1					ERS	rapid start	ST	Screw Slot T-bar	OS	occ. sensor
PL	semi spec para. louver	4		2					D	dimming (specify details)	TG	Tegular	DOS	daylight / occ. sensor
SB	white louver	5		3										
A	asymmetric reflector	6		+S										
WW	wall wash	8												
SW	satin wall wash	12												
		S#	system											



i 4.0 Optics

Asymmetric: See Beam 6 Asymmetric Spec sheet.
Wall Wash: See Beam 6 Wall Wash Spec sheet.

i 7.9 Installation Instructions
Corners: See Beam 6 Corner Spec sheet.

i 6.0 Fixture Lengths
 Staggered not available with 3 lamps.

* Maximum 4 x MR16 lamps per 4' fixture.
 Provide a sketch for MR16 locations.
MR16: See Beam 6 MR16 Spec sheet.

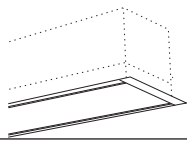
i 5.0 Control Sensors
 Sensors are only possible with optics position: (FL) flush

i 3.0 Mounting Options

DETAILED INFORMATION

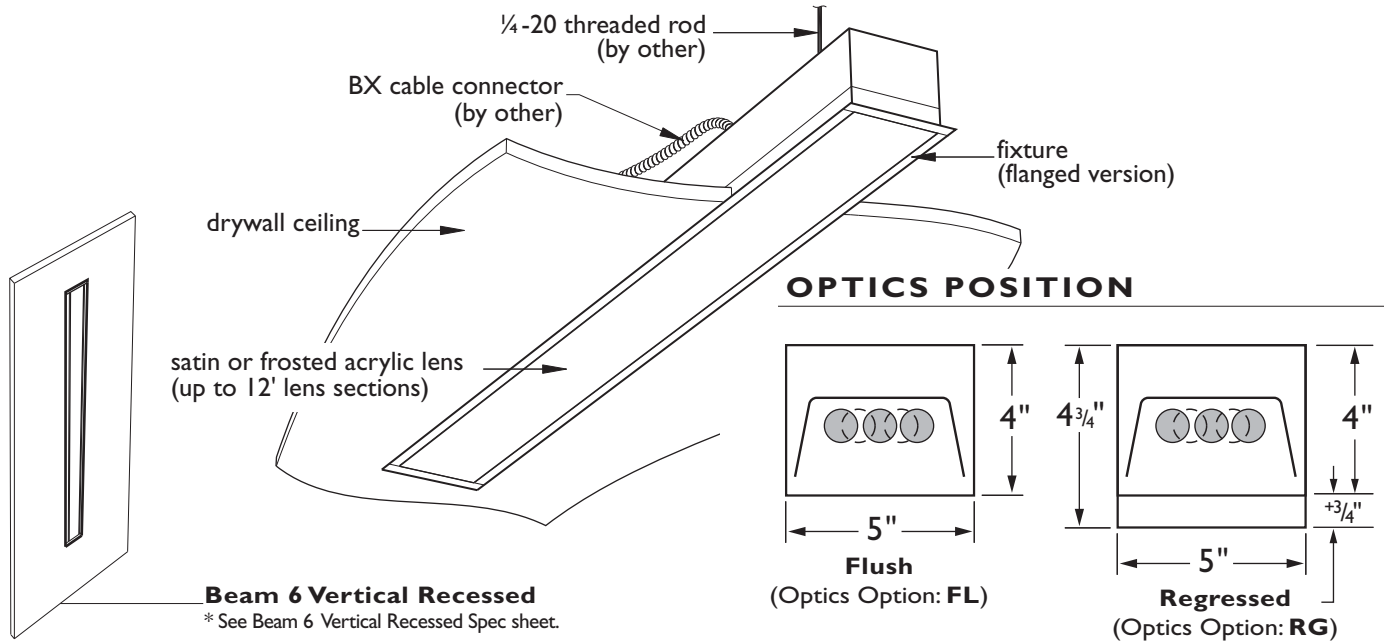
for more detailed information, please refer to the info sheets noted above





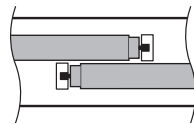
BEAM6

RECESSED DRYWALL SPECIFICATIONS

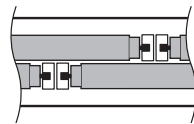


LAMP CONFIGURATIONS

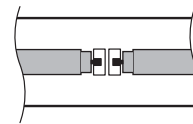
6.0 Fixture Lengths * Staggered not available with lamp config option: (3) three lamps



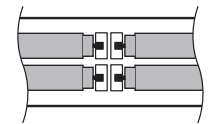
Staggered Lamping
1xT5 / T5HO (T5-1S)
1xT8 (T8-1S)



Staggered Lamping
2xT5 / T5HO (T5-2S)
2xT8 (T8-2S)



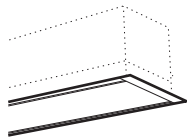
End to End Lamping
1xT5 / T5HO (T5-1)
1xT8 (T8-1)



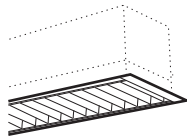
End to End Lamping
2xT5 / T5HO (T5-2)
2xT8 (T8-2)
3xT5 / T5HO (T5-3)
3xT8 (T8-3)

OPTICS

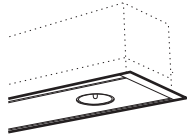
4.0 Optics



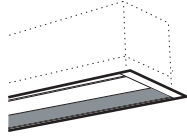
SATIN LENS
FROSTED LENS
(acrylic snap-in lens)
satin: 68% transmissive
frosted: 85% transmissive



LOUVERS
(semi-spec. parabolic louver/
white louver)



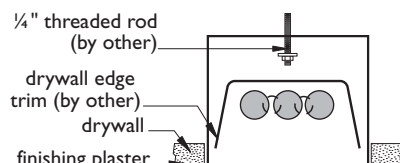
BLANK with MRI6
(9" blank aluminum sections)
* See Beam6 MRI6 Spec sheet.



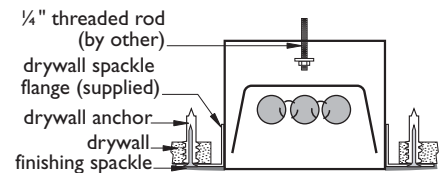
ASYMMETRIC
(asymmetric reflector)
* See Beam6 Asymmetric Spec sheet.

MOUNTING

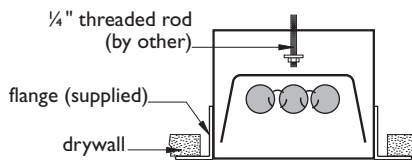
3.1 Mounting Options



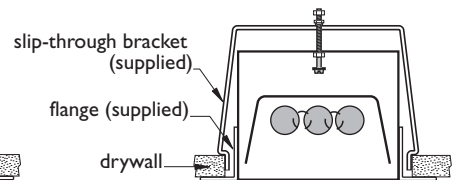
Flangeless
(Mounting Option: D)



Spackle Flange
(Mounting Option: DS)



Flanged
(Mounting Option: DF)

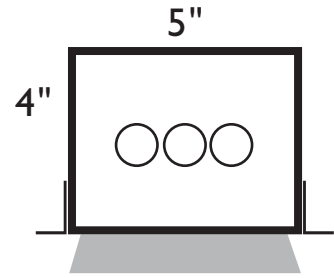


Slip-Through Bracket
(Mounting Option: DB)

DETAILED INFORMATION

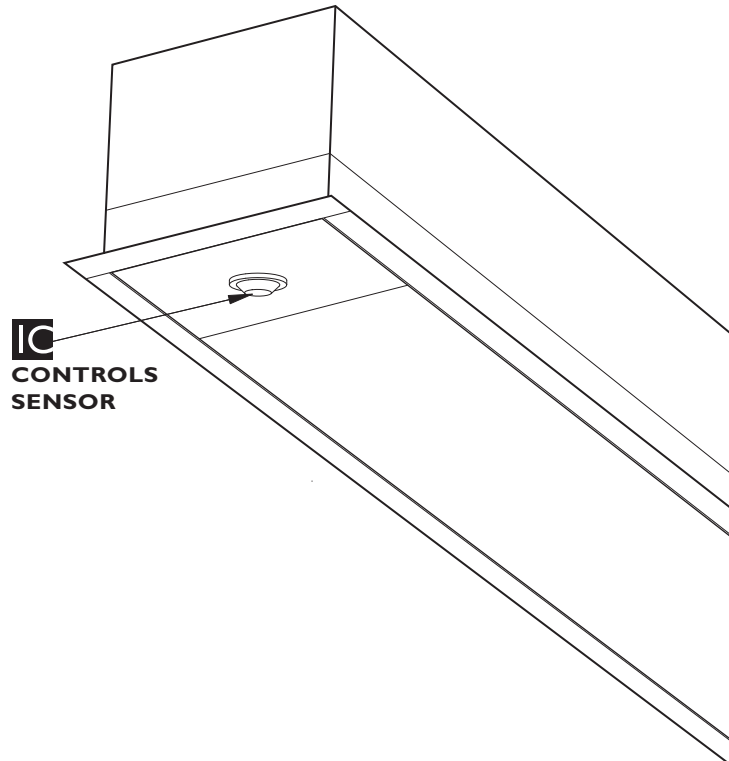
for more detailed information, please refer to the info sheets noted above

RECESSED DRYWALL SPECIFICATIONS



CONSTRUCTION

Housing	Extruded Aluminum (0.075" nominal)
End Cap	Sheet Steel (18 gauge)
Interior Brackets	Die Formed Sheet Steel (18 gauge)
Reflectors	White Powder Coated Sheet Steel (22 gauge)
Louvers	Die Formed Semi-Specular Aluminum (22 gauge)
White Louvers	Die Formed Aluminum Painted White (22 gauge)
Blank	Extruded Aluminum (0.075" nominal)
Lenses	Extruded Acrylic (0.070" nominal) Satin: 68% trans. Frosted: 85% trans.
Slip-Through Bracket	Die Formed Sheet Steel (18 gauge)
Spackle Flange	Die Formed Perforated Sheet Steel (20 gauge)
Flange	Extruded Aluminum (0.075" nominal) visible flange width: 9/16"
Finish	Anodized, Powder Coated, Lacquered
Weight	12 lbs / 5.5 kg (4' fixture)



ELECTRICAL

Ballast Options	Electronic, Dimmable, Emergency
Emergency	Emergency Battery Pack or Circuit
Lamp Options	T5, T5HO, T8
Voltage	120, 277, 347, UNV

Daylight Harvesting / Occupancy Sensors Available

Certification UL listed to U.S. & Canadian standards

PRODUCT ORDERING CODE

product id	optics	optics position	length/ft	lamp	lamp config	MR16	finish	voltage	ballast	circuit	mounting	other	controls	custom
B6R	S	FL	8	T5	IS	M0	W	I20	E	I	DF			
B6R recessed	S satin lens	FL flush regressed (satin/frosted lens only)	8 8 ft	T5 zero lamps T5HO one lamp T8 two lamps	IS staggered	M# MR16 quantity * (add 9" per lamp)	W white C custom	UNV 120 277 347	1 one circuit 2 two circuits +E + emergency +M + MR16	E electronic ERS rapid start D dimming (specify details)	DF drywall flanged D drywall (flangeless) DB slip-through bracket DS drywall spackle flange	B# batt. pack (quan./4' sections) F fuse (one per ballast) CP chicago plenum E end mount power feed	DS daylight sensor OS occ. sensor DOS daylight / occ. sensor	C custom description if required

sample ordering options



4.0 Optics
Asymmetric: See Beam 6 Asymmetric Spec sheet.
Wall Wash: See Beam 6 Wall Wash Spec sheet.

6.0 Fixture Lengths
Staggered not available with 3 lamps.

5.0 Control Sensors
Sensors are only possible with optics position: (FL) flush

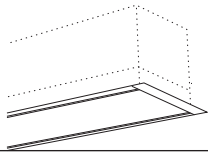
3.1 Mounting Options

7.5-7.8 Installation Instructions
Corners: See Beam 6 Corner Spec sheet.
Vertical: See Beam 6 Vertical Recessed Spec sheet.

DETAILED INFORMATION

for more detailed information, please refer to the info sheets noted above

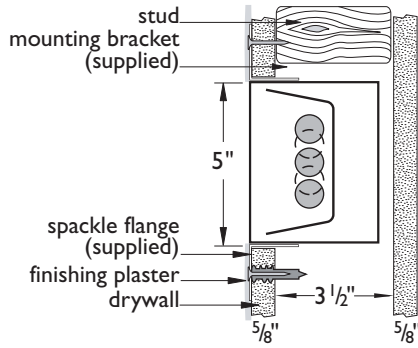




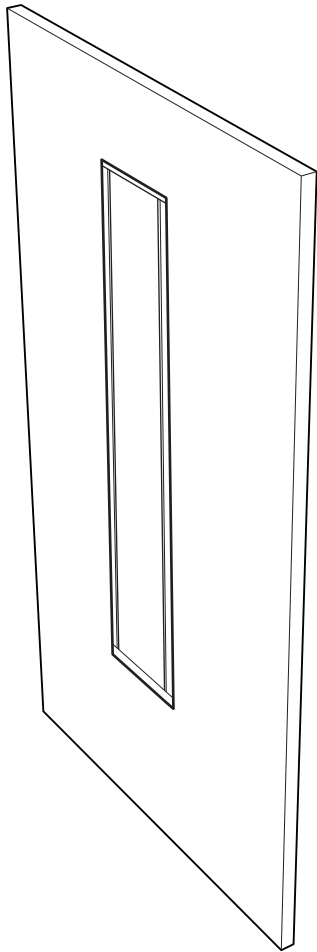
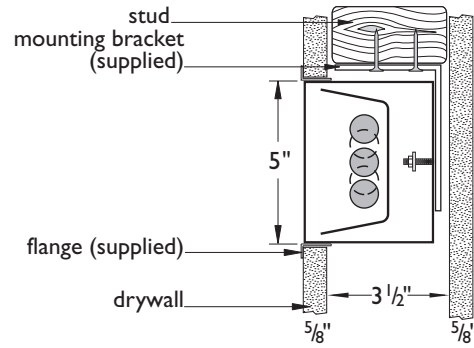
VERTICAL RECESSED MOUNTING OPTIONS

* Beam 6 Vertical Recessed Mounting Options shown with optics position: flush (FL)

Drywall Spackle Flange (Mounting Option: DS)

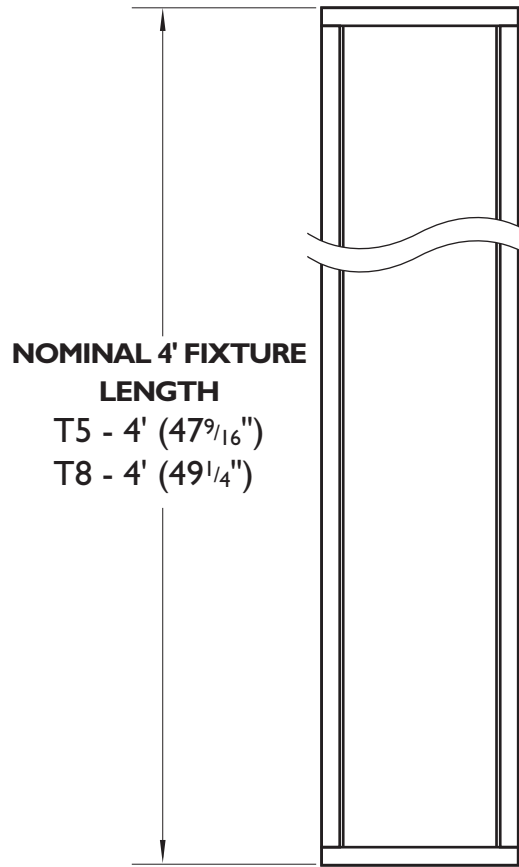


Drywall Flanged (Mounting Option: DF)



FRONT VIEW

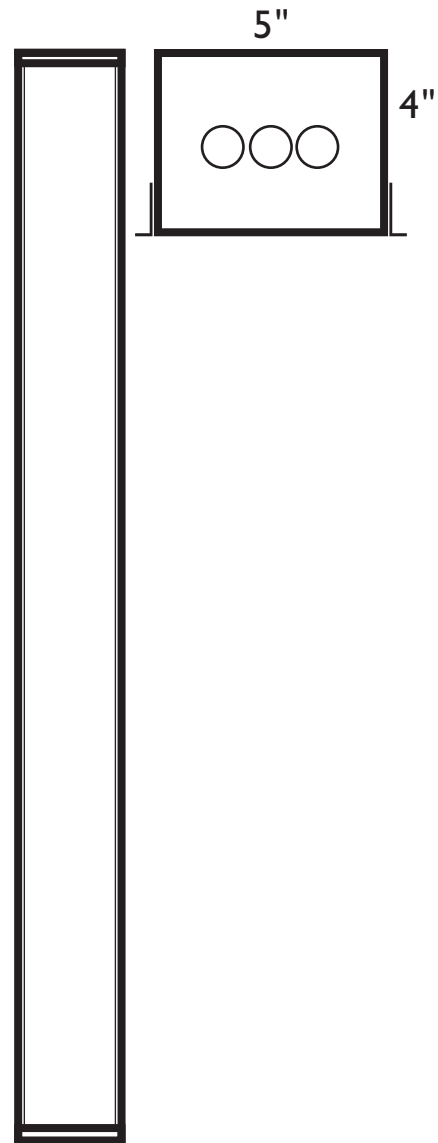
* Beam 6 Vertical Recessed Mount with mounting option: drywall flanged (DF)



i DETAILED INFORMATION

for more detailed information, please refer to the info sheets noted above

VERTICAL WALL RECESSED SPECIFICATIONS



CONSTRUCTION

Housing	Extruded Aluminum (0.075" nominal)
End Cap	Sheet Steel (18 gauge)
Interior Brackets	Die Formed Sheet Steel (18 gauge)
Reflectors	White Powder Coated Sheet Steel (22 gauge)
Louvers	Die Formed Semi-Specular Aluminum (22 gauge)
White Louvers	Die Formed Aluminum Painted White (22 gauge)
Blank	Extruded Aluminum (0.075" nominal)
Lenses	Extruded Acrylic (0.070" nominal) Satin: 68% trans. Frosted: 85% trans.
Slip-Through Bracket	Die Formed Sheet Steel (18 gauge)
Spackle Flange	Die Formed Perforated Sheet Steel (20 gauge)
Flange	Extruded Aluminum (0.075" nominal) visible flange width: 9/16"
Finish	Anodized, Powder Coated, Lacquered
Weight	12 lbs / 5.5 kg (4' fixture)

ELECTRICAL

Ballast Options	Electronic, Dimmable, Emergency
Emergency	Emergency Battery Pack or Circuit
Lamp Options	T8, T5, T5HO
Voltage	120, 277, 347, UNV
Certification	UL listed to U.S. & Canadian standards

PRODUCT ORDERING CODE

product id	optics	optics position	length/ft	lamp	lamp config	MR16	finish	voltage	ballast	circuit	mounting	other	custom
B6RV	S	FL	8	T5	IS	M0	W	120	E	I	DF		
B6R +V	recessed vertical	FL RG (satin/frosted lens only)	flush regressed (satin/frosted lens only)	T5 T5HO T8	M# MR16 quantity * (add 9" per lamp)	UNV 120 277 347	W white C custom	1 2 +E + emergency +M + MR16	one circuit two circuits	B# batt. pack (quan./4' sections) F fuse (one per ballast) CP chicago plenum E end mount power feed	DF drywall flanged DS drywall spackle flange	C custom description if required	
	S satin lens F frosted lens PL semi spec para. louver SB white louver	2 3 4 5 6 8 12 S# system		0 zero lamps 1 one lamp 2 two lamps 3 three lamps +S staggered				E electronic ERS rapid start D dimming (specify details)					

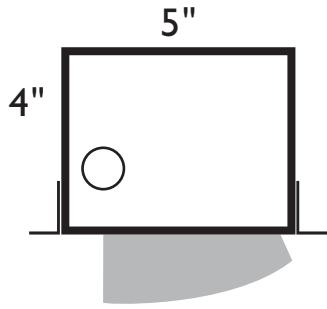
MR16: See Beam 6 MR16 Spec sheet.

3.4 Mounting Options

DETAILED INFORMATION

for more detailed information, please refer to the info sheets noted above





BEAM 6

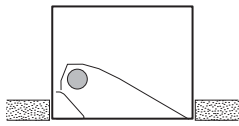
ASYMMETRIC RECESSED SPECIFICATIONS

CONSTRUCTION

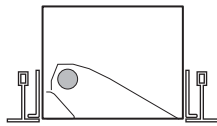
Asymmetric Reflector Extruded Aluminum (0.075" nominal)

* See Beam 6 Recessed T-Bar or Drywall Spec sheets for further electrical and construction information.

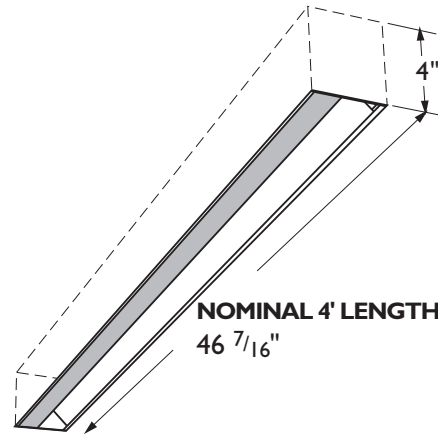
MOUNTING OPTIONS



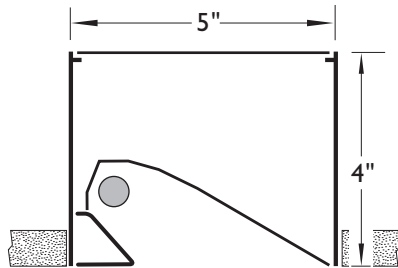
Drywall
(Mounting Option: **D**)



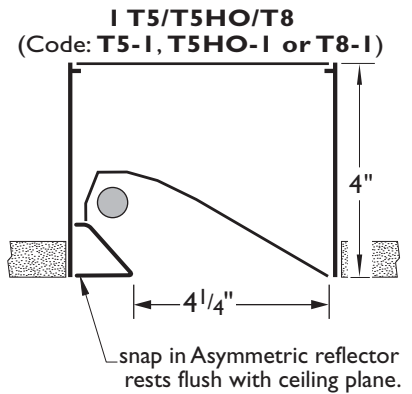
T-Bar
(Mounting Option: **TB**)



SECTION



LAMP CONFIGURATION



PRODUCT ORDERING CODE

product id	optics	length/ft	lamp	lamp config	finish	voltage	ballast	circuit	mounting	other	custom
B6R	A	4	T5	I	W	120	E	I	DF		
B6R recessed	2 3 4 5 6 8 12 S# system		T5 T5HO T8	* one lamp	W white C custom	UNV 120 277 347	1 one circuit 2 two circuits +E + emergency +M + MR16	DF drywall flanged drywall (flangeless) DB slip-through bracket Notify factory for ceilings > 3/4" thk. DS drywall spackle flange TB T-Bar ST Screw Slot T-Bar TG Tegular	B# batt. pack (quan./4 sections) F fuse (one per ballast) CP chicago plenum end mount E power feed	C custom description if required	

sample ordering options

i 4.0 Optics

i 7.5-7.8 Installation Instructions
Corners: See Beam 6 Corner Spec sheet.

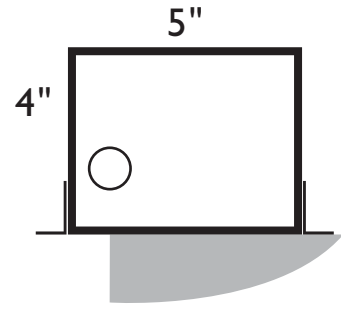
i 3.0 Mounting Options

i DETAILED INFORMATION

for more detailed information, please refer to the info sheets noted above



WALL WASH RECESSED SPECIFICATIONS

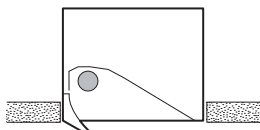


CONSTRUCTION

Wall Wash Reflector Extruded Aluminum (0.075" nominal)

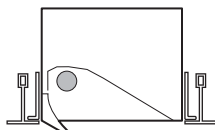
* See Beam 6 Recessed T-Bar or Drywall Spec sheets for further electrical and construction information.

MOUNTING OPTIONS



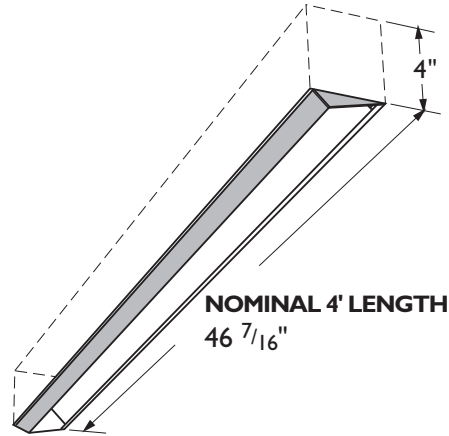
Drywall

(Mounting Option: **D**)

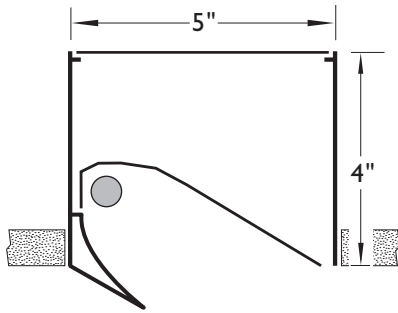


T-Bar

(Mounting Option: **TB**)

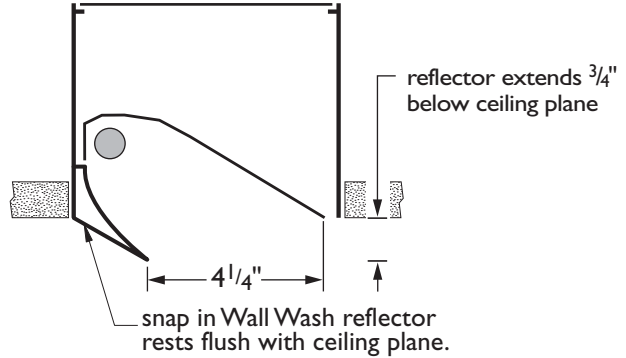


SECTION



LAMP CONFIGURATION

I T5/T5HO/T8
(Code: **T5-I, T5HO-I or T8-I**)



PRODUCT ORDERING CODE

product id	optics	length/ft	lamp	lamp config	finish	voltage	ballast	circuit	mounting	other	custom
B6R	WW	4	T5	I	W	120	E	I	DF		
B6R recessed	WW wall wash SW satin wall wash	2 3 4 5 6 8 12 S# system	T5 T5HO T8	I *one lamp	W white C custom	UNV 120 277 347	E electronic ERS rapid start D dimming (specify details)	1 one circuit 2 two circuits +E + emergency +M + MR16	DF drywall flanged D drywall (flangeless) DB slip-through bracket Notify factory for ceilings >3/4" thk.) DS drywall spackle flange TB T-Bar ST Screw Slot T-Bar TG Tegular	B# batt. pack (quan./4' sections) F fuse (one per ballast) CP chicago plenum end mount E power feed	C custom description if required

i 4.0 Optics

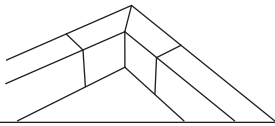
i 7.5-7.8 Installation Instructions
Corners: See Beam 6 Corner Spec sheet.

i DETAILED INFORMATION

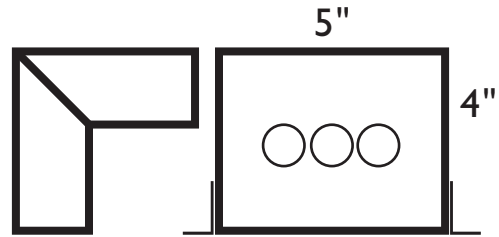
for more detailed information, please refer to the info sheets noted above

i 3.0 Mounting Options





CORNER SPECIFICATIONS

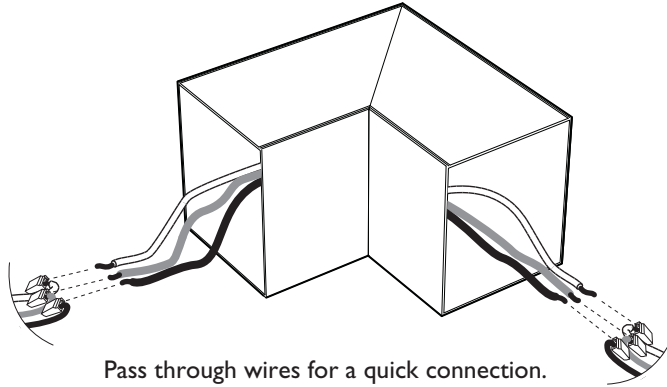


REQUIREMENTS

Corners are to be ordered in parallel with their corresponding linear sections. Please specify each corner style required with a separate code (see code below).

Mounting points are to be situated on attached linear sections rather than on corners.

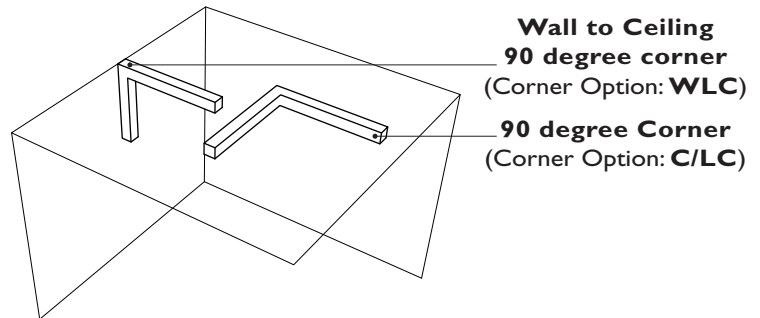
All systems requiring corner units must be specified as such at the time of order. Existing linear systems or fixtures cannot have corners added at a later date.



CONSTRUCTION

General Assembly	Mitered Aluminum extrusion
Side Profile	Extruded Aluminum (0.100" nominal)
Blank Cover Extrusion	Extruded Aluminum (0.080" nominal)
Interior Brackets	Die Formed Sheet Steel (16 gauge)
Finish	Anodized, Powder Coated, Lacquered

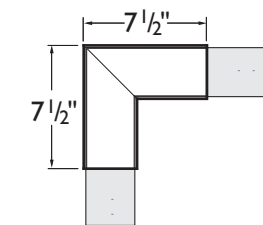
Certification UL listed to U.S. & Canadian standards



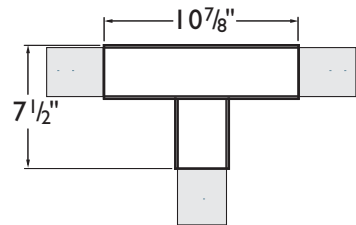
CORNER CONFIGURATIONS

In addition to linear runs, the Beam 6 fixture can be specified with corners: 90°, T or X sections.

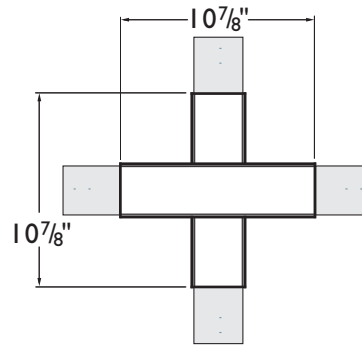
* Dimensions below vary for Lit Corners.



90° Corner
(Corner Option: **C**)

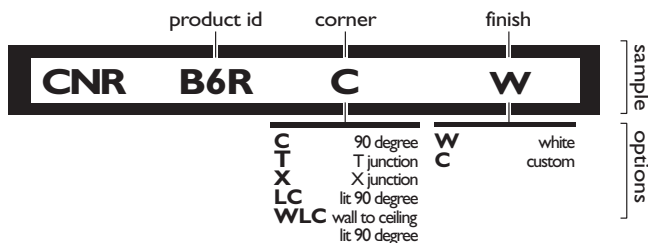


T Corner
(Corner Option: **T**)



X Corner
(Corner Option: **X**)

BEAM 6 CORNER ORDERING CODE



DETAILED INFORMATION

for more detailed information, please refer to the info sheets noted above

BEAM CORNER FEATURES

The corner modules are an assembly of welded aluminum extrusions. For added rigidity and a secure joining, the assembly uses an internal die formed sheet steel to align the corners and linear sections of the system.

Corner Specification Tip:

* Provide sketches illustrating corner types and locations required.

