

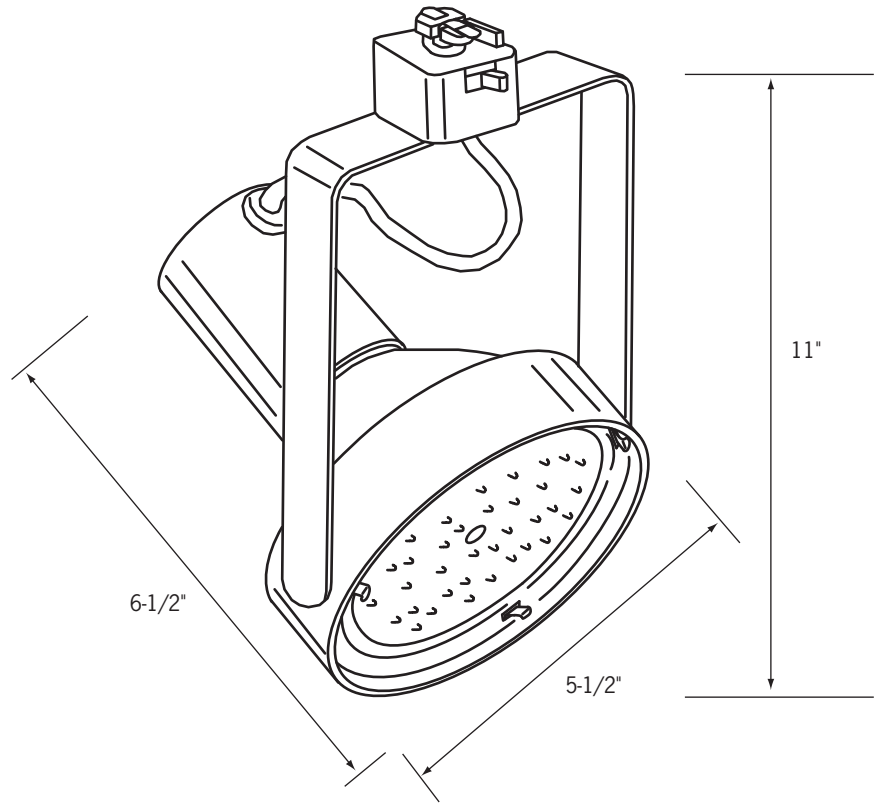
# CTL838

## PAR38 Heavy Duty Line Voltage Gimbal Track Fixture

Catalog No. \_\_\_\_\_

Type \_\_\_\_\_

Project \_\_\_\_\_



### Specifications/Features

#### Fixture

The free, unconfined look of these gimbal lamp holders make them popular for commercial, retail and residential applications.

The 2-plane gimbal design permits maximum horizontal and vertical swivel for excellent aiming.

“Sure-Set” yoke holds the fixture firmly in place.

Permanently mounted spring clips for use with light control accessories.

#### Lamp/Electrical

(1) 250W PAR38 (max), E26 Medium skirted base, 120V.

Equipped with a convenient on/off switch and polarity indicator.

#### Warranty

This fixture is covered by Con-Tech's full one (1) year replacement guarantee after date of purchase.

#### Listing

cULus listed. Suitable for dry locations.

### Ordering Information

Example Order:  -

Fixture

CTL838

Finish

B - Black  
P - White

Accessories

**BD38\*** - Barn Doors

*\*Black is standard finish. Natural aluminum may be ordered by adding suffix "U".*

**LA-38-(B, P, S)** - Egg-Crate Louver

**LF38-(A, B, CL, G, LB, R, RO, Y, 73, LS, SL, UV)**

4-7/8" Tempered Glass Lenses

*Color/Pattern Legend*

**-A** (Amber), **-B** (Blue), **-CL** (Clear), **-G** (Green),  
**-LB** (Light Blue), **-R** (Red), **-RO** (Rose),  
**-Y** (Yellow), **-73** (Spread Lens),  
**-LS** (Linear Spread Lens), **-SL** (Soft Light),  
**-UV** (Optivex UV Filter)

