

Features

General

- 6, 12, 18 and 24 circuit variants
- Leading edge triac slow rise-time dimmer engine. Capable of withstanding repetitive inrush current of 50 times operating current without impacting lifetime of dimmer or relay
- Positive air gap off per circuit
- Single or three phase versions
- Continuous duty, thermal magnetic SWD rated breakers for each circuit
- Bypass per circuit for manual override and providing construction site lighting
- Voltage and frequency compensation to maintain light level during supply fluctuations
- Real-time power metering for each circuit, phase and the total panel
- Live feed per circuit, via breaker, for emergency lighting connection

Mechanical

- No regular maintenance requirements due to natural convection cooling, i.e. no fans or filters
- Single circuit dimmer card
- Wall mounted design
- Lockable door cover

Programming

- An LCD graphical user interface and keypad for ease of programming and configuration. The interface can be used for programming single area systems there is no need to use a PC. The GUI also allows programming of the astronomical time clock.

Interfacing

- All SC-UN Source Controllers have a unique IP address allowing control from a Building Management System via an Ethernet connection. In addition the Ethernet port allows diagnostics and monitoring of the system
- Two contact closure inputs for integration with auxiliary equipment and emergency lighting input
- RS485 interface for Building management system interface
- DMX512 input for control by entertainment systems.

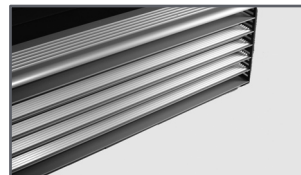


Overview

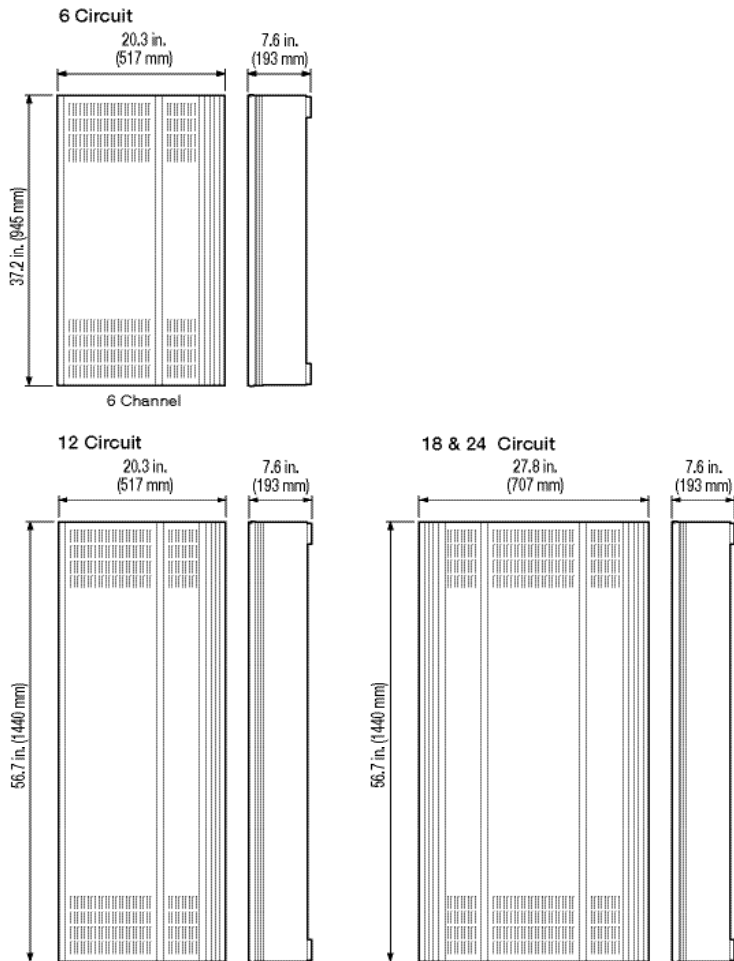
The Universal Source Controller line of lighting control panels set a new standard in architectural lighting control. Each Source Controller contains individual control cards that are the industry's only "true universal" by controlling every load type without interface or multiple cards. In addition, each panel has on board Ethernet, A/V interface, Contact Closure, DMX, voltage sensing, real-time individual circuit power metering and Phase Sense™ technology designed to ensure control even during individual phase failure.

Load types

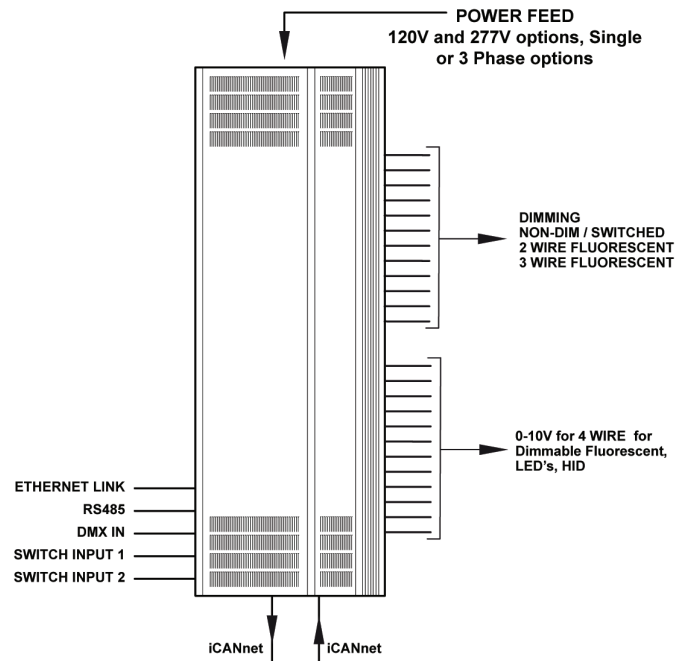
- Incandescent
- Magnetic and leading edge electronic low voltage - Factory Approved Transformer only.
 - o 4 wire fluorescent loads, 01 -10 VDC, LED, HID Dimmable
- Neon / cold cathode
- Non-dim (switched)
- Analog fluorescent ballast control
 - o 2 wire fluorescent loads (Advance Mark X, Osram/Sylvania)
 - o 3 wire fluorescent loads (Lutron ECO-10, Hi-Lume, EcoSystem)
 - o 4 wire fluorescent loads, 0-10 VDC (Advance Mark VII, Osram/Sylvania, Universal)
- Digital fluorescent ballast control (Canada and Mexico only)
 - o DALI
 - o DSI



Dimensions



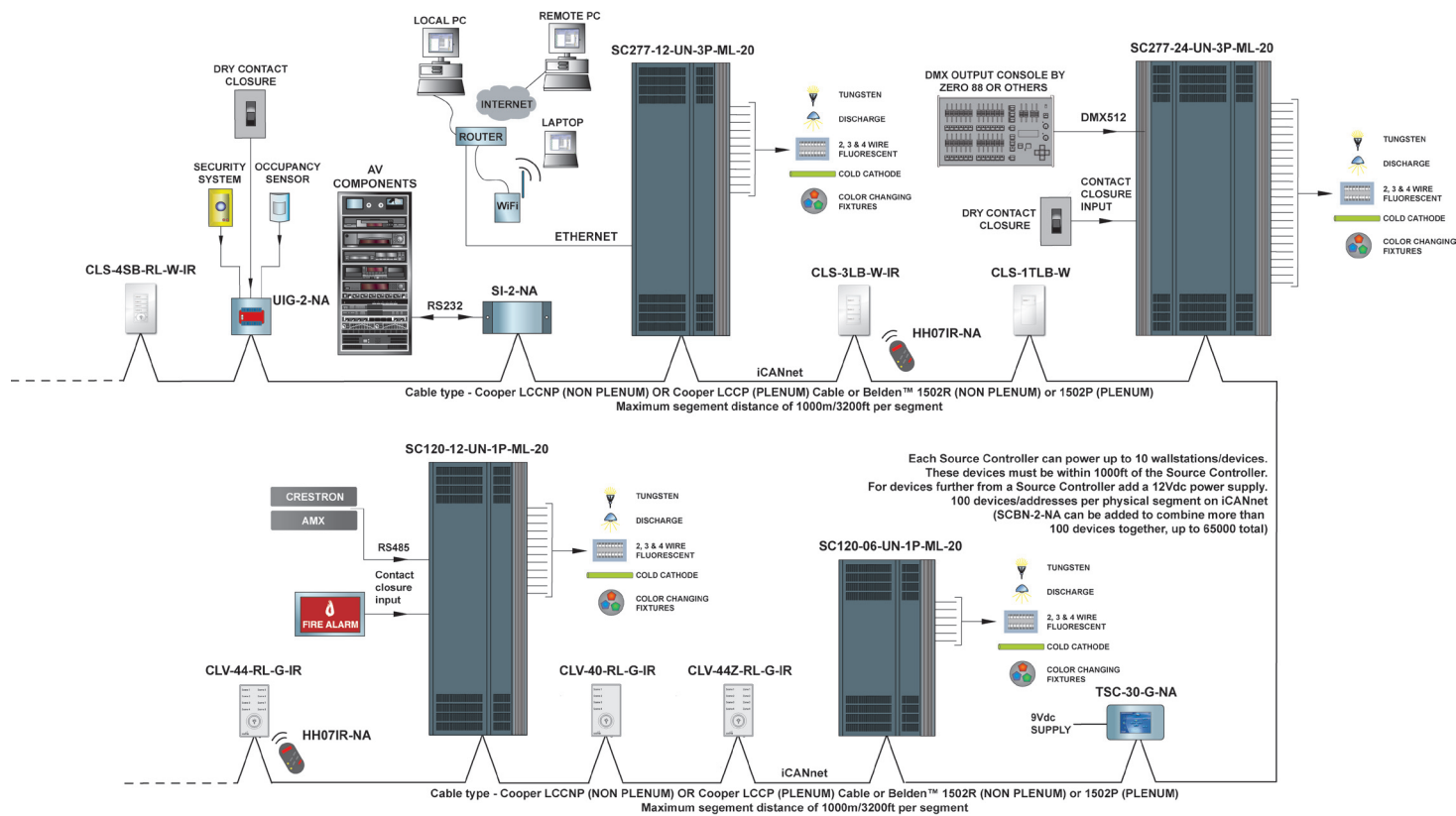
Wiring Diagram



iCANnet cable type - Cooper LCCNP (Non Plenum) Cable or LCCP (Plenum) or Belden™ 1502R (Non Plenum) or 1520P (Plenum)

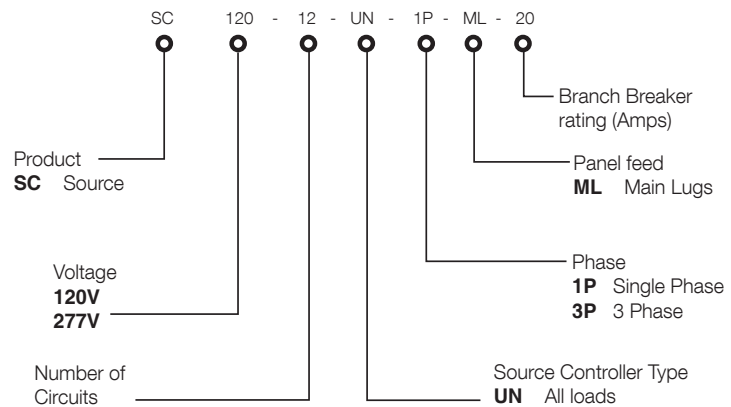
100 Devices per physical segment on iCANnet, maximum segment distance of 1000m/3200ft (SCBN-2-NA can be added to combine more than 100 devices together, up to 65000 total)

Sample System Topology



Ordering	
SC120-06-UN-1P-ML-20	Universal 120V Cabinet with 6 Circuits for All Loads, Single Phase, Main Lugs, 16A per Circuit
SC120-12-UN-1P-ML-20	Universal 120V Cabinet with 12 Circuits for All Loads, Single Phase, Main Lugs, 16A per Circuit
SC120-06-UN-3P-ML-20	Universal 120V Cabinet with 6 Circuits for All Loads, 3 Phase, Main Lugs, 16A per Circuit
SC120-12-UN-3P-ML-20	Universal 120V Cabinet with 12 Circuits for All Loads, 3 Phase, Main Lugs, 16A per Circuit
SC120-18-UN-3P-ML-20	Universal 120V Cabinet with 18 Circuits for All Loads, 3 Phase, Main Lugs, 16A per Circuit
SC120-24-UN-3P-ML-20	Universal 120V Cabinet with 24 Circuits for All Loads, 3 Phase, Main Lugs, 16A per Circuit
SC277-06-UN-1P-ML-20	Universal 277V Cabinet with 6 Circuits for All Loads, Single Phase, Main Lugs, 16A per Circuit
SC277-06-UN-3P-ML-20	Universal 277V Cabinet with 6 Circuits for All Loads, 3 Phase, Main Lugs, 16A per Circuit
SC277-12-UN-3P-ML-20	Universal 277V Cabinet with 12 Circuits for All Loads, 3 Phase, Main Lugs, 16A per Circuit
SC277-18-UN-3P-ML-20	Universal 277V Cabinet with 18 Circuits for All Loads, 3 Phase, Main Lugs, 16A per Circuit
SC277-24-UN-3P-ML-20	Universal 277V Cabinet with 24 Circuits for All Loads, 3 Phase, Main Lugs, 16A per Circuit

Ordering



Volt-	100V <input type="checkbox"/>	230V NON CE <input type="checkbox"/>	Stand- 	
	120V <input checked="" type="checkbox"/>	277V <input checked="" type="checkbox"/>		
	230V CE <input type="checkbox"/>	347V <input type="checkbox"/>		

This product conforms to one of more of the above standards. Please contact your local Cooper Controls representative for further information

www.coopercontrol.com
 203 Cooper Circle,
 Peachtree City, GA 30269
 P: 800-553-3879
 F: 800-954-7016