

DESCRIPTION

One of the most popular Corelite fixtures, The Class R2, offers a shallow recessed design ideal for plenum-restricted applications. Now available using the proprietary Cooper Lighting ALM 2.0 LED module, the Class R2-LED continues to provide low-brightness ambient illumination yet dramatically reduces energy consumption and maintenance costs. The R2-LED maintains a very similar distribution to its fluorescent counterpart making it a perfect replacement for current fluorescent fixtures or for new construction opportunities with demanding energy requirements. Available in 2x2, 2x4 and 1x4 fixture sizes, the R2-LED is well suited for any architectural space including open offices, schools, corridors.

Catalog #		Type
Project		
Comments		Date
Prepared by		

SPECIFICATION FEATURES

A ... Construction

Low profile housing constructed of die-formed 20 gauge cold rolled steel with integral 20 gauge gear tray.

B ... Reflectors

High reflectance white powder coat painted reflector system.

C ... Shielding

Linear prismatic fully frosted acrylic lens. Lens is designed to provide low glare ambient illumination while creating evenly luminous side reflectors. Lens secured to housing via injection molded inserts for easy access.

D ... Electrical

Fixture equipped with proprietary Cooper LED modules available in 3000, 3500 or 4000k with a CRI greater than or equal to 85. Removable module features aluminum extrusion providing exceptional thermal management. Modules are driven using universal voltage switch-mode LED drivers. Fixture and modules certified to UL and CUL standards. A 0-10V dimming control is available (standard).

E ... Finish

Fixture housings are high reflectance white using electrostatically applied polyester powder coat paint.

Mounting

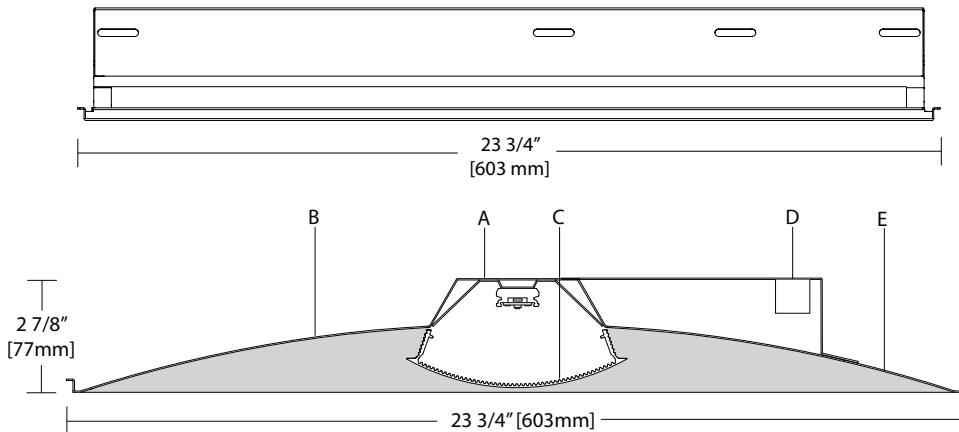
Standard flange design works with most lay-in ceiling types. Integral pryout tabs secure luminaire to ceiling grid from above. Fixture offers tie-in locations for tie-wire on all corners, consult local code for appropriate tie-wire recommendations.



CLASS R2 Linear Prismatic Lens

LED

2'x2' Shallow Recessed
2-7/8" Depth

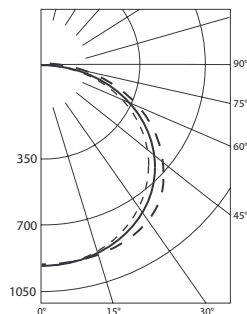


ORDERING INFORMATION

Sample Number: R2-WL-2L35-1C-120V-22-T1

Series R2: Class R2 LED	Shielding L: Frosted_Prismatic	Color Temperature L30: LED, 3000K (subtract 10% from 3500K light levels) L35: LED, 3500K L40: LED, 4000K (add 10% to 3500K light levels)	Wiring ¹ B: Battery Pack C: Standard Circuit D: Dimming E: Emergency T: Nightlight Y: Daylight	Voltage ¹ 120: 120V 277: 277V 347: 347V UNV: Universal (120V-277V)	Ceiling Type T1: 1" Grid, Slot-Grid, 9/16" Tegular T9: 9/16" Grid CC: Concealed Ceiling SU: Surface Mount
Reflector W: White	Light Level 1: Light Level 1 1500mA 2: Light Level 2 2000mA	Number of Circuits 1: 1 Circuit		Size 22: 2' x 2'	

Notes: 1 Not all options available. Please consult your Cooper Lighting Representative for availability. Specifications and dimensions subject to change without notice.



R2-WL-2L35-2x2
2766 Lumens
38.4 Watts
72 LPW
LED ALM 2.0

Test Report: #P22396

Coefficients of Utilization

rc	Effective floor cavity reflectance																						
	80%				70%				50%				30%				10%				0%		
rw	70	50	30	10	70	50	30	10	50	30	10	50	30	10	50	30	10	50	30	10	50	30	10
RCR	0	119	119	119	119	116	116	116	116	111	111	111	106	106	106	102	102	102	102	100	100	100	100
	1	108	102	98	93	105	100	96	92	96	92	89	92	89	86	88	86	83	81	81	81	81	81
	2	97	88	81	75	95	86	80	74	83	77	72	80	75	71	76	72	69	67	67	67	67	67
	3	88	77	69	62	86	76	68	61	73	66	60	70	64	59	67	62	58	56	56	56	56	56
	4	81	68	59	52	78	67	58	52	64	57	51	62	55	50	60	54	49	47	47	47	47	47
	5	74	61	51	45	72	60	51	44	58	50	44	55	49	43	54	48	43	41	41	41	41	41
	6	68	55	45	39	67	54	45	39	52	44	38	50	43	38	49	42	38	35	35	35	35	35
	7	63	50	41	34	62	49	40	34	47	39	34	46	39	34	44	38	33	31	31	31	31	31
	8	59	45	36	30	57	44	36	30	43	36	30	42	35	30	41	34	30	28	28	28	28	28
	9	55	41	33	27	54	41	33	27	40	32	27	39	32	27	38	31	27	25	25	25	25	25
	10	52	38	30	25	50	38	30	25	37	30	25	36	29	25	35	29	24	23	23	23	23	23

Zonal Lumen Summary

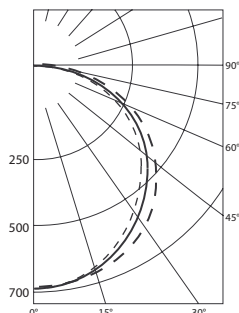
Zone	Lumens	% Lamp	% Fixture
0-30	708	N.A.	25.6
0-40	1157	N.A.	41.8
0-60	2055	N.A.	74.3
0-90	2766	N.A.	100
40-90	1608	N.A.	58.2
60-90	711	N.A.	25.7
90-180	0	N.A.	0
0-180	2766	N.A.	100

Luminance Data

Angle in Deg	0-Deg cd/sm	45-Deg cd/sm	90-Deg cd/sm
45	2277	2509	2728
55	2062	2460	2838
65	1822	2507	3138
75	1617	2760	3710
85	1511	3359	4736

Candela

Angle	0-Deg	23-Deg	45-Deg	68-Deg	90-Deg
0	912	912	912	912	912
5	911	910	907	906	906
10	898	897	896	894	894
15	876	875	877	880	882
20	842	843	848	855	859
25	798	800	811	823	829
30	744	749	767	785	793
35	685	693	718	744	754
40	620	632	664	696	709
45	550	565	606	645	659
50	477	496	545	590	606
55	404	426	482	536	556
60	332	357	421	485	507
65	263	290	362	431	453
70	201	228	306	371	393
75	143	171	244	305	328
80	91	118	177	233	258
85	45	62	100	129	141
90	0	0	0	0	0



R2-WL-1L35-2x2
2252 Lumens
28.8 Watts
78.2 LPW
LED ALM 2.0

Test Report: #P22405

Coefficients of Utilization

rc	Effective floor cavity reflectance																						
	80%				70%				50%				30%				10%				0%		
rw	70	50	30	10	70	50	30	10	50	30	10	50	30	10	50	30	10	50	30	10	50	30	10
RCR	0	119	119	119	119	116	116	116	116	111	111	111	106	106	106	102	102	102	102	100	100	100	100
	1	108	102	98	93	105	100	96	92	96	92	89	92	89	86	88	86	83	81	81	81	81	81
	2	97	88	81	75	95	86	80	74	83	77	72	80	75	71	76	72	69	67	67	67	67	67
	3	88	77	69	62	86	76	68	61	73	66	60	70	64	59	67	62	58	56	56	56	56	56
	4	81	68	59	52	78	67	58	52	64	57	51	62	55	50	60	54	49	47	47	47	47	47
	5	74	61	51	45	72	60	51	44	58	50	44	56	49	43	54	48	43	41	41	41	41	41
	6	68	55	45	39	67	54	45	39	52	44	38	50	43	38	49	42	38	35	35	35	35	35
	7	63	50	41	34	62	49	40	34	47	39	34	46	39	34	44	38	33	31	31	31	31	31
	8	59	45	36	30	57	44	36	30	43	36	30	42	35	30	41	34	30	28	28	28	28	28
	9	55	41	33	27	54	41	33	27	40	32	27	39	32	27	38	31	27	25	25	25	25	25
	10	52	38	30	25	50	38	30	25	37	30	25	36	29	25	35	29	24	23	23	23	23	23

Zonal Lumen Summary

Zone	Lumens	% Lamp	% Fixture
0-30	576	N.A.	25.6
0-40	942	N.A.	41.8
0-60	1673	N.A.	74.3
0-90	2252	N.A.	100
40-90	1310	N.A.	58.2
60-90	579	N.A.	25.7
90-180	0	N.A.	0
0-180	2252	N.A.	100

Luminance Data

Angle in Deg	0-Deg cd/sm	45-Deg cd/sm	90-Deg cd/sm
45	1811	1998	2172
55	1638	1963	2258
65	1451	2000	2502
75	1284	2192	2956
85	1183	2663	3780

Candela

Angle	0-Deg	23-Deg	45-Deg	68-Deg	90-Deg
0	743	743	743	743	743
5	742	741	739	738	738
10	732	730	730	729	729
15	713	712	714	716	718
20	685	686	690	696	700
25	650	652	660	670	675
30	606	611	624	639	646
35	557	564	584	605	613
40	505	514	541	567	577
45	447	460	493	524	536
50	388	405	444	481	494
55	328	347	393	436	452
60	270	291	343	394	412
65	214	236	295	351	369
70	164	186	249	302	320
75	116	140	198	248	267
80	74	96	144	190	210
85	36	51	81	106	115
90	0	0	0	0	0