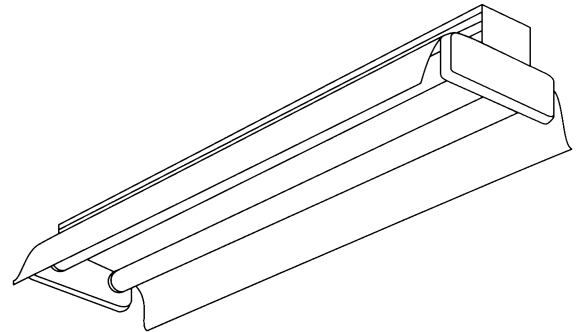


TYPE NO. \_\_\_\_\_

CATALOG NO. \_\_\_\_\_

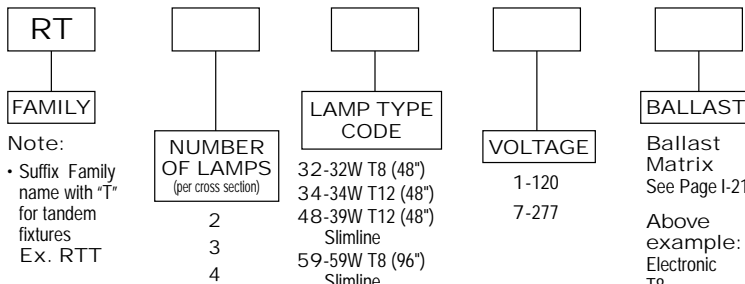


# Turret Industrial (RT)



## ORDERING INFORMATION

Catalog Number: Example: RT2321K2Y



Note:  
 • Suffix Family name with "T" for tandem fixtures  
 Ex. RTT

Order reflectors separately as follows:  
 RTA REFL- baked white enamel with 15% aperture (Standard)  
 RTS REFL- solid top baked white enamel  
 RTPA REFL- porcelain with 15% aperture  
 RTPS REFL- solid top porcelain

NUMBER OF LAMPS (per cross section)  
 2  
 3  
 4

LAMP TYPE CODE  
 32-32W T8 (48")  
 34-34W T12 (48")  
 48-39W T12 (48") Slimline  
 59-59W T8 (96") Slimline  
 96-60W T12 (96") Slimline  
 44-44W T8 (48") High Output  
 60-60W T12 (48") High Output  
 86-86W T8 (96") High Output  
 95-95W T12 (96") High Output  
 115-115W T12 (48") VHO  
 215-215W T12 (96") VHO

VOLTAGE  
 1-120  
 7-277

BALLAST  
 Ballast Matrix See Page I-21  
 Above example: Electronic T8 Instant Start 2 Lamp Generic

OPTIONS  
 Options List See Page I-22  
 Suffix catalog number with Option Code

## PRODUCT FEATURES

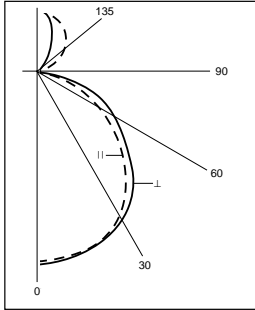
- Spring-loaded turret sockets provide wide 6" lamp spacing for two-lamp units and insure proper pin contact.
- Rigid 4 ft. reflector with deep lateral embossments includes a return edge for maximum uniformity.
- Grooved channel housing for extra strength and stability allows use of slide grip hangers.
- Combination end plate/coupler assures integrity of row alignment. (Heavy-duty 10" coupler available).
- UL Damp Location labels are standard with this series.
- New options available:

- A12 Prismatic Lens
- Cracked Ice Lens
- Metalized Plastic Parabolic Louvers
- Aluminum Parabolic Baffles
- Decorative Reflectors
- Reflectors with "Silver-coated Strip"
- Wireguards

## PRODUCT AVAILABILITY

Family	Nominal Size	Number of Lamps (per cross section)	Number of Lamps (per fixture)	Lamp Type Code	Length	Width	Height
RT	4'	2	2	32, 34	49 3/8"	13"	6 5/8"
		3	3	32, 34			
		4	4	32, 34			
RT	4'	2	2	48	48"	13"	6 5/8"
		3	3	48			
		4	4	48			
		2	2	44, 60			
		3	3	44, 60			
		2	2	115			
RT	8'	2	2	59, 96	96"	13"	6 5/8"
		3	3	59, 96			
		4	4	59, 96			
		2	2	86, 95			
		3	3	86, 95			
		2	2	215			
RTT	8'	2	4	32, 34	98 3/4"	13"	6 5/8"
		3	6	32, 34			
RTT	16'	3	6	59, 96	192"	13"	6 5/8"
		3	6	86, 95			

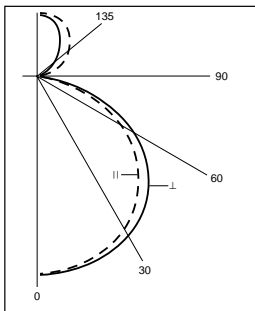
## Two-Lamp Photometric Data



Coefficients of Utilization  
Floor Cavity Reflectance 0.20

Room Cavity Ratio	RC	80%			50%			10%		
	RW	50	30	10	50	30	10	50	30	10
1	90	87	84		81	78	75	68	65	64
2	79	75	72		71	68	64	60	58	55
3	70	64	61		63	59	55	53	51	47
4	62	56	51		56	52	48	48	45	40
5	56	49	43		49	45	41	43	39	34
6	50	43	37		42	40	35	38	34	29
7	45	38	32		37	35	30	34	30	25
8	41	34	28		33	31	26	31	26	22
9	37	30	25		30	27	23	28	23	19
10	34	27	23		27	24	21	25	21	17

## Three-Lamp Photometric Data



Coefficients of Utilization  
Floor Cavity Reflectance 0.20

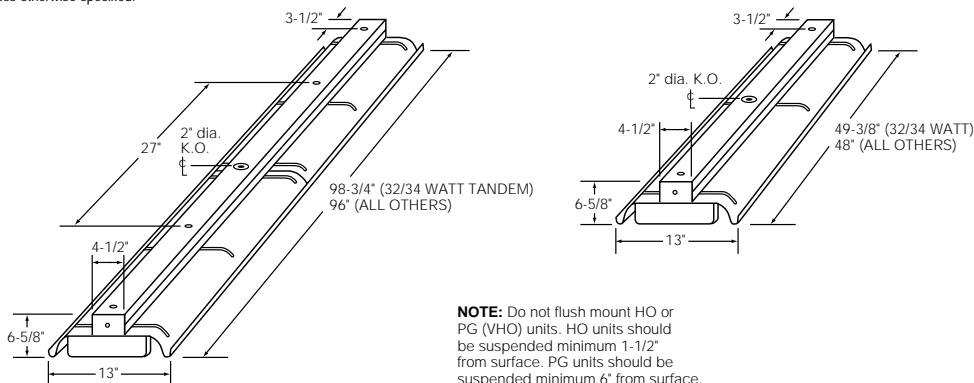
Room Cavity Ratio	RC	80%			50%			10%		
	RW	50	30	10	50	30	10	50	30	10
1	92	88	85		82	79	76	68	66	64
2	81	76	72		72	68	64	60	58	56
3	71	65	61		64	59	55	53	51	48
4	63	56	51		57	52	48	48	45	42
5	57	49	43		49	45	41	43	40	36
6	51	43	37		42	40	35	38	35	31
7	46	38	32		37	35	30	34	31	27
8	41	34	28		33	31	26	31	27	24
9	37	30	25		30	27	23	28	24	22
10	34	27	23		27	24	21	25	22	18

## SPECIFICATIONS

Housing is die-formed of cold-rolled steel and grooved along its entire length for strength and rigidity. All metal components are phosphate coated and finished in baked white enamel. Heavy-duty four foot reflectors are formed with deep lateral embossments and include a return edge for additional stability and uniformity. Standard reflectors have 15% aperture and provide 15° lateral shielding. Reflector finish is either baked white enamel or porcelain as specified with a minimum reflectance factor of 85%. Sockets are spring-loaded turret type. All fixtures include combination end plate/couplers. Units are equipped with high power factor Class "P" ETL-CBM ballasts (120 volt Hz is standard). Fixtures are UL-listed and bear union and UL labels.

## DIMENSIONS

All KO's are 7/8" dia. unless otherwise specified.



**NOTE:** Do not flush mount HO or PG (VHO) units. HO units should be suspended minimum 1-1/2' from surface. PG units should be suspended minimum 6' from surface.

Dimensions and specifications subject to change without notice.