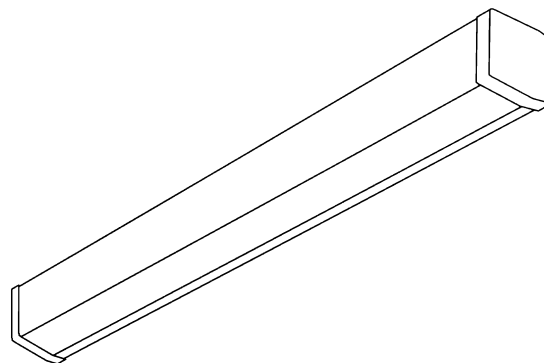
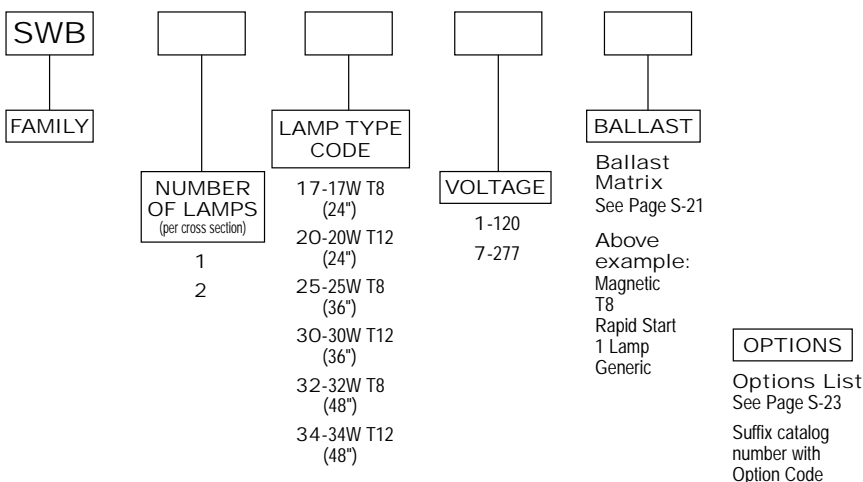


## General Purpose Wall Bracket (SWB)



### ORDERING INFORMATION

Catalog Number: Example: SWB132191Y



### PRODUCT FEATURES

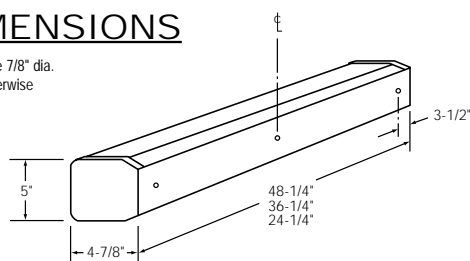
- Stylized design for today's applications.
- Semi-translucent prismatic acrylic lens reduces lamp image while maintaining a high level of efficiency.
- Molded high-impact end caps inhibit the chance of rust or corrosion.
- Shielding's linear prismatic sides help create even illumination in the task area.
- Can be either ceiling or wall mounted, in vertical or horizontal positions.
- Slide-on end caps provide simple, time-saving installation (no tools necessary to relamp).

### PRODUCT AVAILABILITY

Family	Nominal Size	Number of Lamps (per cross section)	Lamp Type Code	Length	Width	Height
SWB	2'	1	17, 20	24 1/4"	4 7/8"	5"
		2	17, 20			
SWB	3'	1	25, 30	36 1/4"	4 7/8"	5"
		2	25, 30			
SWB	4'	1	32, 34	48 1/4"	4 7/8"	5"
		2	32, 34			

### DIMENSIONS

All KOs are 7/8" dia. unless otherwise specified.



Dimensions and specifications subject to change without notice.

### SPECIFICATIONS

Housing assembly is die-formed of cold-rolled steel with adequate knockout locations for all normal installation methods. Baked white enamel finish provides a minimum reflectance factor of 85%. Lens assembly is extruded prismatic virgin acrylic with textured white high-impact molded ends. Fixtures are UL-listed and bear union and UL labels. Standard voltage is 120 volt 60 Hz.