

JOB NAME _____

TYPE _____

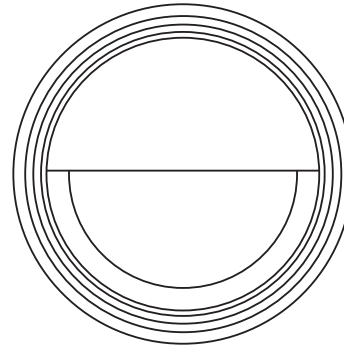


Vandal Resistant
by Day-Brite Lighting

VR15 15" DECORATIVE ROUND LUMINAIRE

Compact Fluorescent 13-57 watts

This specification grade vandal resistant luminaire is designed for durability and performance to withstand today's toughest environments. It is ideal for schools, parking garages, office complexes, or any application prone to vandalism.



STANDARDS

- ETL listed to UL Standards.
- Wet location listed.
- Shallow housing is ADA compliant.

CONSTRUCTION/FINISH

- Marine grade die cast housing.
- One piece injection molded, UV-stabilized polycarbonate guards with color molded throughout.
- Guards are available in four styles: Open, Cross, Eyelid, and Slotted Eyelid.
- Housing finish is textured polyester powder coat.
- Guards and housing are available in three finishes: White, Dark Bronze and Black.
- Stainless steel TORX® T15 pin-in-head tamperproof screws securely attach the guard to the housing. Each screw is provided with a nylon captured washer to prevent the screw from coming loose from the guard.
- The Mid-height casting is provided with 3-1/2" threaded conduit entries.

LENS

- UV-stabilized, polycarbonate injection molded lens, 0.125" minimum thickness.
- Available in clear or translucent white, both with radial prisms to provide superior illumination.

ELECTRICAL

- Ballast is Class P, electronic, high power factor, <10% THD, with starting temperature of 0°F (-18°C).
- Sockets are high temperature thermoplastic.

INSTALLATION

- Luminaire may be wall mounted.
- Four point mounting must be used for maximum vandal resistance, as well as to provide lifetime abuse warranty.

CATALOG NUMBER (example: VR15C32CDU-O-BK)

VR15							
FAMILY		WATTAGE		VOLTAGE		FINISH	
VR15 – Vandal Round Fluorescent		13C – 13 watt PLC 26C – 26 watt PLT 32C – 32 watt PLT 42C – 42 watt PLT 57C – 57 watt PLT		U – Universal (108-305v)		BLANK – Dark Bronze BK – Black WT – White	
LENS		LAMP SOURCE		GUARD		OPTIONS	
W – White Translucent Polycarbonate C – Clear Ribbed Polycarbonate		C – Compact Fluorescent Single Lamp ¹ D – Compact Fluorescent Double Lamp ² T – Compact Fluorescent Triple Lamp ³		O – Open C – Cross E – Eyelid ES – Slotted Eyelid ⁴		BLANK – No Lamps LP – Lamp Included BDL940/E – Integral DEB-9 Emergency Ballast ³ GLR – Fusing	

NOTES:

- ¹ Shallow surface mounting standard.
- ² Shallow surface mounting standard except when using two 57W PLT which requires the semi-recessed housing.
- ³ Semi-recessed housing standard.
- ⁴ Available in CFL only.

Accessories:

T15TPTOOL – TORX® T15 Pin-in-head screwdriver

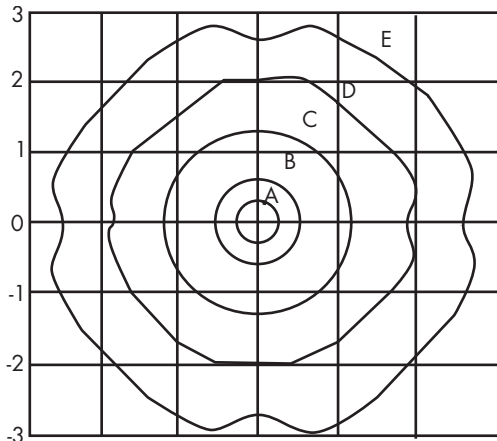
vr15
2020

VR15 15" DECORATIVE ROUND LUMINAIRE



LIFETIME ABUSE WARRANTY

- Day-Brite VR15 luminaires are engineered to resist extreme physical abuse. When properly installed per the instructions provided, any VR15 luminaire utilizing a polycarbonate lens that is found to be inoperable due to physical abuse will be replaced or repaired at no additional cost for the duration of the initial installation. This warranty does not cover anti-social human behavior involving chemicals, fire, paint, or gunfire. Components that are yellowed due to ultraviolet radiation/heat are excluded.



UNITS SHOWN IN TERMS OF MOUNTING HEIGHT
INITIAL FOOTCANDLES SHOWN

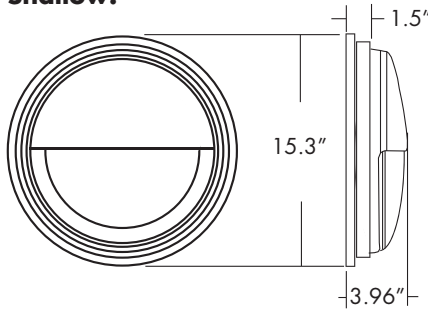
CATALOG NUMBER: VR15C42CDU-O
LAMP: 2PLT42/41/4P, rated at 3200 lumens each

Ceiling Mounted Height (in feet) Horizontal Plane Isofootcandle

	8	10	12
A	10.00	6.40	4.44
B	5.00	3.20	2.22
C	2.00	1.28	0.89
D	1.00	0.64	0.44

DIMENSIONS

Shallow:



- Note:**
- A minimum of .25" clearance is needed between deep wall mounting plate and wall opening in recessed installations.
 - Wire way for flat mounting.

Semi-Recessed:

