

PRODUCT SPECIFICATIONS

LIGHT ENGINE

LED: Tightly binned Cree® high-brightness white LEDs maintain excellent fixture to fixture color consistency. Mechanically secured to heatsink. Delivers 93+ CRI in all available color temperatures.

BINNING: Color variation within 2-step MacAdam ellipse.

CONNECTOR: IDEAL PowerPlug® Luminaire Disconnect, female. Also supplied with hardware adaptor which includes an IDEAL PowerPlug® Luminaire Disconnect, male and wire pigtail.

DRIVER: Integral electronic driver for 120/277V 50/60Hz operation. Electronic driver compatible with trailing edge and leading edge dimming at 120V only.

SYSTEM POWER CONSUMPTION: 11.8W (750 lm module), 14.7W (1000 lm module).

DIMMING: TRIAC/ELV dimming standard for 120V only with flicker-free dimming down to 10% of total lumen output.

RATED LED LIFE: 50,000 hours at 70% lumen maintenance, based on IESNA LM 80-2008 standard (L70, B50).

PHOTOMETRIC TESTING: Tested in accordance to IESNA LM-79-2008.

LABELS: IC rated. cULus c lassified. ENERGY STAR qualified. Title 24 2013 compliant. UL Damp listed. UL Wet listed with applicable trim. CEC listed.

WARRANTY: 5 year limited warranty.

TRIM






TRIM: Die-cast aluminum. Twist & Lock mounting allows easy field installation and tight ceiling fit.

INSTALLATION

RECESSED HOUSING: Installs in most 4", 5" and 6" recessed housings.



4" Aperture shown

				
Maximum installation compatibility	Twist & Lock feature for easy trim installation	Flicker-free TRIAC/ELV dimming down to 10% lumens	50,000 hours at 70% lumen maintenance	5 year limited warranty

PRODUCT CODE:		TYPE:	
PROJECT:	CONTACT:		DATE:

ORDERING INFORMATION

LIGHT ENGINE#:
(Example: DRD2M7927)

TRIM#:
(Example: DRD2TR4SWH)

LIGHT ENGINE:

PRODUCT CODE	
<input type="checkbox"/> DRD2M ^(1,2)	Module
LUMENS (Watts)	
<input type="checkbox"/> 7	750 lm (11.8W)
<input type="checkbox"/> 10 ⁽³⁾	1000 lm (14.7W)
CRI	
<input type="checkbox"/> 9	93+ CRI
CCT	
<input type="checkbox"/> 27	2700K
<input type="checkbox"/> 30	3000K
<input type="checkbox"/> 35	3500K
<input type="checkbox"/> 40	4000K
CONNECTOR OPTION	
<input type="checkbox"/> DRD2A1	Edison Adapter
<input type="checkbox"/> DRD2A2	GU-24 Adapter
<input type="checkbox"/> DRD2A3	Male-to-Male IDEAL Adapter

TRIM:

PRODUCT CODE	
<input type="checkbox"/> DRD2T	Trim
SHAPE	
<input type="checkbox"/> R	Round
<input type="checkbox"/> S ^(4,5,6)	Square
<input type="checkbox"/> D ^(7,8,11)	Deep
APERTURE	
<input type="checkbox"/> 4	4" Aperture
<input type="checkbox"/> 5	5" Aperture
<input type="checkbox"/> 6	6" Aperture
STYLE	
<input type="checkbox"/> S	Smooth
<input type="checkbox"/> B	Baffle
<input type="checkbox"/> W ⁽⁹⁾	Wall Wash
<input type="checkbox"/> WET ⁽⁹⁾	Wet Location
FINISH	
<input type="checkbox"/> WH	White
<input type="checkbox"/> BK	Black
<input type="checkbox"/> SW	Silver Reflector, White Flange
<input type="checkbox"/> AZ ⁽¹⁰⁾	Low Iridescent Reflector, White Flange and Baffle
<input type="checkbox"/> CC	Custom

Notes:

¹ Provided with integral electronic driver for 120/277V 50/60Hz operation

² Supplied with hardwire adaptor which includes an IDEAL PowerPlug® Luminaire Disconnect, male and wire pigtail

³ 1000 lm module not applicable with 4" IC housing

⁴ Only available in 4" aperture

⁵ Only available in smooth style

⁶ Not compatible with 4" remodel housing

⁷ Only available in 6" aperture

⁸ Only available in smooth or baffle style

⁹ Only available in white finish

¹⁰ Only available in deep shape

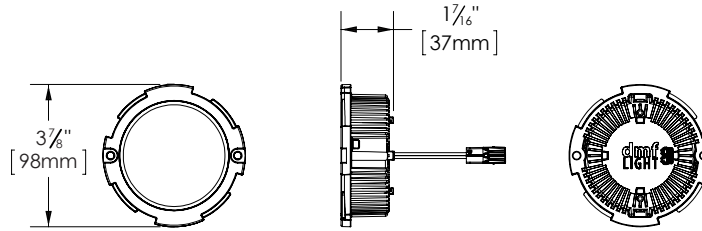
¹¹ Only available in white, low iridescent or custom finish

PRODUCT CODE:	TYPE:	
PROJECT:	CONTACT:	DATE:

LIGHT ENGINE DIMENSIONS

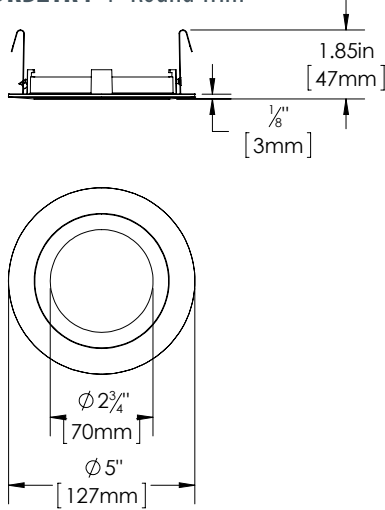
Light engine includes LED chip, die-cast heatsink, driver and optical system. Fits trims in the DRD2T series. Equipped with a 2-pole connector that mates with male connector inside the frame/housing.

DRD2M LED Module

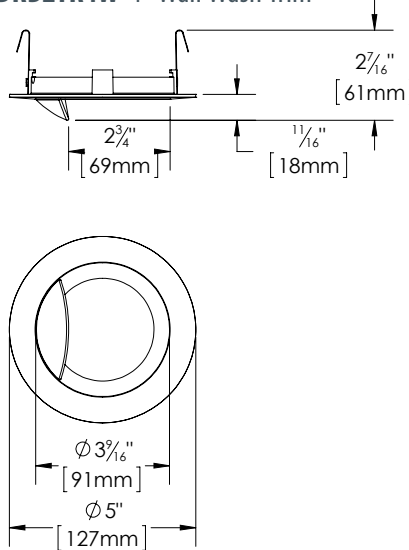


TRIM DIMENSIONS

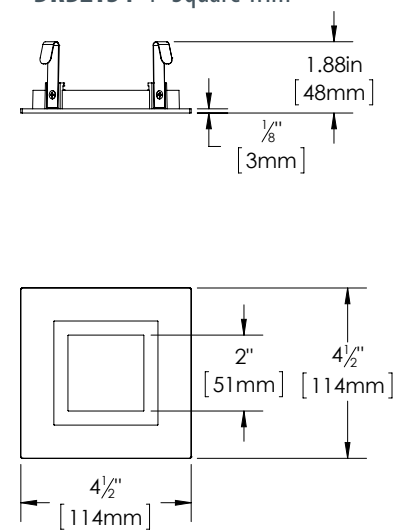
DRD2TR4 4" Round Trim



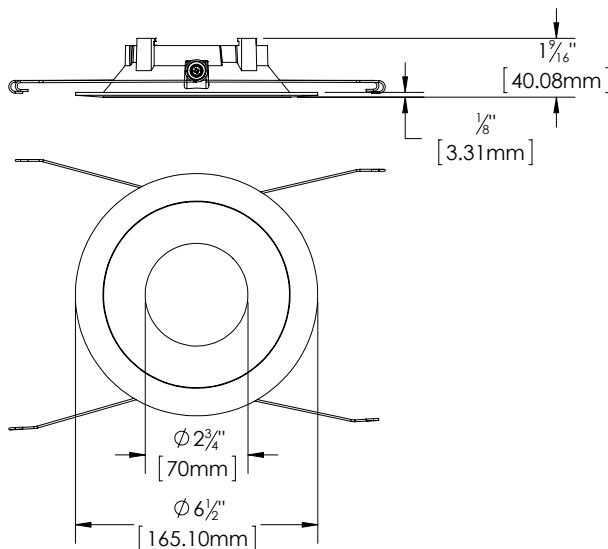
DRD2TR4W 4" Wall Wash Trim



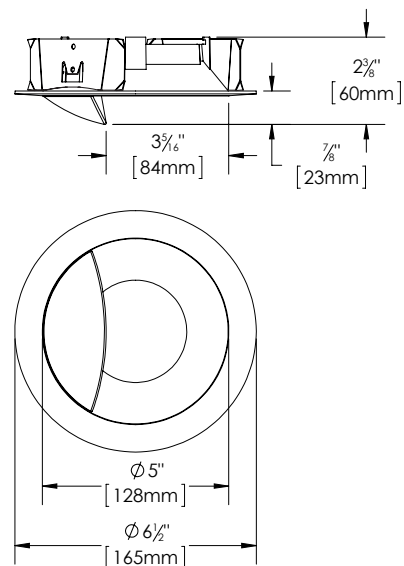
DRD2TS4 4" Square Trim



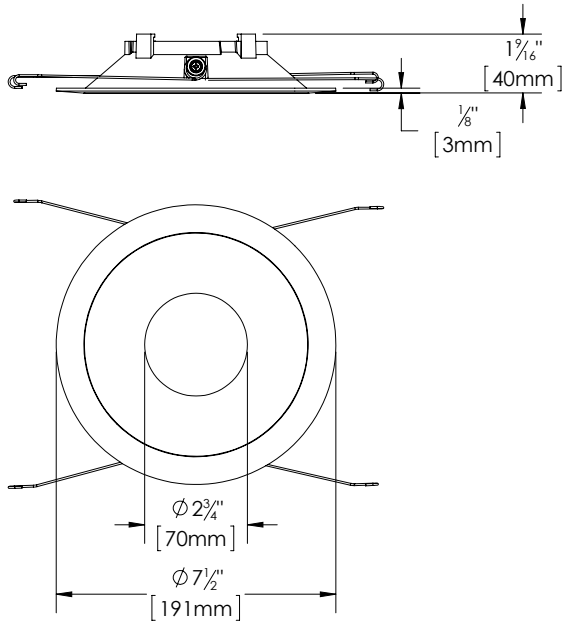
DRD2TR5 5" Round Trim



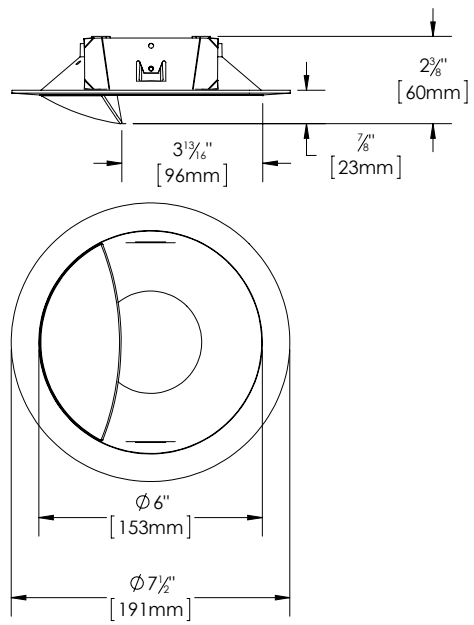
DRD2TR5W 5" Wall Wash Trim



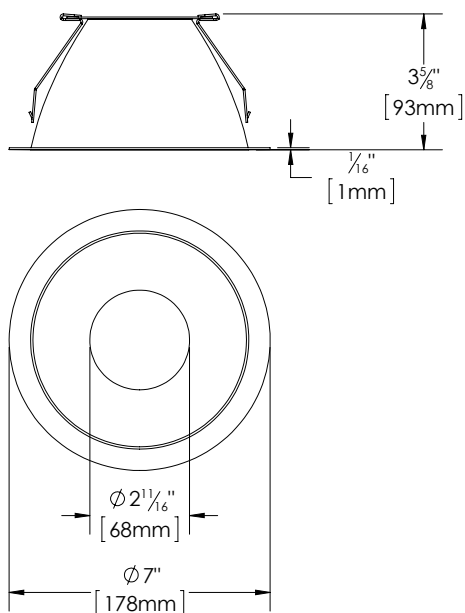
DRD2TR6 6" Round Trim



DRD2TR6W 6" Wall Wash Trim



DRD2TD6 6" Deep Trim



LED & DRIVER INFORMATION

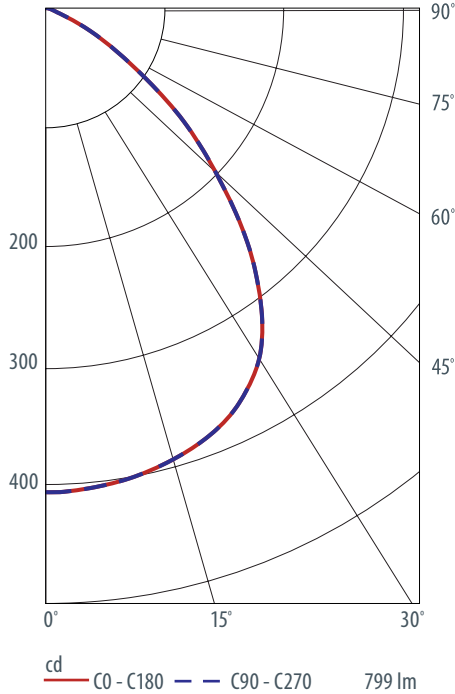
	DRD2M7	DRD2M10
DELIVERED LUMEN OUTPUT (LM)	750	1000
RATED POWER (W)	11.8	14.7
EFFICACY (LM/W)	64	68
COLOR CONSISTENCY	2-step SDCM	
CCT OPTIONS	2700K, 3000K, 3500K, 4000K	
COLOR RENDERING INDEX	93+	
CRI /R9	50	
LIFETIME (L70)	50,000	
MAX AMBIENT OPERATING TEMPERATURE	40°C	
INPUT VOLTAGE (V)	120/277V, 50/60Hz	
INPUT CURRENT AT 120V (MAX)	0.10A	0.13A
INPUT CURRENT AT 277V (MAX)	0.042A	0.053A
POWER FACTOR	>0.9	
TOTAL HARMONIC DISTORTION	<20%	
DIMMING	100%-10%, see page 1 for dimming details	

DIMMER COMPATIBILITY

Dimmer Brand	Series	Model number	DRD2M7 per dimmer			DRD2M10 per dimmer		
			Min	Max	Dim level	Min	Max	Dim level
Cooper	Decorator	DAL06P	1	12	1%	1	10	2%
	Decorator	DLC03P	1	12	1%	1	10	1%
	Slide Dimmer	SLC03P	1	10	1%	1	8	1%
Crestron	iLux	CLS-EXP-DIMU	1	85	12%	1	68	12%
	DIN Rail	DIN-1DIM4	1	55	8%	1	44	8%
	Green Light	GLX-DIM6	1	85	10%	1	68	10%
	Green Light Express	GLXX-2DIM8	1	12	10%	1	9	10%
Legrand	Adorne	ADPD703TU	2	12	10%	2	9	10%
	Harmony	H703PTU	2	10	10%	2	8	10%
	Harmony	HCL453P	1	16	10%	1	13	10%
Leviton	Decora	6673-10W	3	10	11%	3	8	12%
	Decora IllumaTech	IPI06-1LZ	3	10	11%	3	8	7%
		6631-2	3	10	1%	3	8	7%
		IPE04	1	5	5%	1	4	6%
	SureSlide	6633-P	3	10	1%	3	8	1%
		6161	1	12	14%	1	10	16%
		6615	1	6	10%	1	5	10%
		6621-P	1	12	10%	1	10	10%
	Trimatron	6683-1W	3	10	6%	3	8	6%
	Vizia+	VPE06	1	10	8%	1	8	10%
VP106		3	10	1%	3	8	8%	
Lightolier	MultiSet Pro	MSP300QE	1	12	10%	1	10	10%
	Sunrise	ZP260QE	1	10	10%	1	8	10%
Lutron	Ariadni	AYLV-600P	1	12	10%	1	10	10%
	Diva	DV600P	3	10	5%	3	8	5%
		DVELV303P	1	5	5%	1	4	6%
		DV603P	3	10	5%	3	8	6%
	Diva CL	DVCL-153P	1	12	10%	1	10	10%
	Faetra	FAELV500	1	9	10%	1	7	11%
	Lum�e�a	LG600P	3	10	6%	3	8	6%
	Maestro	MAW600	3	10	7%	3	8	13%
		MAELV600	1	10	9%	1	8	10%
	Maestro CL	MACL-153M	1	10	9%	1	8	6%
	Radio RA2 Maestro	RRD-6NA	1	12	10%	1	10	10%
	Skylark	S-603PG	3	10	5%	3	8	6%
		S600P	3	10	2%	3	8	3%
		SELV300P	1	5	6%	1	4	6%
	Skylark CL	SCL-153P	1	10	7%	1	8	8%
	Skylark Contour	CT103P	3	18	7%	3	14	9%
Toggler	TG-603PGH	1	12	10%	1	10	10%	
Toggler CL	TGCL-153P	1	10	6%	1	8	6%	

PHOTOMETRICS

LIGHT ENGINE: DRD2M7930
TRIM: 6 Inch Round Smooth



LUMINOUS INTENSITY

Gamma	C 0°
0.0°	406
5.0°	404
10.0°	400
15.0°	394
20.0°	386
25.0°	373
30.0°	351
35.0°	316
40.0°	265
45.0°	208
50.0°	154
55.0°	100
60.0°	55
65.0°	24
70.0°	8
75.0°	4
80.0°	1
85.0°	0
90.0°	0

Values in candela

APPLICATION REFERENCE

LED Module	Flux (lm)	Power (W)	Downlight Spacing (ft)	Average Illuminance (fcd)	Max/Min	LPD (W/sq ft)
DRD2	799	11.7	4x4	49	1.41	0.7
			6x6	25	1.1	0.37
			8x8	12	1.36	0.18

Calculation area: 50'(L) x 40'(W) x 10'(H).
LLF 1.0, 80/50/20 Reflectance, 2.5'(H) workplane.
Spacing criteria: 1.28

ZONAL LUMEN SUMMARY

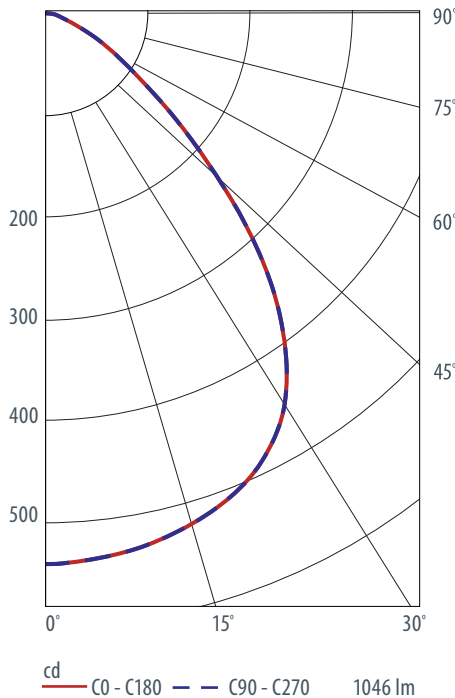
Zone	Lumens	%Luminaire
0-30	321	40.2%
0-40	517	64.6%
0-60	768	96.1%
0-90	799	100%
0-180	799	100%

COLOR TEMPERATURE MULTIPLIER

CCT	Relative lumen factor*
2700K	0.87
3000K	1.00
3500K	1.00
4000K	1.07

*Value based upon testing with 3000, 95CRI. Lumen output of other color temperature can be determined by multiplying the relative lumen factor.

LIGHT ENGINE: DRD2M10930
TRIM: 6 Inch Round Smooth



LUMINOUS INTENSITY

Gamma	C 0°
0.0°	540
5.0°	537
10.0°	531
15.0°	523
20.0°	510
25.0°	492
30.0°	461
35.0°	411
40.0°	342
45.0°	256
50.0°	172
55.0°	112
60.0°	74
65.0°	48
70.0°	27
75.0°	12
80.0°	6
85.0°	2
90.0°	0

Values in candela

APPLICATION REFERENCE

LED Module	Flux (lm)	Power (W)	Downlight Spacing (ft)	Average Illuminance (fcd)	Max/Min	LPD (W/sq ft)
DRD2	1046	13.5	4x4	64	1.39	0.81
			6x6	32	1.09	0.43
			8x8	16	1.27	0.20

Calculation area: 50'(L) x 40'(W) x 10'(H).
LLF 1.0, 80/50/20 Reflectance, 2.5'(H) workplane.
Spacing criteria: 1.26

ZONAL LUMEN SUMMARY

Zone	Lumens	%Luminaire
0-30	425	40.6%
0-40	679	65.0%
0-60	980	93.7%
0-90	1046	100%
0-180	1046	100%

COLOR TEMPERATURE MULTIPLIER

CCT	Relative lumen factor*
2700K	0.93
3000K	1.00
3500K	1.00
4000K	1.07

*Value based upon testing with 3000, 95CRI. Lumen output of other color temperature can be determined by multiplying the relative lumen factor.