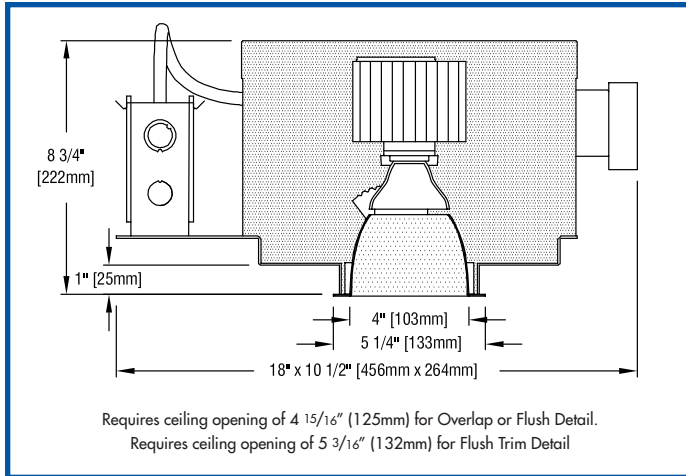


DL LED XSM/4

recessed LED downlight

LED
0-050

FULLY SUSTAINABLE – FULLY SUSTAINABLE – FULLY SUSTAINABLE – FULLY SUSTAINABLE – FULLY SUSTAINABLE – FULLY SUSTAINABLE – FULLY SUSTAINABLE



FEATURES

DL LED XSM/4 is an efficient, 4" aperture, LED downlight powered by one of a number of Xicato® LED modules – including Artist Series and Vibrant Series modules – all of which are distinguished by extraordinary color consistency (within 1 x2-step MacAdam ellipse). See tables on the reverse for wattages and efficacies.

Luminaire includes an internal reflector to produce a 20° spot, 40° flood or 60° wide flood beam spread. To allow beam spread to be changed after installation, internal reflectors are also available as accessories.

Precise external reflector design minimizes aperture brightness and provides a shielding angle of 40°. Recess depth is 8 3/4".

Standard driver of 2000-lumen Artist Series model permits dimming to 10% by a 0-10V dimmer on 120-volt or 277-volt service. Standard driver for all other models permits dimming to 1% by a 0-10V dimmer on 120-volt or 277-volt service.

An optional integral holder permits the use of one or two of a number of Optical Accessories including lenses and color filters.

External reflectors are available in three clear natural aluminum finishes — semi-specular (C), slightly diffuse (V) or fully diffuse (EC) — as well as champagne gold or black Alzak®. Other finishes available on special order.

A LightPlate trim may be used instead of an external reflector.

Luminaire includes a pair of mounting bars (3/4" x 27" C channel). Specialty bars for wood joists and T-bar installations are also available.

APPLICATIONS

Luminaire is recommended for downlighting in commercial, retail and residential spaces.

Luminaire is listed as an inherently protected luminaire and does not require a thermal protector. Luminaire is prewired, approved for ten #12 wire 90°

branch circuit pull-through wiring and suitable for use in a fire rated ceiling. Luminaire is listed for Damp Location and is RoHS compliant. Removal of the reflector allows access to the junction box.



SPACING REQUIREMENT

The 2000A model of this luminaire must be spaced 36" apart and 18" from walls, and must have 1/2" clearance above housing.

MODIFICATIONS AVAILABLE ▼ See next page

PRODUCT CODE

For complete product code, list basic unit and select one item from each following box.

Basic UnitDL-XSM2-4DL

Light Output

700 lumens / CRI 97 Artist.....	L07A
1000 lumens / CRI 97 Artist.....	L10A
1000 lumens / CRI 80+.....	L10S
1300 lumens / CRI 97 Artist.....	L13A
1500 lumens / CRI 80+ Vibrant 3000K only	L15V
1500 lumens / CRI 80+.....	L15S
2000 lumens / CRI 97 Artist ... Note: Spacing Requirements	L20A
2200 lumens / CRI 80+ Vibrant 3000K only.....	L22V
2200 lumens / CRI 80+.....	L22S

Light Color

2700 K.....	- 27K
3000 K.....	- 30K
3500 K.....	- 35K
4000 K.....	- 40K

Beam Spread Reflector (specify one to ship with fixture)

20° spot	- 20D
40° flood	- 40D
60° wide flood	- 60D

Voltage: standard luminaire operates on either 120 or 277 service

Reflector Color and Detail	Overlap	Flush	Trim Flush*
Semi-specular Clear.....	COL.....	CFL.....	CTF
Slightly diffuse Clear.....	VOL.....	VFL.....	VTF
Fully diffuse Clear.....	ECOL.....	ECFL.....	ECTF
Champagne Gold.....	GOL.....	GFL.....	GTF
Black.....	BOL.....	BFL.....	BTF

Other reflector finishes available on special order.

Standard reflector flange continues reflector finish. White painted flanges and custom painted flanges are available on special order. Add WF (white flange) or CCF (custom color flange).

*Trim Flush reflector trim requires the use of a plaster ring Accessory (see below).

A LightPlate may be ordered instead of a standard reflector above (see next page).

LightPlate **Downlight Spot**, white.....DP-OL.....DP-TF

Custom painted trims for LightPlate are available on special order. Add -CC

OPTIONS

Specify by adding to the basic unit.

Dimmable ...2000A models: standard driver dimmable to 10% with 0-10V dimmer on 120 or 277 volt service **all other models:** standard driver dimmable to 1% with 0-10V dimmer on 120 or 277 volt service

Dimmable to 1% with Lutron driver, compatible with Lutron 3-wire fluorescent dimmer or EcoSystem Bus Control and suitable for 120 or 277 volt operation D3D-LU

Integral holder for one or two Optical Accessories (see over) G

Emergency battery pack Fixture footprint increases to 21 1/8" x 10 1/2" EM

ACCESSORIES

Specify as separate line item.

Plaster ring allows use of 4 7/8" OD Trim Flush (-TF) reflector in sheetrock ceiling: 5 3/16" dia hole required TF RING/4

EXTRA REFLECTORS

Specify as separate line items.

20° spot reflector	XSM-REF20
40° flood reflector	XSM-REF40
60° wide flood reflector	XSM-REF60

OPTICAL ACCESSORIES

▼ See next page



41-50 22ND STREET, LIC NY 11101 TEL 718.685.0700 FAX 718.786.8530 www.epl.com
U.S. Patent No. US 7,744,256 B2 (June 29, 2010)

©Copyright, Edison Price Lighting 2013

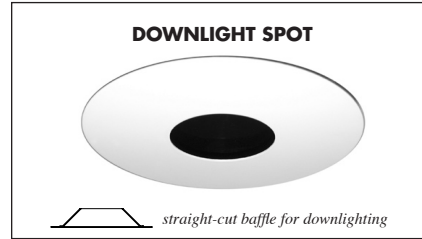
11:13

MODIFICATIONS AVAILABLE

Contact factory with quantity for pricing; orders may require shop drawing approval.

- +DOD:** luminaire suitable for **high humidity** environments; add +DOD to Product Code.
- +MAR:** reflector suitable for **marine** environments; add +MAR to Product Code.
- +TR:** reflector prepared for **top relamping**; add +TR to Product Code.

LIGHTPLATE LightPlate may be used instead of standard reflectors.



OPTICAL ACCESSORIES Specify as separate line

All are 3 3/4" (95mm) diameter.
Lenses and filters are glass; screens are aluminum.

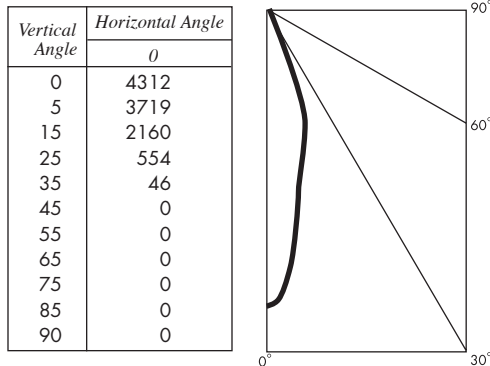
prismatic lens (Solite)	PLS/3.75	color filters	surprise pink	PNK/3.75
55° spread lens	LENS/3.75		daylight blue	DAY/3.75
40° x 70° spread lens	LENS/3.75-4070		amber	AMB/3.75
beam smoother	CLR/3.75		blue	BLU/3.75
33% light reduction screen	SCR33/3.75		green	GRN/3.75
50% light reduction screen	SCR50/3.75		red	RED/3.75

PHOTOMETRIC REPORT (tested per IESNA LM-79-2008)

(LTL) Report No. 226175. Original Luminaire Testing Laboratories, Inc. (LTL) test reports furnished upon request.

Luminaire recessed LED round downlight with semi-specular clear aluminum reflector
 Lamp Xicato XSM LED with 40° beam spread integral reflector, 3000K CCT, 1500 lumens
 Lamp Life rated 50,000 hours based on L70/B50 criteria. LM80 report by LED manufacturer furnished upon request
 Spacing Criteria 0.5 (0.7 for 60° reflector, 0.4 for 20° reflector)
 Luminaire light output..... 1244 lumens

CANDLEPOWER DISTRIBUTION (Candela)



ZONAL LUMEN SUMMARY

Zone	Lumens	% Fixture
0 - 30°	1196	96.1
0 - 40°	1243	99.9
0 - 60°	1244	100.0
0 - 90°	1244	100.0
90 -180°	0	0.0
0 -180°	1244	100.0

REFLECTOR COLOR MULTIPLIERS

Semi-specular clear (C)	1
Slightly diffuse clear (V)	.95
Fully diffuse clear (EC)	.88
Champagne gold clear (G)	.95
Black (B)	.49

STANDARD (0-10V DIMMING) DRIVER INFORMATION UL Class 2, dry and damp location

Voltage	120	277
Input Watts (700A/1000A/1300A/2000A/1000/1500/2000/2200 lumens)	16/21/32/47/15/23/34	16/21/32/47/15/23/34
Input Current (A) (700A/1000A/1300A/2000A/1000/1500/2000/2200 lumens)	.13/.18/.27/.39/.13/.19/.28	.06/.08/.12/.17/.05/.08/.12
Output Current (mA)	500/700/1050	500/700/1050
Min. Power Factor	>0.9	>0.9
Operating Temperature Range (F)	-4 to 122	-4 to 122

LIGHT OUTPUT MULTIPLIER

LED Light Engine	Light Output Multiplier	EM Light Output Multiplier (90-minute run)
700 Lumens Artist	.45*	.12*
1000 Lumens Artist	.57*	.16*
1300 Lumens Artist	.76*	.16*
2000 Lumens Artist	1.10*	.26*
1000 Lumens standard	.66*	.26*
1500 Lumens standard & Vibrant	1	.40*
2200 Lumens standard & Vibrant	1.30*	.40*

*estimated values

LUMINANCE DATA

Vertical Angle	Candelam ²
45	0
55	0
65	0
75	0
85	0

LUMINAIRE LIGHT OUTPUT AND EFFICACY (40° beam spread integral reflector)

LED Light Engine	Luminaire Light Output	Luminaire Efficacy (lms/watt)	System Wattage
700 Lumens Artist	556*	36	16
1000 Lumens Artist	704*	34	21
1300 Lumens Artist	945*	29	32
2000 Lumens Artist	1363*	29	47
1000 Lumens standard	826*	55	15
1500 Lumens standard & Vibrant	1244	53	23
2200 Lumens standard & Vibrant	1616*	48	34

*estimated values