

LED 12W BR30 75w Replacement, Energy Star

12w = 75W
LED Incandescent

Stock No.	Product Description
LED-1739-30K	BR30-120-12-1-3000K 12w 927 lumens Dimming
LED-1739-60K	BR30-120-12-1-6000K 12w 927 lumens Dimming
LED-1739-60K-277	BR30-120-12-1-6000K 12w 944 lumens Non-Dimming

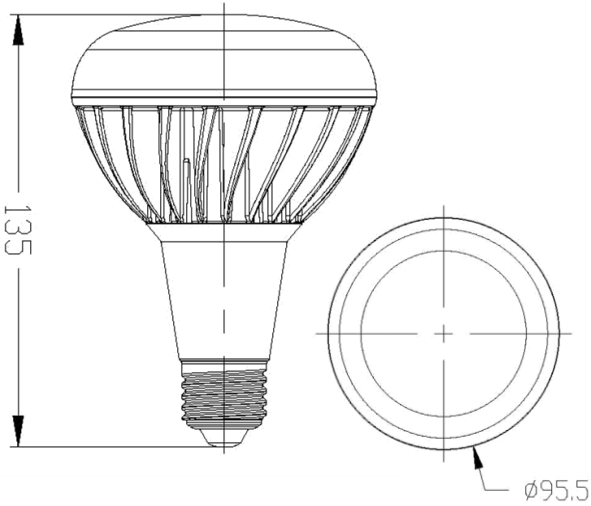
Description:
 BR30 LED lamp, fully encapsulated, 12 Watt, E26 medium base. Replaces 75w BR30 halogen/incandescent or equivalent CFL. Multiple SMD LED design provides a wide 120° light spread with no visible LED hot-spots. Dimmable with CFL/LED compatible dimmer

- 12w power consumption
- 120° Beam angle
- 120VAC Dimmable
- 277VAC Non-Dimmable
- Available in 3000K or 6000K CCT
- >80 CRI
- 50,000 Rated L70 LED life
- White finish
- UL Listed (US & C)
- Energy Star rated (3000K)
- 5 Year warranty

Applications:
 The 12w LED lamp has been designed to retrofit existing incandescent and/or CFL installations in recessed fixtures, thereby reducing maintenance and energy expenditures - and as an energy saving light source for new fixtures and installations.

- Task lighting
- Hospitality lighting
- Recessed down-lighting
- Residential lighting

Packaging:
 Master-pack: 25 each



Technical Specifications			
Bulb Type	BR30	Mounting	E26 Edison Base
Bulb Material	Aluminum/Plastic	LEDs:	SMD LEDs
Power Consumption	12 watts	Beam Angle	120 °
Initial Lumens	927 / 944 Lumens	Dimmable	Yes (120V only)
Efficacy	Up to 79 LPW	Replaces	75w Halogen / Incandescent
Rated LED Life	Up to 50,000 Hrs.	CCT	3000K 6000K
Power Factor:	>90	CRI:	> 80
IR / UV	None	Mercury / Lead Content	None
Warranty	5 year Limited	Dimensions	5.3" X 3.75"

Note: All specification information falls within a ± 2% range and is subject to change without notice.

NOTE: Light Efficient Design is providing this information to the general public. Please note that all products contained herein are trademarked, copyrighted, and/or have patents pending. Any use of these designs is strictly prohibited without prior written consent. Light Efficient Design protects its proprietary information vigorously in the courts of the United States of America.



188 S. Northwest Highway • Cary, IL 60013
(847) 380-3540 • FAX: (847) 380-3542
www.led-llc.com