

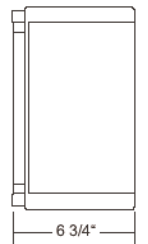
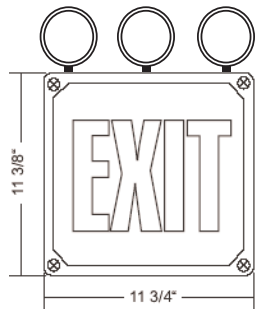
Catalog Number	
Notes	Type



NEMA 4X EXIT COMBO

NEMA 4 & 12

Weatherproof Exit Sign w/ 2 or 3 heads Battery Backup or AC only



Description:

Precision molded industrial fiberglass LED Exit sign to be used in wet or hazardous environments. Perfect for food processing plants, outdoor stadiums, or wash down areas. The unit door is crystal clear acrylic attached to the housing with 4 weatherproof screws, and is fully gasketed. The 4X Series provides bright even legend illumination, during both normal AC-ON and through battery backup upon utility failure.

Electrical:

- Dual voltage input, 120/277 VAC. Contact factory for other voltages.
- Line latching.
- Constant current solid state voltage limited charger.
- Solid state transfer switching.
- Circuit design includes brownout protection, low voltage battery disconnect, and short circuit protection.
- Includes sealed momentary test switch and AC-ON visual indicator

Housing:

- Watertight and corrosion resistant fiberglass, UL wet location listed.
 - Industrial grey finish, front lens is crystal clear acrylic.
 - Front cover is fully gasketed.
 - All electronic components including Nickel Cadmium batteries are prewired and assembled onto internal wireway chassis.
 - Minimal installation wiring is needed.
- NEMA 3,3R,4,4X,12,&13

Battery:

- Sealed, maintenance free Lead Calcium.
- For use in high temperature environments.
- The battery is protected from deep discharge by a low volt age disconnect circuit.
- 90 minutes minimum discharge.

LED Lamps:

- Ultra high brightness Aluminum Gallium Phosphate (AlInGaP) LEDs.
- Both AC and Battery operation utilize the same set of LEDs. Brightness increases during battery operation.

Lamp Heads

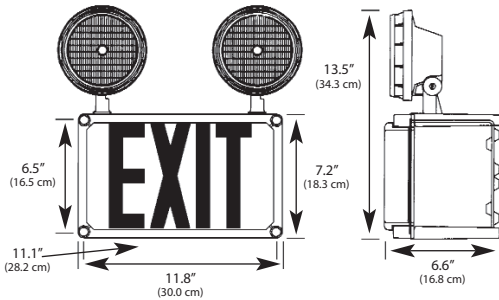
Par 36, sealed beam, weather proof, screw back terminal. Specify 2 or 3 heads.

Listing/Code Compliance:

- UL 924 listed
- Life Safety NFPA 101, NEC/OSHA
- NYC MEA/BEC, Local Laws 16 & 41.

Warranty:

- Battery, 5 year pro-rata.
- LED lamps, 25 years
- Charger board, 5 years.



6" Letter Dimensions

ORDERING INFORMATION

SAMPLE CAT#: LE4X-8R1

EXIT Only

LE4X

Series	Letter Size	Letter Color	Faces	Accessories
LE4X Battery	8 8" Letters	R Red	1 1 Face	IR IR Test Option
LA4X AC-Only	6 6" Letters	G Green		IRRM IR Remote Unit
				NY NYC Approved
				CMB Clg mtd brackets
				PMB Pole mtd brackets

EXIT Combo

LC8

Series	Letter Size	4X
LC8 Battery	8 8" Letters	NEMA 3,3r,4,4X,12,13
	6 6" Letters	

ENERGY DATA

Charge Mode (Fully Discharged Battery)

LE4X Series (NiCad Battery)

Input (VAC)	Input Current (ma)	Watts
120	25.2	2.5
277	11	2.7



Office: 718-418-5600 • Fax: 718-418-5618

57-10 49th Place • Maspeth, N.Y. 11378

www.encorelighting.com

P/N75-1011 (05/05)