

DESCRIPTION

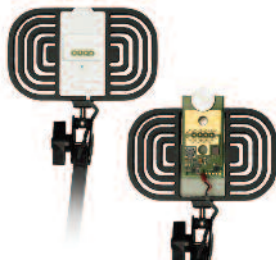
The Reach *by Finelite* can deliver up to 49 lumens per watt, full range QuickTouch™ dimming, and a field-replaceable LED module, the Reach delivers breakthrough performance backed by LM-79 testing, LM-80 data, and a 5-year, worry-free warranty.

Date

Project

Type

Comments



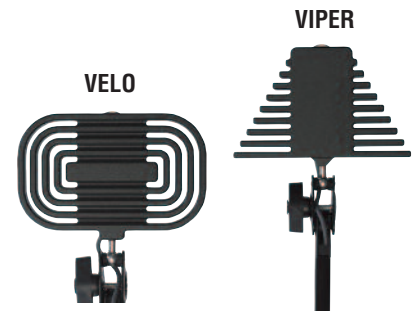
REPLACEABLE LED MODULE:

LED modules are easily replaced. State of the art high performance LED array. Contact factory for current specification



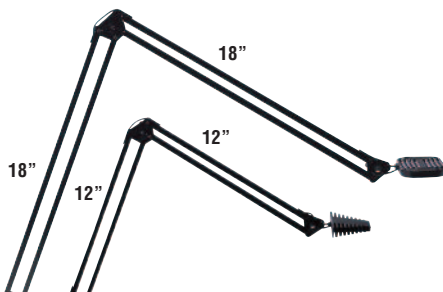
FULL RANGE QUICKTOUCH™ DIMMING:

Dims to 5% of light output. Designed without a hard stop for durability.



LUMINAIRE STYLE OPTIONS:

Reach comes in two unique head designs. Velo and Viper. Both feature the same optical performance.



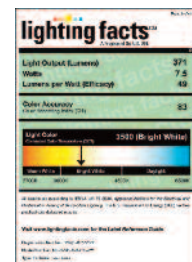
ARM LENGTHS:

Reach is available with an 12" and 18" length arm.



8W POWER SUPPLY:

The power supply draws no power during off-state.



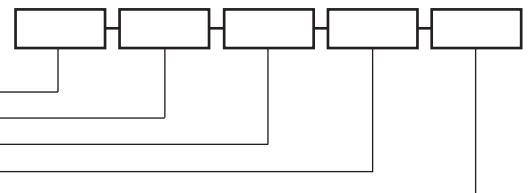
LIGHTING FACTS LABEL:

Finelite is a manufacturer partner of the DOE's SSL Quality Advocates program.

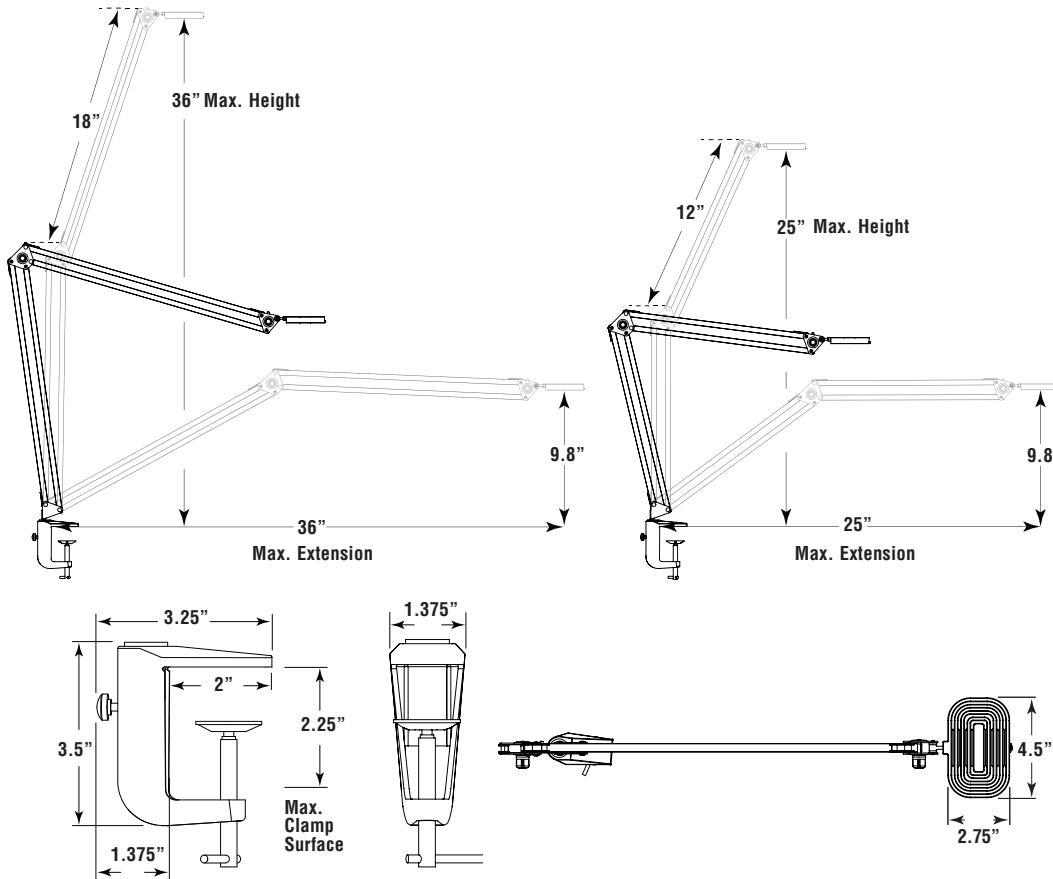
ORDERING GUIDE

Sample Number: DL-R – VE – 12" – B – PS-8W

- Lamp (DL-R) _____
- Head Design (VE - Velo, VI - Viper) _____
- Arm Length (12", 18") _____
- Finish (Black standard) _____
- Power Supply (PS-8W) _____



DIMENSIONAL DRAWINGS



MOUNTING OPTIONS

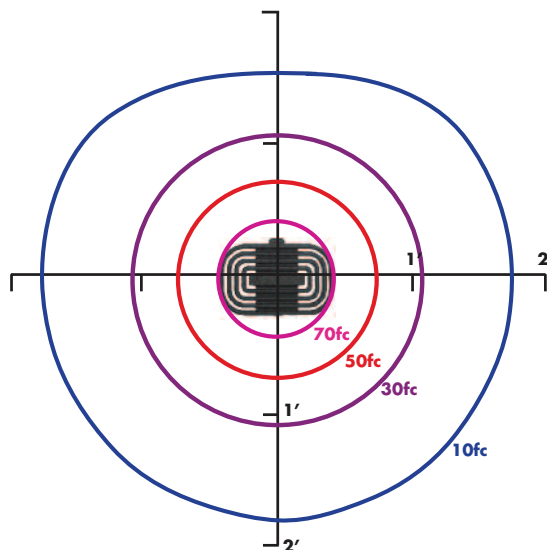


DESK CLAMP

The desk clamp is standard on reach and secures to desks up to 2.25" thick.

PHOTOMETRIC PERFORMANCE

Forward throw beam comfortably illuminates the entire task area with a single desk lamp.



Lamp head is 16" above desk surface at full light output.
Download LM-79 test report at www.finelite.com.

worry-free
5
year
warranty

5 year warranty on all Reach *by Finelite™* components.

TECHNICAL SPECIFICATIONS

- Buy American Act of 2009 Compliant
- Field-replaceable LED module
- Efficacy (Lumens per Watt): Velo: 49.5 / Viper: 47.9
- Light Output (Lumens): Velo: 371 / Viper: 359
- Color Temperature: 3500k
- Color Rendering (CRI): Velo: 83 / Viper: 82
- L₇₀: Rated for 100,000 hours to 70% of initial lumens*
- Max Case Temperature: (T_C): Velo: 55.7°C / 61.3°C
- Power Consumption: 8W max
- State of the art high performance LED array. Contact factory for current specification.
- QuickTouch™ dimming to 5% of full light output
- LM-79 tested and LM-80 data is available
- Complies with FCC requirements for commercial and residential use
- Compatible with Personal Lighting System (PLS)
- End of life statement: Curve is 96% recyclable at the end of its useful life
- RoHS compliant



* L₇₀ lifetime is estimated by the LED manufacturer based on independent testing of the Curve luminaire.

8W POWER SUPPLY

- Consumes no power in off-state
- Input Voltage 100-240v VAC 50-60hz (input wattage to 8W max.)
- Output Voltage: 24 VDC (output wattage to 6.5W max.)
- Output Jack: 1 x 2.5 mm
- Dimensions: 3.5" x 4.3" x 1.4"
- Finish: Matte Black
- ETL Listed
- Supplied with 5' AC power cord

