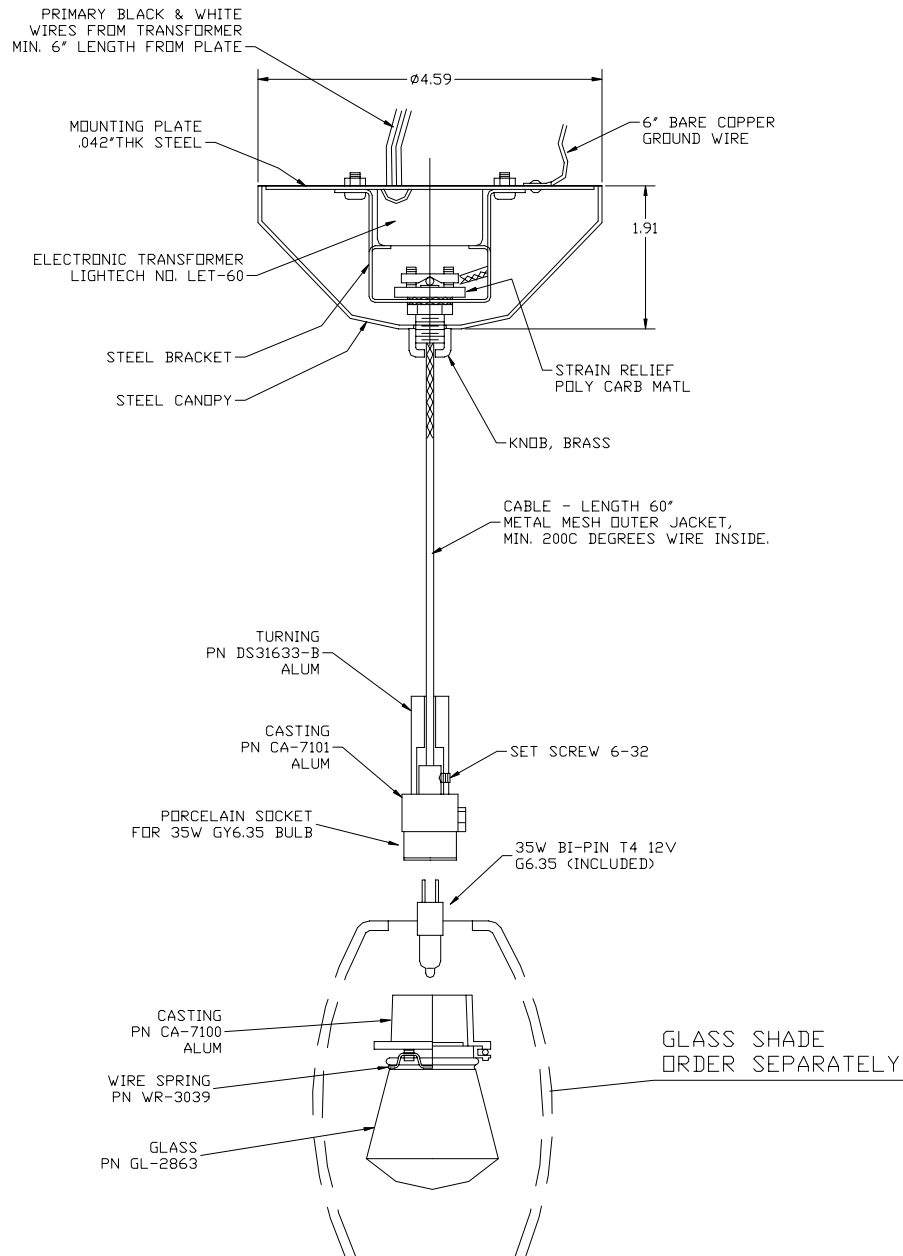


Specification Sheet

Mini Pendant Holder

Model: F5312-36 Satin Nickel
F5312-68NV Deep Bronze
F5312-81 White



Optional Glass: Purchased Separately
Finishes: Satin Nickel -36, Deep Bronze -68, White - 81
Low Voltage Electronic Transformer 120V 60Hz
Lamp: 1 - 35Watt BiPin 12Volt GY6.35 Base (Lamp Included)
Label: cULus Listed. Suitable for Dry Locations.