

FEATURES

OPTICAL SYSTEM

- Self-flanged, semi-specular or matte-diffuse reflector.
- Patented Bounding Ray™ Optical Principle design (U.S. Patent No. 5,800,050) provides lamp before lamp image and smooth transition from top of reflector to bottom. Minimum flange matches reflector finish.
- Highly reflective outer kicker reflector provides smooth, uniform illumination floor to ceiling, edge to edge. Inner cone is contoured to eliminate room side flash. For optimal uniformity, the recommended luminaire spacing is 3' from the wall and 3' centers.
- Hinged lampdoor seals upper trim for optimal fixture efficiency and the reduction of stray light in the plenum.

MECHANICAL SYSTEM

- 16-gauge galvanized steel mounting/plaster frame with integral yoke to retain optical system. Maximum 2-1/4" ceiling thickness.
- 16-gauge galvanized steel with continuous 4" vertical adjustment, are shipped pre-installed. Post installation adjustment possible without the use of tools from above or below the ceiling.
- Galvanized steel junction box with bottom-hinged access covers and spring latch. Two combination 1/2"-3/4" and two 1/2" knockouts for straight-through conduit runs. Capacity: 8 (4 in, 4 out) No. 12 AWG conductors rated for 90°C.

ELECTRICAL SYSTEM

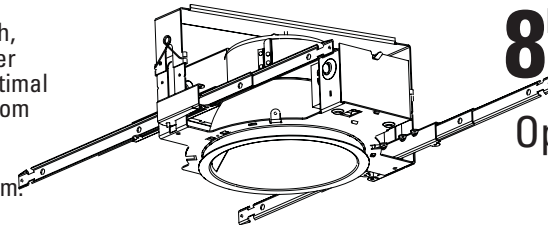
- Horizontally-mounted, positive latch thermoplastic socket(s).
- Class P, thermally-protected, high power factor ballast(s) mounted to the junction box.
- Simply5™ technology available. **SIMPLY5™** LIGHTING INTELLIGENCE

LISTING

- Fixtures are UL Listed for thru-branch wiring, Non-IC recessed mounting and damp locations. Listed and labeled to comply with Canadian Standards (see Options).

Type

Catalog number

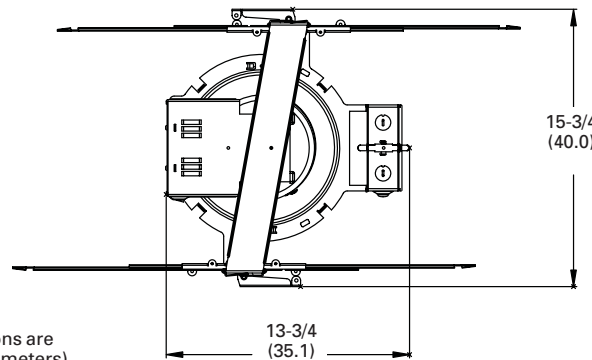
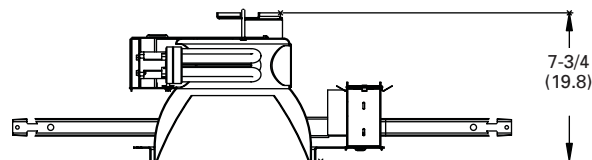


Compact Fluorescent Lighting

8" AFW

Open Wallwash

Horizontal Lamp
Triple-Tube



All dimensions are inches (centimeters)

ORDERING INFORMATION

Example: **AFW 2/32TRT 8AR MVOLT**

Choose the boldface catalog nomenclature that best suits your needs and write it on the appropriate line.

AFW

Series	Wattage/Lamp	Aperture/Trim color	Finish	Lens Type	Voltage	Ballast ³	Options
AFW	1/18TRT	8AR Clear	(blank) Semi-specular	(blank) No lens	MVOLT²	(blank) Electronic ballast	WLP 3500°K lamp (shipped separately)
	1/26TRT	8PR Pewter		CGL Clear glass lens	120	DMHL⁴ Lutron Hi-Lume® electronic dimming ballast. Minimum dimming level 5%	TRW White painted flange
	1/32TRT	8WTR Wheat	LD Matte-diffuse	CAL Clear acrylic lens	277		ELR⁶ Emergency battery pack. Remote test switch provided
	1/42TRT	8WR¹ White painted		PCL Clear polycarbonate lens	347	ADEZ⁴ Advance Mark X™ electronic dimming ballast. Minimum dimming level 5%	EL^{6,7} Emergency battery pack with integral test switch
	2/18TRT					S⁵ SIMPLY5™ system ballast	ELHL^{6,7} High lumen output emergency battery pack. Integral test switch provided
	2/26TRT					S5HW SIMPLY5™ system ballast less reloc	ELRHL⁵ High lumen output emergency battery pack. Remote test switch provided
	2/32TRT						GMF⁸ Single, slow-blow fuse
	2/42TRT						LRC⁹ Provides compatibility with Lithonia Reloc System.
							HW Hardwire for S5 system; replaces Reloc
							CP¹⁰ Chicago Plenum
							GLR⁸ Single, fast blow fuse
							DS Dual switching
							BDP¹¹ Ballast disconnect plug

NOTES

- 1 Not available with finishes.
- 2 Multi-volt electronic ballast capable of operating on any line voltage from 120V through 277V, 50 or 60Hz.
- 3 For additional ballast types, refer to Technical Bulletins tab.
- 4 Available in 120V or 277V only.
- 5 Simply5™ includes 9" S5 MLC Reloc wiring system (shipped separately). Available in 120V or 277V only. Not available in 18W. See simply5.net for more information.
- 6 For dimensional changes, refer to Technical Bulletins tab.
- 7 Not available with lens.
- 8 Not available with MVOLT. Must specify voltage.
- 9 For compatible Reloc systems, refer to Technical Bulletins tab.
- 10 Not available with EL or ELR option.
- 11 Meets codes that require in-fixture disconnect.



GOTHAM ARCHITECTURAL DOWNLIGHTING
1400 Lester Road Conyers Georgia 30012
P 800 315 4982 F 770 860 3129
www.gothamlighting.com

AFW 8 TRT DCF-200

8" AFW Wallwash

TECHNICAL INFORMATION

Footcandle values are initial and tables are based on minimum of six units. For fixture-to-wall distance other than those shown, use maximum of one- to-one spacing (distance between fixtures not more than distance to wall) for best results.

Fixture/lamp

Candlepower data

Footcandle values

AFW 1/32TRT 8AR

(1) CF32DT/E/IN/835 lamp
2400 rated lumens per lamp
Test no. LTL17625

Vertical Angle	Wall	Plane angle						
		22.5	45	67.5	90	112.5	135	157.5
0	1183	1183	1183	1183	1183	1183	1183	1183
5	1170	1174	1149	1110	1062	1017	988	966
15	818	860	886	875	866	867	853	794
25	667	691	686	652	613	592	586	596
35	477	506	500	445	389	401	443	457
45	248	277	282	250	199	226	235	194
55	141	140	121	106	84	59	43	41
65	82	79	67	50	32	16	5	2
75	44	41	34	24	14	6	2	1
85	10	10	8	6	3	1	1	1
90	0	0	0	0	0	0	0	0

ft. from ceiling	Wallwash Illuminance Study (fc)								
	Illuminance on wall from 6 luminaires								
	Luminaire mounted 3 ft. from wall			Luminaire mounted 3 ft. from wall			Luminaire mounted 3 ft. from wall		
	3 ft. between luminaires	4 ft. between luminaires	5 ft. between luminaires	3 ft. between luminaires	4 ft. between luminaires	5 ft. between luminaires	3 ft. between luminaires	4 ft. between luminaires	5 ft. between luminaires
1	3	3.5	4	3	3.5	4	3	3.5	4
2	7	7	7	6	4	6	6	3	6
3	13	12	13	10	8	10	9	6	9
4	16	15	16	13	11	13	11	8	11
5	18	17	18	14	13	14	12	9	12
6	17	17	17	13	12	13	11	9	11
7	14	14	14	11	11	11	9	9	9
8	12	12	12	9	9	9	7	7	7
9	10	10	10	8	8	8	6	6	6
10	8	8	8	6	6	6	5	5	5
10	7	7	7	5	5	5	4	4	4

AFW 2/26TRT 8AR

(2) CF26DT/E/IN/835 lamp
1800 rated lumens per lamp
Test no. LTL17624

Vertical Angle	Wall	Plane angle			
		22.5	45	67.5	90
0	1174	1174	1174	1174	1174
5	1244	1228	1209	1195	1189
15	1177	1145	1090	1030	1003
25	892	876	833	781	756
35	619	609	586	534	505
45	349	349	337	302	264
55	120	121	127	123	119
65	60	56	50	45	44
75	33	29	24	20	19
85	8	6	6	4	4
90	0	1	1	1	1

ft. from ceiling	Wallwash Illuminance Study (fc)								
	Illuminance on wall from 6 luminaires								
	Luminaire mounted 3 ft. from wall			Luminaire mounted 3 ft. from wall			Luminaire mounted 3 ft. from wall		
	3 ft. between luminaires	4 ft. between luminaires	5 ft. between luminaires	3 ft. between luminaires	4 ft. between luminaires	5 ft. between luminaires	3 ft. between luminaires	4 ft. between luminaires	5 ft. between luminaires
1	3	3.5	4	3	3.5	4	3	3.5	4
2	6	5	6	5	3	5	4	2	4
3	10	9	10	8	6	8	8	4	8
4	20	19	20	16	13	16	15	9	15
5	24	24	24	18	17	18	16	13	16
6	22	22	22	17	17	17	14	13	14
7	19	19	19	15	14	15	12	11	12
8	16	16	16	13	12	13	10	10	10
9	14	14	14	11	10	11	9	8	9
10	11	11	11	9	9	9	7	7	7
10	9	10	9	7	7	7	6	6	6

AFW 2/32TRT 8AR

(2) CF32DT/E/IN/830 lamp
2400 rated lumens per lamp
Test no. LTL17626

Vertical Angle	Wall	Plane angle			
		22.5	45	67.5	90
0	1507	1507	1507	1507	1507
5	1592	1591	1569	1551	1545
15	1502	1468	1393	1301	1266
25	1147	1125	1058	980	945
35	792	778	743	669	619
45	446	443	423	373	325
55	152	152	157	150	146
65	75	70	61	56	54
75	41	36	30	25	23
85	10	8	7	5	4
90	0	1	1	1	1

ft. from ceiling	Wallwash Illuminance Study (fc)								
	Illuminance on wall from 6 luminaires								
	Luminaire mounted 3 ft. from wall			Luminaire mounted 3 ft. from wall			Luminaire mounted 3 ft. from wall		
	3 ft. between luminaires	4 ft. between luminaires	5 ft. between luminaires	3 ft. between luminaires	4 ft. between luminaires	5 ft. between luminaires	3 ft. between luminaires	4 ft. between luminaires	5 ft. between luminaires
1	3	3.5	4	3	3.5	4	3	3.5	4
2	7	6	7	6	4	6	5	3	5
3	13	12	13	11	8	11	10	5	10
4	25	24	25	21	17	21	19	11	19
5	30	30	30	23	22	23	20	16	20
6	28	28	28	22	21	22	18	16	18
7	25	25	25	19	18	19	15	15	15
8	21	21	21	16	16	16	13	12	13
9	17	17	17	13	13	13	11	11	11
10	14	14	14	11	11	11	9	9	9
10	12	12	12	9	9	9	8	8	8

AFW 2/42TRT 8AR

(2) CF42DT/E/IN/830 lamp
3200 rated lumens per lamp
Test no. LTL17628

Vertical Angle	Wall	Plane angle			
		22.5	45	67.5	90
0	1994	1994	1994	1994	1994
5	2072	2057	2041	2016	2011
15	1945	1906	1811	1698	1659
25	1501	1473	1383	1270	1217
35	1039	1017	971	873	805
45	575	575	554	497	446
55	196	195	199	193	185
65	97	91	79	72	69
75	53	47	39	32	29
85	13	10	9	6	5
90	0	0	1	1	1

ft. from ceiling	Wallwash Illuminance Study (fc)								
	Illuminance on wall from 6 luminaires								
	Luminaire mounted 3 ft. from wall			Luminaire mounted 3 ft. from wall			Luminaire mounted 3 ft. from wall		
	3 ft. between luminaires	4 ft. between luminaires	5 ft. between luminaires	3 ft. between luminaires	4 ft. between luminaires	5 ft. between luminaires	3 ft. between luminaires	4 ft. between luminaires	5 ft. between luminaires
1	3	3.5	4	3	3.5	4	3	3.5	4
2	9	8	9	8	5	8	7	4	7
3	16	15	16	14	10	14	12	7	12
4	33	32	33	27	22	27	25	14	25
5	40	39	40	31	28	31	26	21	26
6	37	37	37	28	27	28	24	21	24
7	32	32	32	25	24	25	20	19	20
8	27	27	27	21	21	21	17	16	17
9	23	23	23	18	17	18	14	14	14
10	19	19	19	15	15	15	12	12	12
10	16	16	16	12	12	12	10	10	10

NOTES:

- For electrical characteristics, consult Technical Bulletin tab.
- Tested to current IES and NEMA standards under stabilized laboratory conditions. Various operating factors can cause differences between laboratory data and actual field measurements. Dimensions and specifications are based on the most current available data and are subject to change without notice.

DCF-200

©2003 Gotham, Rev. 5/09
DCF-200

gotham
An Acuity Brands Company

GOTHAM ARCHITECTURAL DOWNLIGHTING
A DIVISION OF ACUITY LIGHTING GROUP, INC.
1400 Lester Road Conyers Georgia 30012
P 800 315 4982 F 770 860 3129
www.gothamlighting.com