

Gotham Architectural Downlighting  
Compact Fluorescent Downlights

**6" AFV**  
**Open Reflector**

Vertical Lamp  
Double Twin-Tube or Triple-Tube

FEATURES

**OPTICAL SYSTEM**

- Self-flanged, semi-specular or matte-diffuse reflector. Patented Vertisys® - Bounding Ray™ Optical Principle design (US Patent No. 5,800,050).

**MECHANICAL SYSTEM**

- 16-gauge galvanized steel construction; maximum 1-5/8" ceiling thickness.
- Telescopic mounting bars maximum of 32" and minimum of 15", preinstalled, 4" vertical adjustment.
- Toolless post-installation adjustments.
- Junction box capacity: 8 (4 in, 4 out) 12AWG rated for 90°C.

**ELECTRICAL SYSTEM**

- Rugged aluminum lampholder housing.
- Vertically mounted, positive-latch, thermoplastic socket.
- Class P, thermally protected, high-power-factor electronic ballast mounted to the junction box.
- SIMPLY5™ technology available.

**LISTING**

- Fixtures are UL Listed for thru-branch wiring, non-IC recessed mounting and damp locations. Listed and labeled to comply with Canadian standards.

**WARRANTY**

- 1-year limited warranty. Complete warranty terms located at: [www.acuitybrands.com/CustomerResources/Terms\\_and\\_conditions.aspx](http://www.acuitybrands.com/CustomerResources/Terms_and_conditions.aspx)

ORDERING INFORMATION

**EXAMPLE: AFV 32TRT 6AR MVOLT WLP**

Series	Wattage/Lamp	Aperture/Trim color	Finish	Lens type	Voltage	Ballast <sup>3</sup>
<b>AFV</b>	13DTT	<b>6AR</b> Clear	(blank) Semi-specular	(blank) No lens	<b>MVOLT<sup>2</sup></b>	(blank) Electronic ballast
	18DTT	6PR Pewter	<b>LD</b> Matte-diffuse	<b>CGL</b> Clear glass lens	<b>120</b>	<b>ECOS<sup>2,4</sup></b> Lutron® EcoSystem® electronic dimming ballast. Minimum dimming level 5%.
	26DTT	6WTR Wheat		<b>CAL</b> Clear acrylic lens	<b>277</b>	<b>ADEZ<sup>4,5</sup></b> Advance Mark 10® electronic dimming ballast. Minimum dimming level 5%
	13TRT	6WR <sup>1</sup> White painted		<b>PCL</b> Clear polycarbonate lens	<b>347</b>	<b>ADZT<sup>2</sup></b> Advance Mark 7® electronic dimming ballast. Minimum dimming level 5%
	18TRT	6MB <sup>1</sup> Black baffle		<b>T73</b> Tempered prismatic lens		<b>S5<sup>6</sup></b> SIMPLY5™ system ballast. Minimum dimming level 3%
	26TRT	6WB <sup>1</sup> White baffle				
	<b>32TRT</b>					
	42TRT					

Options

<b>EL<sup>5,7</sup></b>	Emergency battery pack with integral test switch	<b>GLR<sup>9</sup></b>	Single, fast-blow fuse	<b>HW</b>	Hardwire for S5 system; replaces RELOC®
<b>ELR<sup>5,7</sup></b>	Emergency battery pack with remote test switch	<b>TRW</b>	White painted flange (standard on MB and WB)	<b>CP<sup>10</sup></b>	Chicago plenum
<b>ELHL<sup>5,7</sup></b>	High-lumen-output emergency battery pack with integral test switch	<b>TRBL</b>	Black painted flange	<b>BDP<sup>10,11</sup></b>	Ballast disconnect plug
<b>ELRHL<sup>5,7</sup></b>	High-lumen-output emergency battery pack with remote test switch	<b>GSKT</b>	Foam gasketing	<b>NSD<sup>12</sup></b>	Sensor Switch® nLight® dimming relay
<b>GMF<sup>8</sup></b>	Single, slow-blow fuse	<b>WLP</b>	With 3500 K lamp (shipped separately)	<b>WL</b>	Wet location; lens required
		<b>LRC<sup>9</sup></b>	Provides compatibility with Lithonia RELOC® System. Access above ceiling required.	<b>WRL<sup>13</sup></b>	Wattage restriction label
				<b>TWS</b>	Twist lock socket

ACCESSORIES order as separate catalog numbers (shipped separately)

<b>SCA6</b>	Sloped ceiling adapter. Degree of slope must be specified (10D, 15D, 20D, 25D, 30D). Ex: SCA6 10D.
<b>CTA4-8 YK</b>	Ceiling thickness adapter. (Extends mounting frame to accommodate ceiling thickness up to 4-1/4" DTT and 3-1/4" TRT)

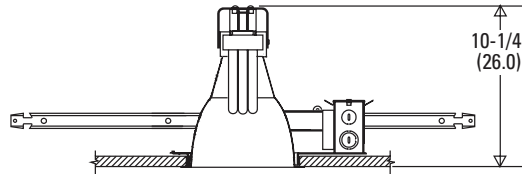
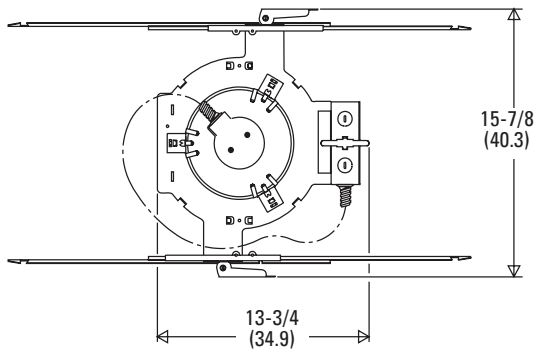
**6" AFV  
Open Reflector**

Vertical Lamp, Double Twin-Tube or Triple-Tube



DIMENSIONAL DATA

All dimensions are inches (centimeters) unless otherwise noted.



Aperture: 6-1/4 (15.9)  
 Ceiling opening: 7-1/8 (18.1)  
 Overlap trim: 7-1/2 (19.1)  
 Lens recess: 1-1/2 (3.8)

**DIMENSIONAL NOTES**

- Maximum height depends on lamp wattage/type, dimensions range from 10-3/4" for 18DTT, 26DTT and 42 TRT; 9-3/8" for 13DTT, 18TRT, 26TRT and 32TRT

ELECTRICAL

ENERGY (Calculated in accordance with NEMA standard LE-5A)					
LER.DOH	Annual* Energy Cost	Lamps	Lamp Lumens	Ballast Factor	Input Watts
32	\$7.44	(1) 26W DTT	1800	1.0	20
39	\$6.12	(1) 26W TRT	1800	1.0	28
38	\$6.34	(1) 32W TRT	2400	0.98	36

\*Comparative yearly lighting energy cost per 1000 lumens

NOTES

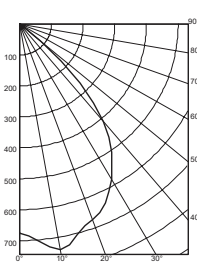
**ORDERING NOTES**

1. Not available with finishes.
2. Multi-volt electronic ballast capable of operating on any voltage from 120V through 277V, 50 or 60 Hz.
3. For additional ballast types, refer to [TECH-250](#).
4. Not available with 13W.
5. Available in 120V or 277V only.
6. SIMPLY5 includes 9' S5 MLC RELOC wiring system (shipped separately). Available in 120V or 277V only. Not available in 13W or 18W. See [simply5.net](#) for more information.
7. For dimensional changes, refer to [TECH-140](#).
8. Not available with MVOLT; must specify voltage
9. For compatible RELOC systems, refer to [TECH-110](#).
10. Not available with EL or ELR option.
11. Meets codes that require in-fixture disconnect.
12. One 5A relay with one 0-10 VDC dimming output, shipped installed. Requires additional nLight bus power supply (nPS80).
13. Must specify wattage: Ex.: WRL32



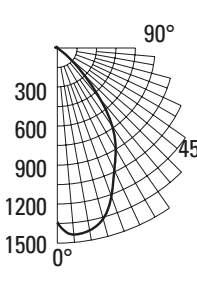
Distribution Curve	Distribution Data	Output Data	Coefficient of Utilization	Illuminance: Single Luminaire 30" Above Floor
--------------------	-------------------	-------------	----------------------------	---

**AFV 26TRT 6AR** (1) PL-T 26W/30/4P LAMP, 1800 RATED LUMENS, 1.2 S/MH, TEST NO. 94021501



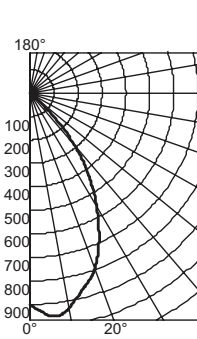
From 0°	Ave Lumens	Zone Lumens %lamp	pf pc pw	80% 50% 30%	20% 70% 50% 30%	50% 50% 30%	Mount height	Initial fc at beam center	50% beam angle 63.7° fc at beam edge	10% beam angle 93.3° fc at beam edge
0°	676	0°-30° 559.4 31.1	1	66 65	65 63	62 61	8'	22.3	6.8' 11.2	11.7' 2.2
5°	706	0°-40° 871.9 48.4	2	61 58	60 57	58 56	10'	12.0	9.3' 6.0	15.9' 1.2
15°	704	0°-60° 1085.5 60.3	3	56 53	55 52	53 51	12'	7.5	11.8' 3.7	20.1' 0.7
25°	639	0°-90° 1085.7 60.3	4	51 48	51 47	49 46	14'	5.1	14.3' 2.6	24.4' 0.5
35°	505	90°-180° 0 0.0	5	47 43	47 43	46 42	16'	3.7	16.8' 1.9	28.6' 0.4
45°	269	0°-180° 1085.7 60.3*	6	44 40	43 39	42 39				
55°	4		7	41 36	40 36	39 36				
65°	0	*Efficiency	8	38 34	37 33	37 33				
75°	0		9	35 31	35 31	34 31				
85°	0		10	33 29	32 29	32 28				
90°	0									

**AFV 32TRT 6AR** (1) PL-T 32W/30/4P LAMP, 2400 RATED LUMENS, 1.1 S/MH, TEST NO. 17111



From 0°	Ave Lumens	Zone Lumens %lamp	pf pc pw	80% 50% 30%	20% 70% 50% 30%	50% 50% 30%	Mount height	Initial fc at beam center	50% beam angle 54.6° fc at beam edge	10% beam angle 89.4° fc at beam edge
0°	1146	0°-30° 787.2 54.7	1	66 64	65 63	62 61	8'	37.9	5.7' 18.9	10.9' 3.8
5°	1150	0°-40° 1177.5 49.1	2	61 58	60 57	58 56	10'	20.4	7.7' 10.2	14.8' 2.0
15°	1012	0°-60° 1430.1 59.6	3	56 53	55 52	53 51	12'	12.7	9.8' 6.4	18.8' 1.3
25°	861	0°-90° 1438.3 59.9	4	52 48	51 47	49 47	14'	8.7	11.9' 4.3	22.8' 0.9
35°	631	90°-180° 0 0.0	5	48 44	47 43	46 43	16'	6.3	13.9' 3.1	26.7' 0.6
45°	308	0°-180° 1438.3 59.9*	6	44 40	44 40	43 39				
55°	20	*Efficiency	7	41 37	41 37	40 36				
65°	6		8	38 34	38 34	37 34				
75°	2		9	36 32	35 32	35 31				
85°	0		10	33 29	33 29	33 29				
90°	0									

**AFV 32TRT 6MB** (1) PL-T 32W/30/4P LAMP, 2400 RATED LUMENS, 1.0 S/MH, TEST NO. 2196071001



Ave Lumens	Zone Lumens % Lamp	pf pc pw	80% 50% 30%	20% 70% 50% 30%	50% 50% 30%	50% beam angle 53.6°	10% beam angle 84.2°
0° 903	0° - 30° 643 26.8	0	50 50 50	49 49 49	47 47 47		
5° 951	0° - 40° 906 37.7	1	46 45 44	45 45 44	44 43 42		
15° 861	0° - 60° 1007 42.0	2	43 41 40	42 41 39	41 40 38		
25° 682	0° - 90° 1007 42.0	3	40 38 36	39 37 36	38 37 35		
35° 428	90° - 180° 0 0.0	4	37 35 33	37 34 33	36 34 32		
45° 134	0° - 180° 1007 42.0	5	35 32 30	34 32 30	33 31 30		
55° 0		6	32 30 28	32 30 28	31 29 28		
65° 0		7	30 28 26	30 27 26	29 27 26		
75° 0		8	28 26 24	28 26 24	28 25 24		
85° 0		9	27 24 22	26 24 22	26 24 22		
90° 0		10	25 22 21	25 22 21	24 22 21		

**PHOTOMETRY NOTES**

- Tested to current IES and NEMA standards under stabilized laboratory conditions.
- Actual performance may differ as a result of end-user environment and application.
- Consult factory or IES file for microgroove baffle, black cone or other photometric reports.