

90° Eyelet End Fixing



Applications

Purpose designed for fixing into concrete, steel and wood:

- Suitable for suspending HVAC and mechanical services
- Suitable for use with Gripple Trapeze No.3 on pre-fabricated module systems

Product Advantages

- Designed for shot-firing into concrete, steel and wood using gas and powder actuated tools
- Replaces beam and purlin clips for steel beams
- Quick and safe, saving time on installation

90° Eyelet End Fixing Sizes

Size	Weight range
No.1	0 – 10kg
No.2	10 – 45kg
No.3	45 – 90kg

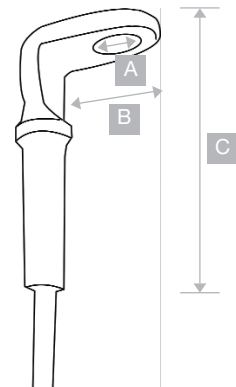
- The above sizes have a 5:1 safety factor.
- Available in lengths 1m to 10m as standard – other lengths on request.

example Item order No.	prefix HF-SEYE90G	- size - length - No.2 - 1m
---------------------------	-----------------------------	---------------------------------------

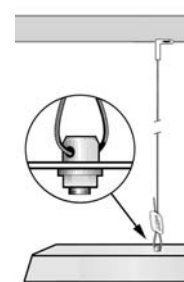
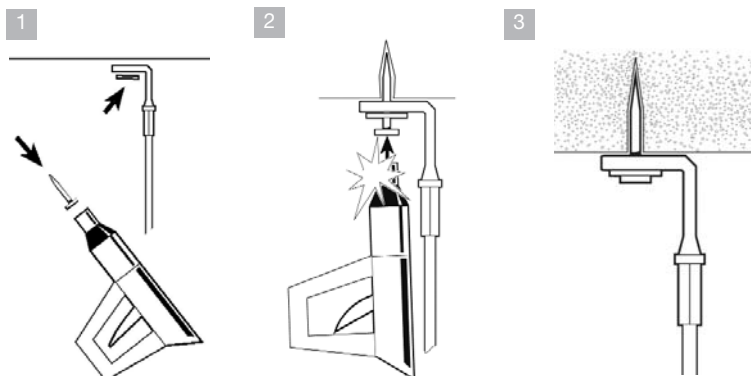
90° Eyelet Specification

The 90° Gripple eyelet end fixing is made from zinc plated steel.

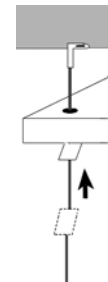
Size	A mm	B mm	C mm
No.1	7.3	22.5	40
No.2	7.3	22.5	40
No.3	7.3	22.5	40



How to Use



Light fixing



Pre-fabricated module systems