



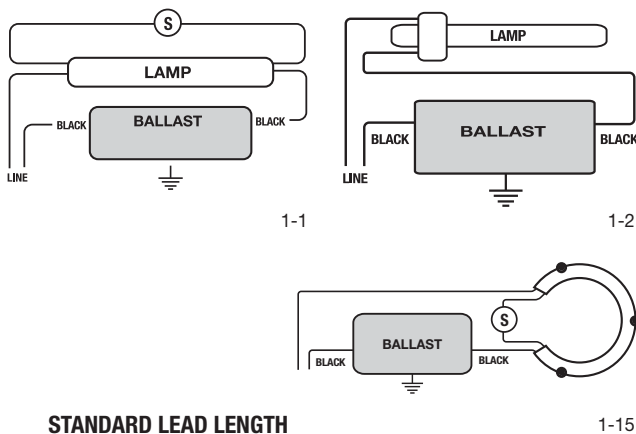
## M1CF13PH/120

### Electromagnetic Compact Fluorescent Ballast Specifications

Ballast Type: Electromagnetic Compact Fluorescent  
 Starting Method: Preheat  
 Input Voltage: 120V  
 Input Frequency: 60Hz

Lamp Type	# of Lamps	Volts	Rated Lamp Watts	Min. Start Temp (°F/°C)	Input Current (Amps)	Input Power (Watts)	Ballast Factor	THD %	Power Factor	B. E. F.	Wire Diag.
PL13D/G24d	1	120	13	50/10	0.26	16	0.73	<15	0.50	4.56	1-2
F14T8	1	120	14	50/10	0.33	16	0.80	<15	0.40	5.00	1-1
F14T12	1	120	14	50/10	0.33	16	0.80	<15	0.40	5.00	1-1
F15T8	1	120	15	50/10	0.27	16	0.71	<15	0.49	4.44	1-1
F15T12	1	120	15	50/10	0.30	16	0.85	<15	0.46	5.31	1-1
F18T8	1	120	18	50/10	0.25	16	0.71	<15	0.51	4.44	1-1
F20T8	1	120	20	50/10	0.25	16	0.65	<15	0.58	4.06	1-1
F20T12	1	120	20	50/10	0.25	16	0.65	<15	0.58	4.06	1-1
FC8T9	1	120	22	50/10	0.30	17.5	0.73	<15	0.60	4.17	1-15

#### WIRING DIAGRAMS

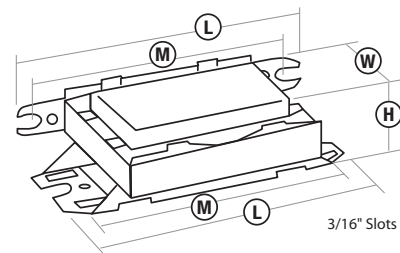


#### STANDARD LEAD LENGTH

	in.	cm.
Black	12	30.48

OCV: <300V

#### CASE DIAGRAMS



#### CASE DIMENSIONS

Overall (L)	Width (W)	Height (H)	Mounting (M)
3.07"	1.73"	1.30"	2.75"

Actual performance can vary depending on operating conditions. Specifications are subject to change without notice. All specifications are nominal unless otherwise noted.

PN# 53102

