

2x2 Volumetric Panel Light Series



ProLED® 2x2 Volumetric Panel Lights are energy efficient alternatives – only 35W delivering up to 3150 lumens – to Linear Fluorescent architectural recessed fixtures. The superior LED technology delivers consistent color and CRI for a uniform installation and improves lumen maintenance for long useful rated life. ProLED 2x2 Volumetric Panel Light offers 0-10V dimming standard with low voltage leads supplied in the integrated driver. Applications include offices, conference rooms, hallways, schools, healthcare, hospitality and retail. ProLED Volumetric Panel Light Series is backed by a 5-Year Warranty.

Performance Specifications

CRI _____	82	Min. Start Temp. _____	-40°C (-40°F)
Rated Life* _____	50,000 hour life	Max. Operating Temp. _____	40°C (104°F)
Watt _____	35W	Power Factor _____	>90%
Lumens _____	3000 (3500K), 3100 (4000K), 3150 (5000K)	THD _____	<20%
Lumens per Watt (LPW) _____	85 (3500K), 88 (4000K), 90 (5000K)	Warranty _____	5-year
Input Line Voltage _____	120-277V	Control _____	0-10V Dimmable
Input Line Frequency _____	50/60 Hz	Weight _____	9 lbs.

Energy Savings

System	Ballast Factor	System Wattage	Replacement LED	Wattage	Energy Savings
2 Lamp FB32	0.88	59	22TFR35/8XX/LED	35	28.8%

Construction

- Premium milk white lens for smooth, even light distribution
- Powder coated, stamped steel housing
- Integrated driver with multiple 3/4" knockouts for easy access
- Lightweight 9 lbs. construction
- Integrated driver with multiple 3/4" knockouts for easy access

Installation

- Fast access terminal block for easy thru-wiring
- Designed for recessed installation in suspended T-grid ceilings
- Lay in or suspended mounting
- Built-in seismic earthquake clips for additional support

Electrical

- ETL listed for wet locations
- 120V-277V input range
- 50/60 Hz input frequency
- 0 -10V dimming standard**
- Power Factor >90%
- 0.37A @ 120V / 0.16A @ 277V

** It is recommended that no more than 20 fixtures be installed per dimming circuit, and that the fixtures are located no more than 60 feet apart. This load quantity may vary based on the dimming system used.



Ordering Information

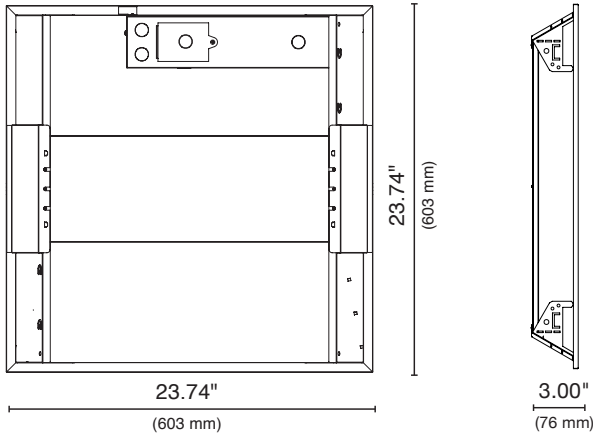
Watt	Product #	Product Code	Volts	Color Temp.	CRI	Lumen Output	Useful Life*	Beam Spread	Dimmable	DLC Qualified	Equivalent Wattage
35	80894	22TFR35/835/LED	120~277V	3500K	82	3000	50,000	120°	Yes	Yes	(2) 35W
35	80890	22TFR35/840/LED	120~277V	4000K	82	3100	50,000	120°	Yes	Yes	(2) 35W
35	80891	22TFR35/850/LED	120~277V	5000K	82	3150	50,000	120°	Yes	Yes	(2) 35W

* Useful Life is defined as the point in time at which the lamp will maintain at least 70% of its initial lumens. The lamp will continue to operate past this point at decreased light levels.

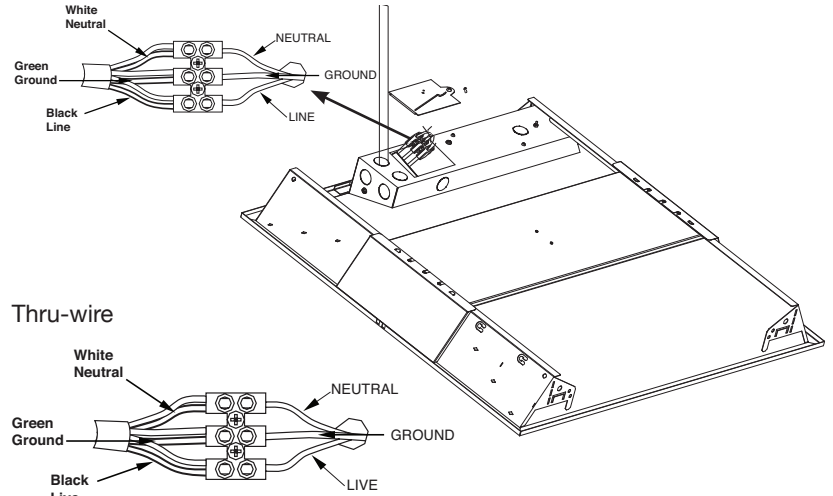
** May not be compatible with all dimming systems, dimming performance may vary by system.

*** Check the latest update at www.DesignLights.org for listed product catalog numbers. Not all versions are listed.

Dimensions

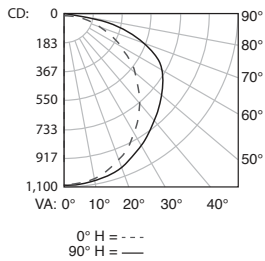


Wiring Diagram



Photometrics

80894, 22TFR35/835/LED



Coefficients of Utilization

Effective Floor Cavity Reflectance 0.20

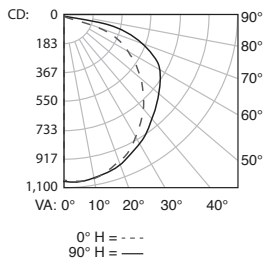
RC	80	70	50
RW	70 50 30	50 30 10	50 30 20
0	119 119 119	116 116 116	111 111 111
1	108 103 98	105 100 96	96 92 89
2	97 88 81	95 86 80	83 77 72
3	88 77 68	86 75 67	72 65 60
4	80 68 59	78 66 58	64 56 50
5	74 60 51	72 59 50	57 49 43
6	68 54 45	66 53 44	51 43 38
7	63 49 40	61 48 40	47 39 33
8	59 45 36	57 44 36	43 35 30
9	55 41 32	53 40 32	39 32 27
10	51 38 30	50 37 29	36 29 24

Zonal Lumen Summary

Zone	Lumens	% Lamp	% Fixt
0-30	839.1	24.6	24.6
0-40	1,381.4	40.5	40.6
0-60	2,516.0	73.8	73.9
60-90	881.7	25.9	25.9
70-100	401.4	11.8	11.8
90-120	3.4	0.1	0.1
0-90	3,397.7	99.7	99.8
90-180	8.1	0.2	0.2
0-180	3,405.8	99.9	100

Total Luminaire Efficiency = 100.00%

80890, 22TFR35/840/LED



Coefficients of Utilization

Effective Floor Cavity Reflectance 0.20

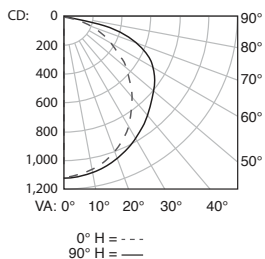
RC	80	70	50
RW	70 50 30	70 50 30	50 30 20
0	119 119 119	116 116 116	111 111 111
1	108 102 98	105 100 96	96 92 89
2	97 88 81	94 86 80	83 77 72
3	88 77 68	85 75 67	72 65 59
4	80 68 58	78 66 58	64 56 50
5	74 60 51	71 59 50	57 49 43
6	68 54 45	66 53 44	51 43 37
7	63 49 40	61 48 39	46 39 33
8	58 44 36	57 44 35	42 35 29
9	55 41 32	53 40 32	39 32 26
10	51 38 29	50 37 29	36 29 24

Zonal Lumen Summary

Zone	Lumens	% Lamp	% Fixt
0-30	838.0	24.4	24.4
0-40	1,380.6	40.2	40.2
0-60	2,521.0	73.4	73.5
60-90	902.1	26.3	26.3
70-100	417.04	12.1	12.2
90-120	3.4	0.1	0.1
0-90	3,423.1	99.7	99.8
90-180	7.4	0.2	0.2
0-180	3,430.4	99.90	100

Total Luminaire Efficiency = 100.00%

80891, 22TFR35/850/LED



Coefficients of Utilization

Effective Floor Cavity Reflectance 0.20

RC	80	70	50
RW	70 50 30	70 50 30	50 30 20
0	119 119 119	116 116 116	111 111 111
1	108 102 98	105 100 96	96 92 89
2	97 88 81	94 86 80	83 77 72
3	88 77 68	86 75 67	72 65 60
4	80 68 59	78 66 58	64 56 50
5	74 60 51	72 59 50	57 49 43
6	68 54 45	66 53 44	51 43 38
7	63 49 40	61 48 40	47 39 33
8	59 45 36	57 44 36	43 35 30
9	55 41 32	53 40 32	39 32 27
10	51 38 30	50 37 29	36 29 24

Zonal Lumen Summary

Zone	Lumens	% Lamp	% Fixt
0-30	871.6	24.6	24.6
0-40	1,485.3	40.5	40.5
0-60	2,614.2	73.7	73.8
60-90	918.5	25.9	25.9
70-100	419.4	11.8	11.8
90-120	3.9	0.1	0.1
0-90	3,532.7	99.6	99.7
90-180	9.8	0.3	0.3
0-180	3,542.5	99.90	100

Total Luminaire Efficiency = 100.00%