

6" Surface Downlights



ProLED® Surface Downlights are a long life and energy efficient replacement for traditional lamps. Our 4" and 6" platforms are easy to install and are ideal for diverse mounting requirements. They deliver a maintenance-free environment for their 36,000-hour useful rated life. With its superior LED technology and performance, the ProLED Surface Downlights deliver consistent color, uniform illumination, and a low-profile impression for your lighting design. Applications include: home, office, lobby, hospitality, conference room. ProLED Surface Downlights are backed by a 5-year limited warranty.

Performance Specifications

CRI _____	80	Min. Start Temp. _____	-30°C (-22°F)
Rated Life _____	36,000 hours	Max. Operating Temp. _____	40°C (104°F)
Watt _____	11.5W	Power Factor _____	>98%
Lumens _____	890lm	Warranty _____	5-Year Limited
Lumens per Watt (LPW) _____	80	Control _____	Dimmable to 10%
Input Line Voltage _____	120V	Weight _____	0.48 lb
Input Line Frequency _____	60 Hz		

Energy Savings

Traditional Incandescent	Replacement LED	Energy Savings
65W	11.5W	82%

Construction

- 36,000 hour life results in lower maintenance costs over time
- Lamp is UL approved for damp locations
- Rated for indoor use only
- RoHS Compliant
- Dimmable to 10%

Installation

- Mounts to standard 4" junction box with easy to install snap-fit bracket
- Mounts in 5" and 6" recessed housings with optional housing mounting springs (included)
- Pre-wired E26 socket assembly included, GU24 adapter available

Electrical

- 120V Input
- 50/60 Hz Input frequency
- Dimmable to 10%
- Power Factor >98%

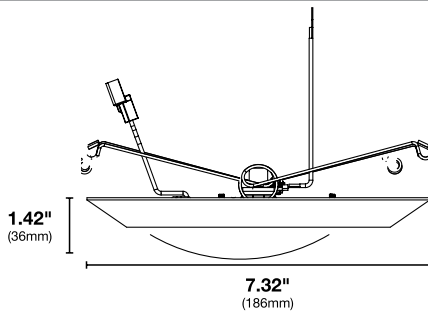
Ordering Information



Watt	Product #	Product Code	Volts	Color Temp.	CRI	Lumen Output	Useful Life*	Dimmable	Fixture Size	Equivalent Wattage
11.5	99948	SDL6FR12/827/LED	120	2700K	80	740	36,000	Yes	6"	65
11.5	99949	SDL6FR12/830/LED	120	3000K	80	780	36,000	Yes	6"	65
11.5	99950	SDL6FR12/840/LED	120	4000K	80	845	36,000	Yes	6"	65
11.5	99951	SDL6FR12/850/LED	120	5000K	80	890	36,000	Yes	6"	65

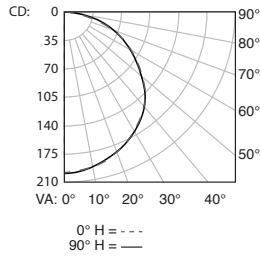
* Useful Life is defined as the point in time at which the lamp will maintain at least 70% of its initial lumens.

Dimensions



Photometrics

99948, SDL6FR12/827/LED



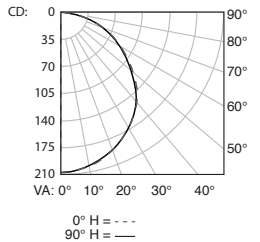
LUMENS PER ZONE

ZONE	LUMENS	% TOTAL	ZONE	LUMENS	% TOTAL
0-10	18.9	3.0%	90-100	4.3	0.7%
10-20	54.6	8.8%	100-110	0.2	0%
20-30	83.6	13.4%	110-120	0.0	0%
30-40	102.4	16.4%	120-130	0.0	0%
40-50	108.5	17.4%	130-140	0.0	0%
50-60	100.8	16.2%	140-150	0.0	0%
60-70	79.7	12.8%	150-160	0.0	0%
70-80	49.4	7.9%	160-170	0.0	0%
80-90	20.6	3.3%	170-180	0.0	0%

ZONAL LUMEN SUMMARY

ZONE	LUMENS	% LAMP	% LUMINAIRE
0-30	157.1	21.3%	25.2%
0-40	259.4	35.1%	41.6%
0-60	468.7	63.5%	75.2%
60-90	149.7	20.3%	24%
70-100	74.2	10.1%	11.9%
90-120	4.5	0.6%	0.7%
0-90	618.4	83.7%	99.3%
90-180	4.6	0.6%	0.7%
0-180	623.0	84.3%	100%

99949, SDL6FR12/830/LED



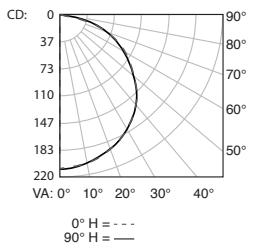
LUMENS PER ZONE

ZONE	LUMENS	% TOTAL	ZONE	LUMENS	% TOTAL
0-10	19.5	3.0%	90-100	4.4	0.7%
10-20	56.2	8.8%	100-110	0.2	0%
20-30	86.1	13.4%	110-120	0.0	0%
30-40	105.4	16.4%	120-130	0.0	0%
40-50	111.7	17.4%	130-140	0.0	0%
50-60	103.8	16.2%	140-150	0.0	0%
60-70	82.1	12.8%	150-160	0.0	0%
70-80	50.9	7.9%	160-170	0.0	0%
80-90	21.2	3.3%	170-180	0.0	0%

ZONAL LUMEN SUMMARY

ZONE	LUMENS	% LAMP	% LUMINAIRE
0-30	161.8	20.6%	25.2%
0-40	267.2	34%	41.6%
0-60	482.8	61.5%	75.2%
60-90	154.2	19.6%	24%
70-100	76.5	9.7%	11.9%
90-120	4.6	0.6%	0.7%
0-90	636.9	81.1%	99.3%
90-180	4.7	0.6%	0.7%
0-180	641.6	81.7%	100%

99950, SDL6FR12/840/LED



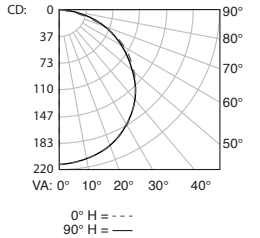
LUMENS PER ZONE

ZONE	LUMENS	% TOTAL	ZONE	LUMENS	% TOTAL
0-10	19.9	3.0%	90-100	4.5	0.7%
10-20	57.3	8.8%	100-110	0.2	0%
20-30	87.7	13.4%	110-120	0.0	0%
30-40	107.5	16.4%	120-130	0.0	0%
40-50	113.9	17.4%	130-140	0.0	0%
50-60	105.8	16.2%	140-150	0.0	0%
60-70	83.7	12.8%	150-160	0.0	0%
70-80	51.9	7.9%	160-170	0.0	0%
80-90	21.6	3.3%	170-180	0.0	0%

ZONAL LUMEN SUMMARY

ZONE	LUMENS	% LAMP	% LUMINAIRE
0-30	164.9	19.3%	25.2%
0-40	272.4	31.9%	41.6%
0-60	492.1	57.7%	75.2%
60-90	157.2	18.4%	24%
70-100	77.9	9.1%	11.9%
90-120	4.7	0.6%	0.7%
0-90	649.3	76.2%	99.3%
90-180	4.8	0.6%	0.7%
0-180	654.1	76.7%	100%

99951, SDL6FR12/850/LED



LUMENS PER ZONE

ZONE	LUMENS	% TOTAL	ZONE	LUMENS	% TOTAL
0-10	20.3	3.0%	90-100	4.6	0.7%
10-20	58.4	8.8%	100-110	0.2	0%
20-30	89.4	13.4%	110-120	0.0	0%
30-40	109.5	16.4%	120-130	0.0	0%
40-50	116.1	17.4%	130-140	0.0	0%
50-60	107.9	16.2%	140-150	0.0	0%
60-70	85.3	12.8%	150-160	0.0	0%
70-80	52.9	7.9%	160-170	0.0	0%
80-90	22.0	3.3%	170-180	0.0	0%

ZONAL LUMEN SUMMARY

ZONE	LUMENS	% LAMP	% LUMINAIRE
0-30	168.1	18.6%	25.2%
0-40	277.6	30.7%	41.6%
0-60	501.5	55.5%	75.2%
60-90	160.2	17.7%	24%
70-100	79.4	8.8%	11.9%
90-120	4.8	0.5%	0.7%
0-90	661.7	73.2%	99.3%
90-180	4.9	0.5%	0.7%
0-180	666.6	73.7%	100%