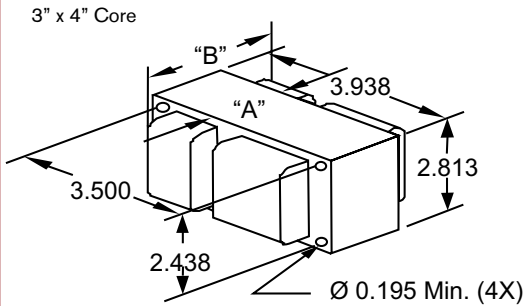
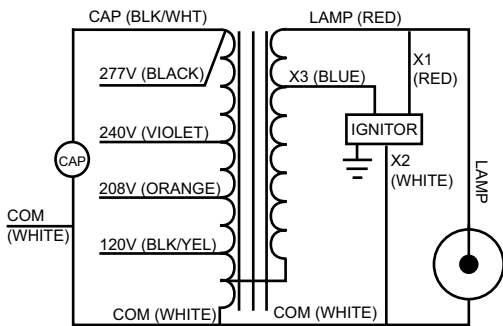


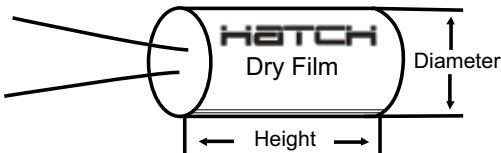
PHYSICAL DIMENSIONS



WIRING DIAGRAM



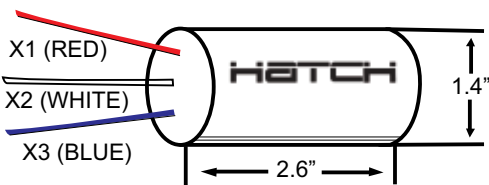
CAPACITOR



Diameter: 1.38"

Height: 3.17"

IGNITOR



Pulse Height (kV): 2.5 ~ 4.0

Pulse Width ($\geq \mu\text{s}$): 1.0 @ 2.3kV



2 YEAR WARRANTY FROM DATE OF MANUFACTURE

MAGNETIC HID BALLAST

Ballast Type	High Pressure Sodium	Circuit Type	HX-HPF
Lamp	100W S54	Frequency	60Hz

ELECTRICAL SPECIFICATIONS

Input Voltage (V)	Quad Tap				
	120	208	240	277	
Line Current (A)	Operating	1.1	0.7	0.6	0.5
	Open Circuit	2.2	1.3	1.1	1.0
	Starting	0.8	0.5	0.4	0.4
Recommended Fuse	4	3	2	2	
Input Voltage At Lamp Dropout	85	140	160	185	
UL Class H 180°C Temp. Code	B	B	B	B	
UL Class N 200°C Temp. Code	A	A	A	A	
Nom. Open Circuit Voltage	118				
Input Power (W)	130				
Power Factor (\geq %)	90				
Regulation (\pm %)	Line Volts	5			
	Lamp Watts	10			
Min. Starting Temp	-40°F / -40°C				
Ballast Dimensions (inches)	A	1.97			
	B	3.35			
Ballast Net Weight (lbs)	6.0				
Lead Length (inches)	12				
Capacitor	Capacitance (μF)	10			
	Min VAC Rating (V)	280			
Requires Ignitor Model	GHPSR1				
Coil Material (Pri/ Sec.)	Cu / Al				

60 HZ. TEST PROCEDURES

Short Circuit Current (A)	Secondary	Min	2.1			
		Max	3.2			
	Input	Min	0.3	0.2	0.2	0.2
		Max	1.0	0.6	0.5	0.5
Open Circuit Voltage (V)	Min	110				
	Max	130				
High Potential Test (V)	1 Minute	1600				
	1 Second	1900				

REFERENCE LAMP DATA

	Test Range	ANSI Standard
Starting Current (A)		2.1 ~ 3.2
CCF	1.7	≤ 1.8
OCV (V)	110 ~ 130	
Lamp Watts	WITHIN TRAPEZOID	

OPTIONAL FEATURES

(ADD SUFFIX FOR OPTIONS)

-WB	With welded bracket
-I	With ignitor
-DC	With dry film capacitor
-OC	With oil filled capacitor
-K	With distributor replacement kit (includes bracket, capacitor and ignitor as necessary)