

## ELECTRONIC SPECIFICATIONS



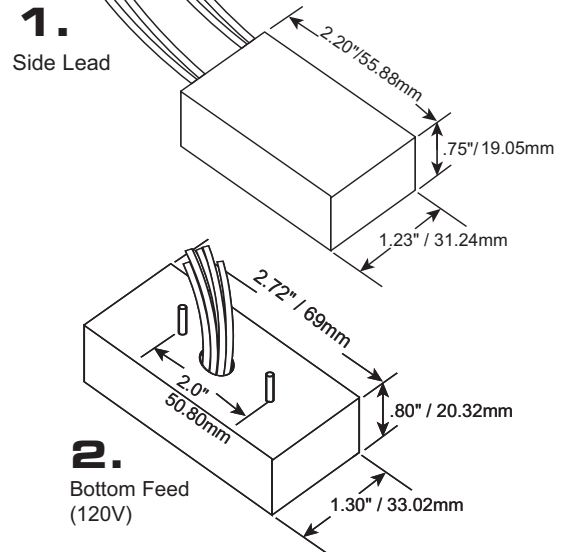
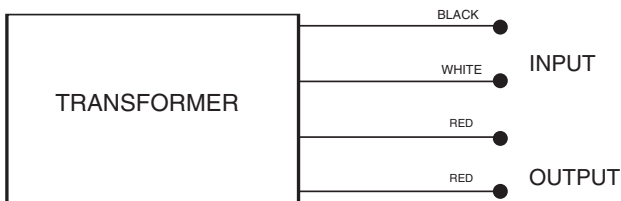
Input Voltage	120Vac, 230Vac, 277Vac
Input Frequency	50/60Hz
Output Power	15W, 30W & 60W MODELS
Input Current	.2A
Nominal Output Voltage	12Vac
Power Factor	0.90
Ambient Temp.	-20°-+50°C
Case Temp. (Tc)	+90°C
Class 2	Yes (isolated secondary)
Dimming	Yes (Line Voltage)

**No Minimum Load - Full Range Dimming\***

## WIRING DIAGRAM

## DIMENSIONS

**DIAGRAM A**



### Mechanical Specifications

Hard Wires	:	Input Leads : AWG#18 stranded, 6", black and white
		Output Leads : AWG#18 stranded, 6", red
Case Material	:	Aluminum
RoHS Compliant	:	Yes
UL1310 Compliant	:	Yes
Indoor Use	:	Low Humidity / No Condensation
In-Rush Current	:	NSI/IEEE C62.41, Class A Operation Compliant

\* Works with approved dimmers.  
Contact Hatch for approved list.

Regulatory



**Electronic Short-Circuit Protection**

All Hatch low-voltage transformers employ our (ESP) Electronic Short Circuit and over load Protection. The ESP sensing circuit will instantly shut down the output before any of the components are stressed if a short circuit or over load is detected. The transformer will automatically reset as soon as the fault is corrected.

**Works best with approved dimmers for optimum performance.**  
**Full range dimming available only on 120V models. Please contact HATCH for a complete list.**

Max Watts	Input Volts	Input Amps	Nominal Output Volts	Output Amps	Case Style	Wiring Dia.	Hatch Item No.
15	120	.13	11.5	1.3	1	A	RS12-15M-LED
			23.5	.64			RS24-15M-LED
	230	.07	11.5	1.3	1	A	RS12-15M-230-LED
			23.5	.64			RS24-15M-230-LED
	277	.05	11.5	1.3	1	A	RS12-15M-277-LED
			23.5	.64			RS24-15M-277-LED
30	120	.25	11.5	2.6	1	A	RS12-30M-LED
			23.5	1.3			RS24-30M-LED
	230	.13	11.5	2.6	1	A	RS12-30M-230-LED
			23.5	1.3			RS24-30M-230-LED
	277	.11	11.5	2.6	1	A	RS12-30M-277-LED
			23.5	1.3			RS24-30M-277-LED
60	120	.50	11.5	5.2	1	A	RS12-60M-LED
			23.5	2.6			RS24-60M-LED
	230	.26	11.5	5.2	1	A	RS12-60M-230-LED
			23.5	2.6			RS24-60M-230-LED
	277	.22	11.5	5.2	1	A	RS12-60M-277-LED
			23.5	2.6			RS24-60M-277-LED
60	120	.50	11.5	5.2	2	A	RS12-60BF-LED
	230	.26	11.5	5.2	2	A	RS12-60BF-230-LED
	277	.22	11.5	5.2	2	A	RS12-60BF-277-LED

NOTE: Hatch RS Series A/C LED Drivers can operate 12V Halogen Lamps.