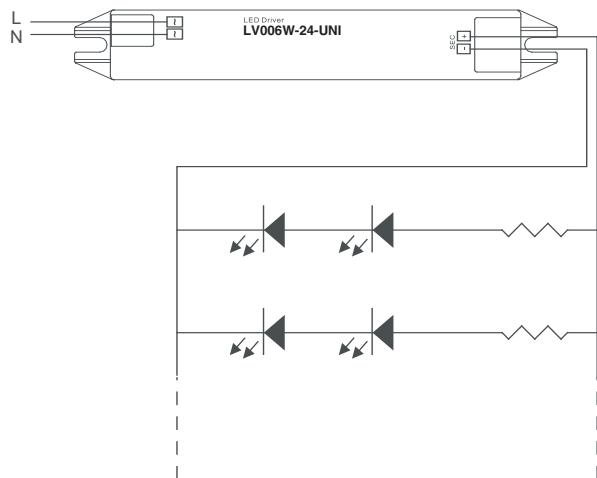


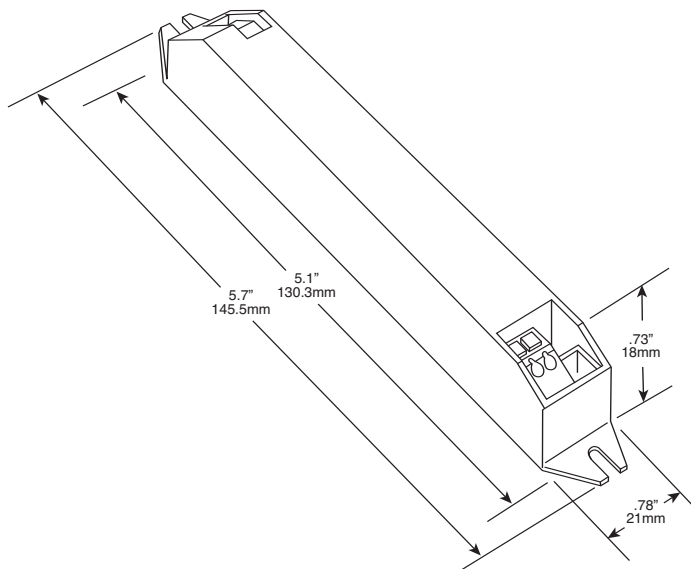
### ELECTRONIC SPECIFICATIONS

Input Voltage Range . . . . .	90-264VAC
Input Frequency . . . . .	50/60Hz
Output Power . . . . .	6W
Input Current . . . . .	65mA@230VAC
Output Voltage . . . . .	24VDC
Output Current . . . . .	250mA
Power Factor . . . . .	0.55
Ambient Temp. . . . .	-20°+50°C
Case Temp. (Tc) . . . . .	+90°C
SELV Equivalent . . . . .	Yes

### WIRING DIAGRAM



### DIMENSIONS



### LED TYPE

Regular LED 0.04-0.1W

Terminal Block	:	Push Button, Angled Entry
Case Material	:	Polycarbonate
RoHS Compliant	:	Yes
UL1310 Compliant	:	Yes
Indoor	:	Low Humidity / No Condensation

Regulatory Approvals

