

hatch LED DRIVERS

LV020W-24-F-UNI

CONSTANT VOLTAGE

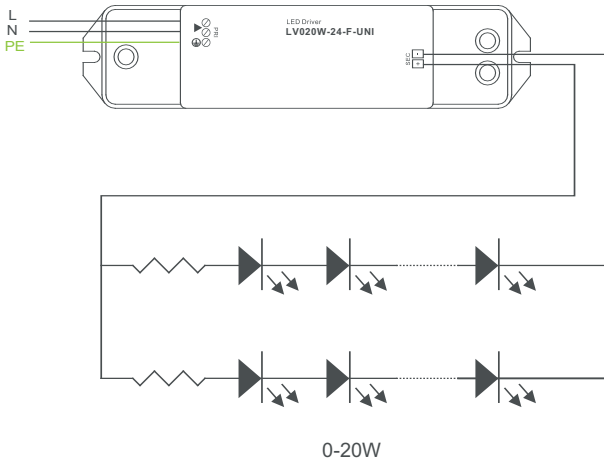
20WATT 24V

ELECTRONIC SPECIFICATIONS

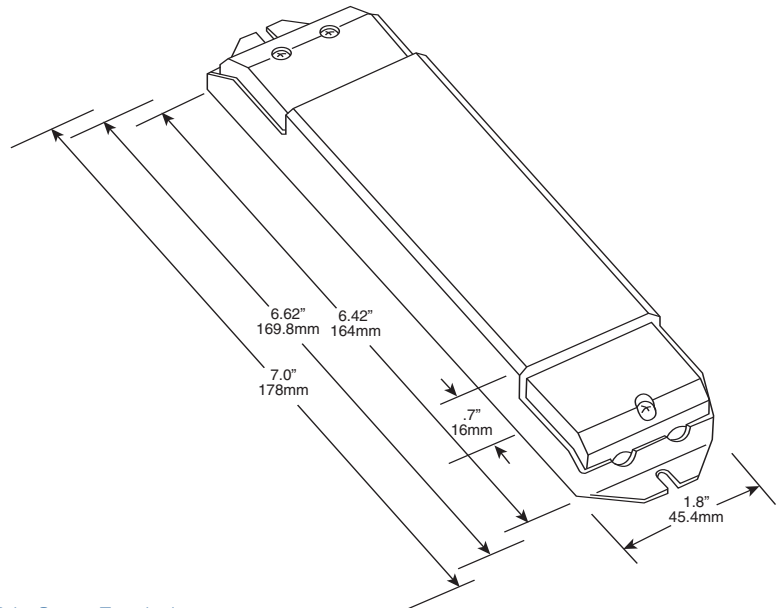


Input Voltage Range 90-264VAC
 Input Frequency 50/60Hz
 Output Power 20W
 Input Current 230mA@230VAC
 Output Voltage 24VDC
 Output Current 833mA
 Ambient Temp. -20°-+50°C
 Case Temp. (Tc) +90°C
 Class 2 Yes

WIRING DIAGRAM



DIMENSIONS



LED TYPE

Regular LED 0.04-0.1W

Terminals : Pri : Screw Terminal
 : Sec : Quick Connector or Screw Type
 Case Material : Polycarbonate
 RoHS Compliant : Yes
 UL1310 Compliant : Yes
 Indoor : Low Humidity / No Condensation

Regulatory Approvals



7821 Woodland Center Boulevard
 Tampa, FL 33614
 Ph: 813-288-8006 • Fax: 813-288-8105

07/09