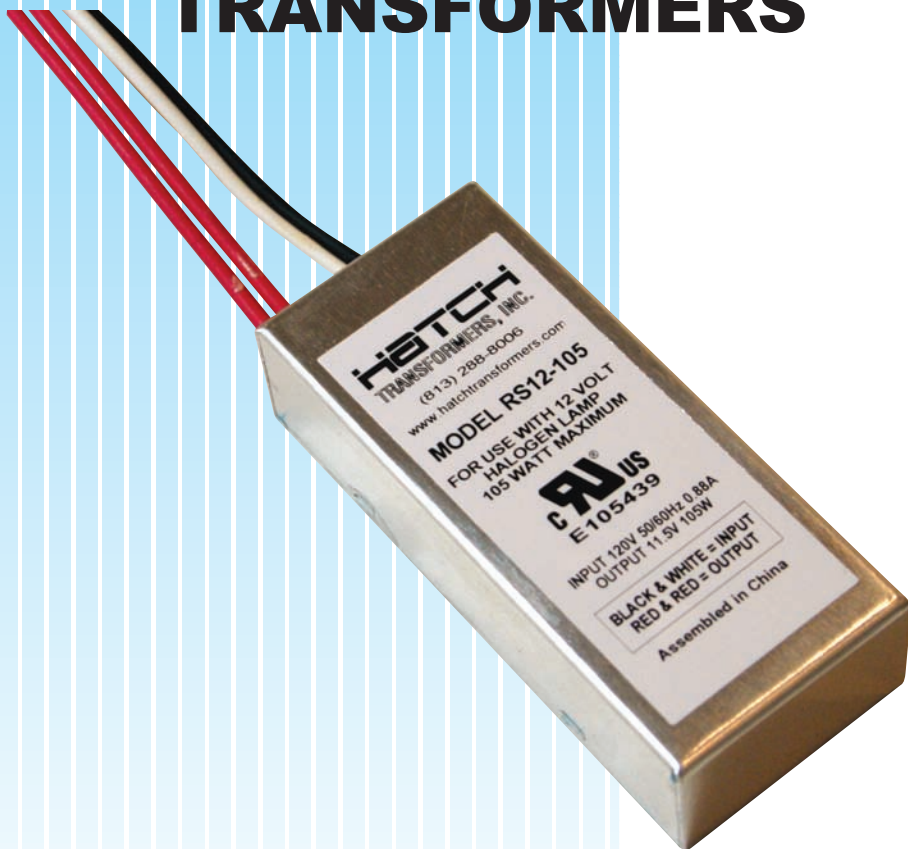


Electronic Transformers

105 WATT "RS" SERIES ELECTRONIC TRANSFORMERS




RS12-105

105 Watt RS Series


Electronic Low Voltage Transformer Product Features:

- High Reliability
- Moisture Resistant
- Emits No Audible Noise
- Low Harmonic Distortion
- High Power Factor
- Lightweight, Compact Design
- Small Case Size
- Works with most commercially available dimmers. Hardwire electronic dimmers are recommended for optimum performance. (See notes on back page.)

Environmental Specifications

| | |
|-------------------------------------|--|
| Maximum Case Temperature | 80°C |
| Minimum Starting Temperature | -30°C |
| Sound Rating | A+ |
| Operating Humidity | 95% relative humidity, non-condensing |
| Environmental Protection | Epoxy Sealed for moisture resistance and shock/vibration resistance |
| Safety Listing |  Class P Type 1 outdoor |

Electrical/Mechanical Specifications

| | |
|--|---|
| Input | 120VAC or 277VAC - 50/60 Hz |
| Output | 11.5 VAC |
| Enclosure Material | Aluminum |
| Weight | 4 oz. |
| Power Factor | > 0.95 |
| Operating Frequency | 25 KHz |
| Total Harmonic Distortion | ≤ 20% |
| Safety Standard |  |
| Input Leads | .6", 18AWG stranded, 105 degree C stripped 3/8" tinned |
| Output Leads | .6", 18AWG stranded, 105 degree C stripped 3/8" tinned |

Electrical/Mechanical Specifications

Soft Start Circuitry

All models of Hatch low-voltage transformers utilize a soft start circuitry to maximize lamp life. The soft start circuit ramps up the lamp filament voltage slowly when the lamp is cold.

NOTE: Instant Start on Hot Lamp Re-Strike

Electronic Short-Circuit Protection

All Hatch low-voltage transformers employ our (ESP) Electronic Short Circuit and over load Protection. The ESP sensing circuit will instantly shut down the output before any of the components are stressed if a short circuit or over load is detected. The transformer will automatically reset as soon as the fault is corrected.

NOTE: High temperature 3M double sided tape available for use with side lead models only for mounting transformer to enclosure.



Hatch Transformers, Inc.

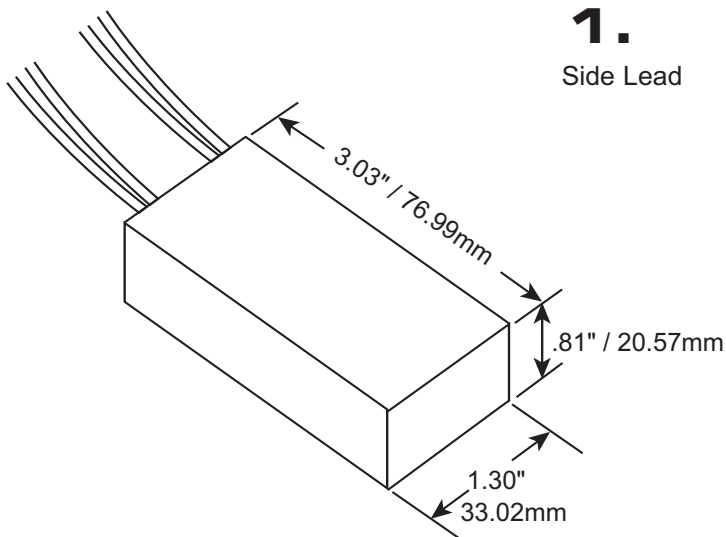
5403 West Gray Street, Tampa Florida 33609 • Ph: 813-288-8006 • Fax: 813-288-8105 • www.hatchtransformers.com

Electronic Transformer

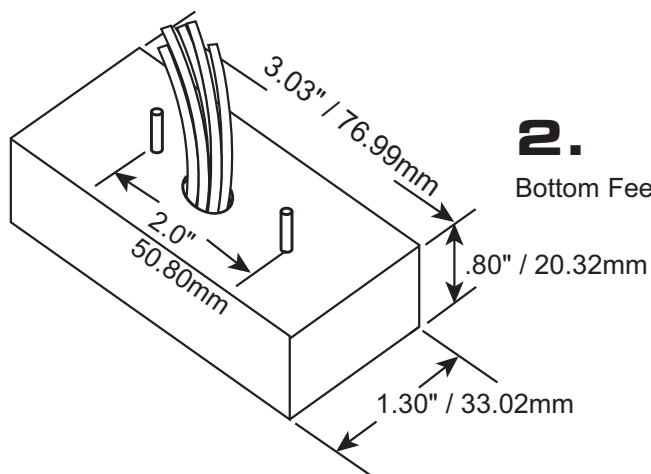
105 Watt RS Series

DIMENSIONS

1.
Side Lead

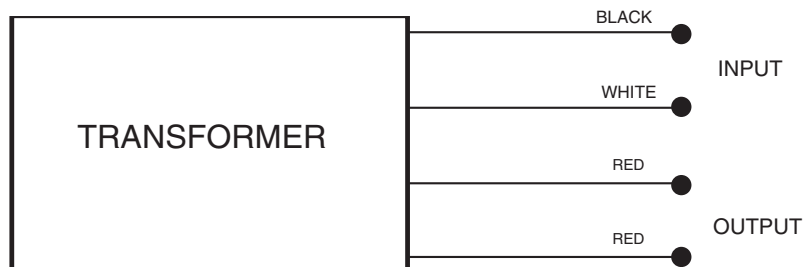


2.
Bottom Feed



WIRING DIAGRAMS

DIAGRAM A



HARDWARE ELECTRONIC

| Max Watts | Min Watts | Input Volts | Output Volts | Input Amps | Output Amps | Case Style | Wiring Dia. | Hatch Item No. | Safety Listing |
|-----------|-----------|-------------|--------------|------------|-------------|------------|----------------|----------------|--------------------|
| 105 | 5 | 120 | 11.5 | 0.88 | 9.13 | 1 | A | RS12-105 | UL/C-UL Recognized |
| | | | | 0.38 | | 2 | A | RS12-105BF | |
| | | 277 | | 1 | | A | RS12-105-277 | | |
| | | | | 2 | | A | RS12-105-277BF | | |

*Note: Must use a minimum of 10 watts when using dimmers. It is also important to confirm dimming controls compatibility with the manufacturer and your Hatch representative.

Specifications subject to change without notice. 11/08



Hatch Transformers, Inc.

5403 West Gray Street, Tampa Florida 33609 • Ph: 813-288-8006 • Fax: 813-288-8105 • www.hatchtransformers.com