

PROJECT NAME:	
CATALOG NUMBER:	FIXTURE TYPE:
VOLTS/WATTS:	LAMPS/BOARD:



SMALL FLOOD - 20W LED

OUTDOOR LIGHTING

REPLACES 70W MH

FEATURES

- Die Cast Aluminum Housing
- Hinged Front Frame for Easy Tool-less Access
- Textured Architectural Bronze Powdercoat Finish
- Dimple Textured Diffusive Tempered Glass Lens
- Watertight Cord Grip Installed
- Standard Yoke Included
- Box Mounting Options Also Available
(3' Cord and Watertight Bushing Included)
- 4000K (Std)
- Rated for Outdoor Use
- 5 Year Warranty
- DesignLights Consortium® Qualified ⁽²⁾



LED SYSTEM

Calculated L70 (TM-21)	73,000 hours
Delivered Lumens	1,475 lm
Total Input Watts	18.9 W
Luminaire Efficacy Rating (LER)	78.2 lm/W
Correlated Color Temperature (CCT)	4000 K
Color Rendering Index (CRI)	> 80
Max Ambient Temp	110° F
Universal Driver	120-277 V

LED System data above based on FMS-20WLED-UNIV-4000K

⁽¹⁾ LED Lumen Maintenance Estimates based on TM-21 projections for the light source at 25° C ambient

⁽²⁾ Specific Configurations Listed on DLC.

SUITABLE APPLICATIONS

- Parking lots
- Buildings
- General area lighting



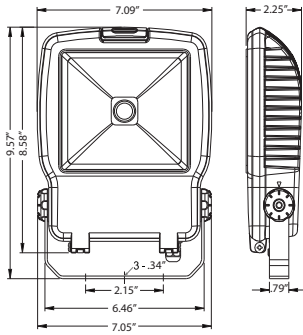
complies with
RoHS

ORDERING GUIDE:

Part Number	Full Description	Options
<input type="checkbox"/> FMS-20WLED-UNIV-4000K	Small Flood with Yoke - 20W, 120V-277V, 4000K Color Temp	<input type="checkbox"/> BMA Box Mount Adapter (3' cord & bushing incl.) <input type="checkbox"/> CORDx Cord (x = ft)

SMALL FLOOD - 20W LED

OUTDOOR LIGHTING



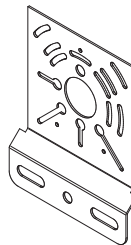
FMS-20WLED

MOUNTING OPTIONS

- Standard Yoke Included
(EPA Rating: 0.50ft²)

Also Available:

- Box Mount Adapter (BMA)
- Includes 3 ft cord and watertight bushing
(EPA Rating: 0.51ft²)



BMA

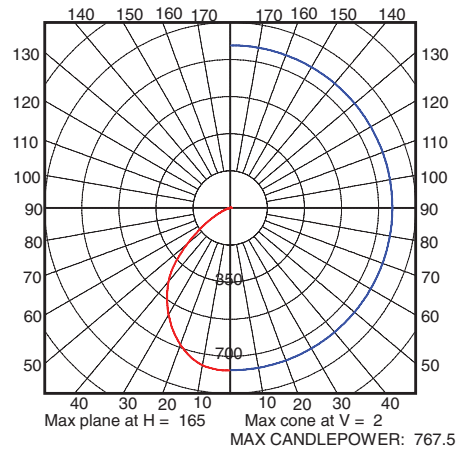
FMS-20WLED-UNIV-4000K

LUMINAIRE OUTPUT = 1475 LM
120.0V 0.1579A 18.87W PF= 0.996

SUMMARY DATA

HEMISPHERES TESTED:	LOWER
EFFICIENCY (Total):	100.0 %
EFFICIENCY (Street / House):	50.3 % / 49.7 %
ROADWAY CLASSIFICATION:	TYPE VS
CUTOFF CLASSIFICATION:	CUTOFF
LUMENS/LAMP:	1445.316
NO. OF LAMPS:	1
LUMINOUS OPENING: RECTANGULAR	
Width:	0.43 (Feet)
Length:	0.38
Height:	0.00
INPUT WATTS:	18.5

PLANE AND CONE DIAGRAM



Photometric values based upon tests performed in compliance with LM-79. IES files can be downloaded at www.ilp-inc.com

Industrial Lighting Products

LED
lighting facts[®]
A Program of the U.S. DOE

Light Output (Lumens)	1475
Watts	18.85
Lumens per Watt (Efficacy)	78
Color Accuracy	
Color Rendering Index (CRI)	81
Light Color	
Correlated Color Temperature (CCT)	3976 (Bright White)
2700K	3000K
4500K	6500K

All results are according to IESNA LM-79-2008: *Approved Method for the Electrical and Photometric Testing of Solid-State Lighting*. The U.S. Department of Energy (DOE) verifies product test data and results.

Visit www.lightingfacts.com for the **Label Reference Guide**.

Registration Number: -N1DSYU (12/18/2013)
Model Number: FMS-20WLED-UNIV-4000K
Type: Luminaire - Directional