

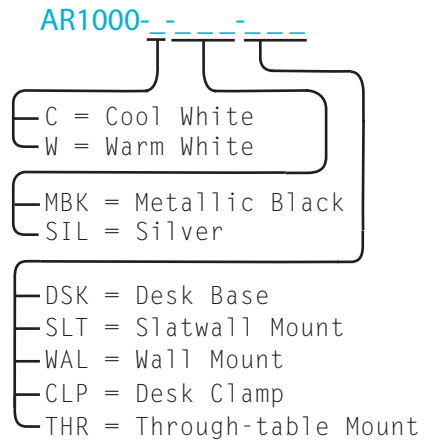
# Z-Bar® Solo

## LED Desk Lamp

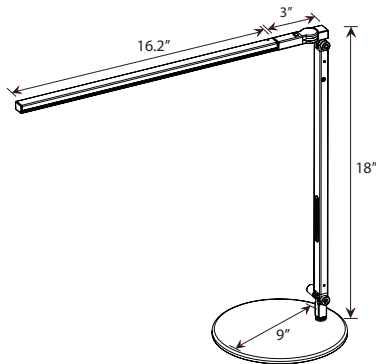
### Specifications

Transformer (100–240 V; 50/60 Hz):	Included – C-UL-US Certified
Energy Consumption:	8.5 watts
Number of LEDs:	35 LEDs
LED Rated Lifespan:	50,000 hours
Color Temperature (Typical) – Cool:	4,500 K
Color Temperature (Typical) – Warm:	3,500 K
Color Rendering Index (CRI):	85
Dimmer:	Built-in touchstrip
Brightness Adjustability:	Continuous
Color Finish:	Metallic Black, Silver
Material:	Aluminum/Plastic
Cord Color:	Black
Cord Length:	9'

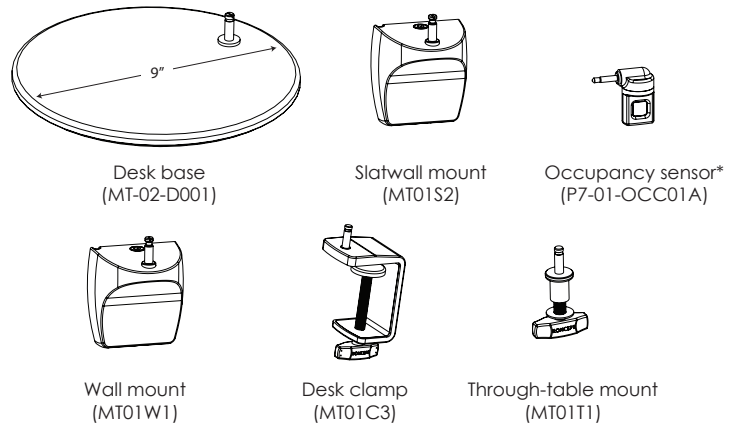
### Model number



### Dimensions



### Mounting options / Accessories (\*optional)



### LEED credit eligibility

#### Energy & Atmosphere (EA)

##### Credit 1.1: Optimize Energy Performance

LED lighting to reduce energy consumption.  
(Potential points: 3)

#### Innovation In Design (ID)

##### Credit 1.1- 1.4: Innovation in Design

Z-Bar® Solo uses a single arm for a more compact design with an LED head able to fold flat against the body. The lamp also features a built-in touchstrip for flicker-free touch sensitive dimming.  
(Potential points: 4)

#### Materials & Resources (MR)

##### Credit 4.1: Recycled Content - 10%

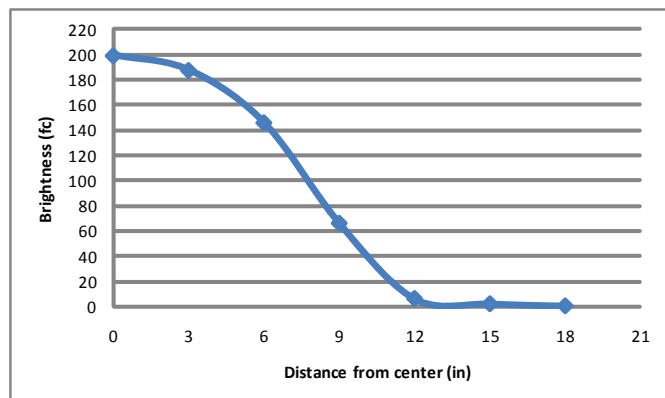
Lamps contain parts made out of 10% pre-consumer recycled content.  
(Potential points: 1)

##### Credit 4.2: Recycled Content - 20%

Lamps contain parts made out of 20% pre-consumer recycled content.  
(Potential points: 2)

### Photometrics

Light source placed at 15" away from worksurface



### Environmental considerations

Lamp contains 62% preconsumer recycled material by weight\*  
Aluminum housing is fully recyclable  
All color finishes use water-based paint  
All cardboard used in packaging is FSC certified  
LEDs do not contain mercury

\*in standard configuration (includes transformer and weighted base)

## KONCEPT

Koncept Technologies Inc. | www.koncept.com | t: 323.261.8999 | f: 323.261.8998

© 2011 Koncept Technologies Inc. v201107.001