

Specifications

Transformer (100–240 V; 50/60 Hz):	Included – C-UL-US Certified
Energy Consumption:	10.5 watts
Number of LEDs:	42 LEDs
LED Rated Lifespan:	50,000 hours
Color Temperature (Typical) – Cool:	4,500 K
Color Temperature (Typical) – Warm:	3,500 K
Color Rendering Index (CRI):	85
Dimmer:	Built-in touchstrip
Brightness Adjustability:	Continuous
Color Finish:	Metallic Black, Silver, White
Material:	Aluminum/Plastic
Cord Color:	Black
Cord Length:	9'

Model number

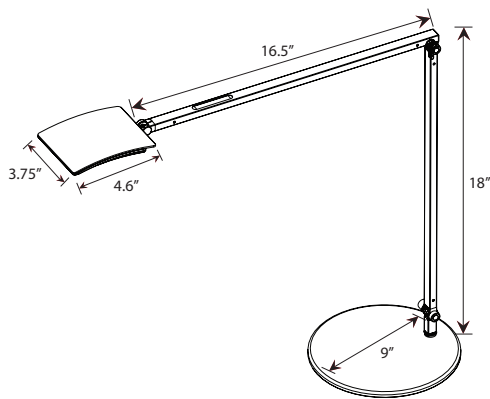
AR2000- - - - -

C = Cool White
W = Warm White

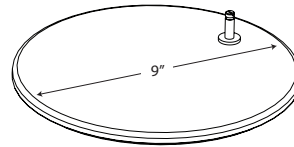
MBK = Metallic Black
SIL = Silver
WHT = White

DSK = Desk Base
SLT = Slatwall Mount
WAL = Wall Mount
CLP = Desk Clamp
THR = Through-table Mount

Dimensions



Mounting options / Accessories (*optional)



Desk base (MT-02-D001)



Slatwall mount (MT01S2)



Occupancy sensor* (P7-01-OCC01A)



Wall mount (MT01W1)



Desk clamp (MT01C3)



Through-table mount (MT01T1)

LEED credit eligibility

Energy & Atmosphere (EA)

Credit 1.1: Optimize Energy Performance

LED lighting to reduce energy consumption.
(Potential points: 3)

Innovation In Design (ID)

Credit 1.1- 1.4: Innovation in Design

Mosso™ features an LED head that swivels up and down and twirls a full 360 degrees. The lamp also features a built-in touchstrip for flicker-free touch sensitive dimming.
(Potential points: 4)

Materials & Resources (MR)

Credit 4.1: Recycled Content - 10%

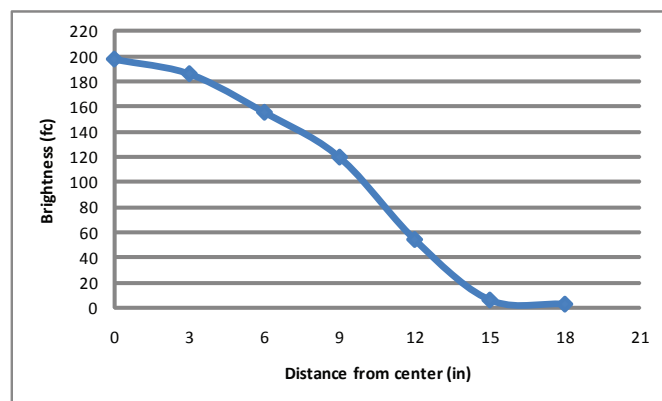
Lamps contain parts made out of 10% pre-consumer recycled content.
(Potential points: 1)

Credit 4.2: Recycled Content - 20%

Lamps contain parts made out of 20% pre-consumer recycled content.
(Potential points: 2)

Photometrics

Light source placed at 15" away from worksurface



Environmental considerations

Lamp contains 57% preconsumer recycled material by weight*

Aluminum housing is fully recyclable

All color finishes use water-based paint

All cardboard used in packaging is FSC certified

LEDs do not contain mercury

*in standard configuration (includes transformer and weighted base)

KONCEPT

Koncept Technologies Inc. | www.koncept.com | t: 323.261.8999 | f: 323.261.8998

© 2011 Koncept Technologies Inc. v201107.001