

**B**  
**SERIES**  
**ROUNDED**  
**CORNER**  
**DECORATIVE**  
**LUMINAIRE**

Job Name	
Catalog Number	
Notes	Type



***application***

- An attractive rounded corner task light, excellent for bathrooms, dressing rooms or appliances
- Available in two complimenting designs to accommodate almost every application
- Able to be surface mounted, horizontally or vertically, individually or in continuous rows for a contemporary linear look
- Available in 1 and 2 lamp units 18 to 48 inches in length with numerous lamp/ballast combinations

***finish***

- Prior to painting, all metal parts are treated with a multi-stage phosphate bonding process to ensure adhesion and inhibit rusting
- Painted with a lighting grade baked white enamel, having a reflectance factor exceeding 87% for premium quality and durability

***construction***

- The B series is a decorative and versatile surface mounted luminaire specifically designed for long-term installations
- Features durable steel bodies, quality paint finishes and superior electrical components
- Die formed from cold rolled steel for strength and uniformity
- Ends are die formed for added strength and fastened securely to the housing by 2 standard acorn nuts, allowing for easy cleaning and servicing
- The ends retaining the diffuser with positive engagement reduce vibration hazards
- Wireway covers are die formed for durability and attach easily and securely with two screws; tamper proofing is available
- Ample knockouts are provided on back for convenient installation
- Available in standard Chrome or optional White
- All fixtures are U.L. listed and IBEW union made

***electrical***

- All electrical components are U.L. listed
- Ballasts are class P, thermally protected
- 120V normal power factor is standard on all units 3ft. and smaller
- 120V high power factor, energy saving ballasts comply with Federal Energy Efficiency Standards and are standard on all 4 ft. units
- Numerous options are available: T8 electronic, dimming, switching; see ordering information on back

***diffuser***

- One-piece extruded white, light stabilized acrylic is standard
- Features a linear refractive pattern for even illumination
- Grooved formation on the edges allow for a tight, no light leak attachment to the body

**ordering guide**

NOTE: SOME ORDERING OPTIONS APPEAR ON PRODUCT LINE. FOR OTHER OPTIONS, SEE LIST AT RIGHT.

SAMPLE ORDER NUMBER



SERIES COLOR NO. LAMPS WATTAGE TANDEM BALLAST TYPE VOLTAGE OPTIONS DIMENSIONS LAMP TYPE

T-12 ORDERING GUIDE									
B	W, C	1	15		M2, MP	1, 7		4 1/4" x 18"	F15T12
B	W, C	1	20		M2, MP	1, 7		4 1/4" x 24"	F20T12
B	W, C	1	30		R2, M2	1, 7		4 1/4" x 36"	F30T12
B	W, C	1	40		R2, M2	1, 7		4 1/4" x 48"	F40T12
B	W, C	1	30	T	M2	1, 7	2B	4 1/4" x 72 1/2"	F30T12
B	W, C	1	40	T	M2	1, 7	2B	4 1/4" x 96 1/2"	F40T12
B	W, C	1, 2	15		M2, MP	1, 7		5 1/4" x 18"	F15T12
B	W, C	1, 2	20		M2, MP	1, 7		5 1/4" x 24"	F20T12
B	W, C	1, 2	30		R2, M2	1, 7		5 1/4" x 36"	F30T12
B	W, C	1, 2	40		R2, M2	1, 7		5 1/4" x 48"	F40T12
B	W, C	1, 2	30	T	M2	1, 7	2B	5 1/4" x 72 1/2"	F30T12
B	W, C	1, 2	40	T	M2	1, 7	2B	5 1/4" x 96 1/2"	F40T12

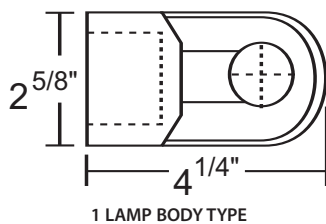
T-8 ORDERING GUIDE									
B	W, C	1	15		E8, P8	1, 7		4 1/4" x 18"	F15T8
B	W, C	1	17		E8	1, 7		4 1/4" x 24"	F17T8
B	W, C	1	25		E8	1, 7		4 1/4" x 36"	F25T8
B	W, C	1	32		E8	1, 7		4 1/4" x 48"	F32T8
B	W, C	1	25	T	E8	1, 7	2B	4 1/4" x 72 1/2"	F25T8
B	W, C	1	32	T	E8	1, 7	2B	4 1/4" x 96 1/2"	F32T8
B	W, C	1, 2	15		E8, P8	1, 7		5 1/4" x 18"	F15T8
B	W, C	1, 2	17		E8	1, 7		5 1/4" x 24"	F17T8
B	W, C	1, 2	25		E8	1, 7		5 1/4" x 36"	F25T8
B	W, C	1, 2	32		E8	1, 7		5 1/4" x 48"	F32T8
B	W, C	1, 2	25	T	E8	1, 7	2B	5 1/4" x 72 1/2"	F25T8
B	W, C	1, 2	32	T	E8	1, 7	2B	5 1/4" x 96 1/2"	F32T8

Note: Tandem units contain double the amount of lamps shown

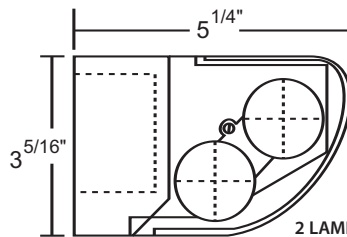
**dimensional data**

NOTE: SPECIFICATIONS AND DIMENSIONAL DATA ARE SUBJECT TO CHANGE WITHOUT NOTICE.

**cross sections**



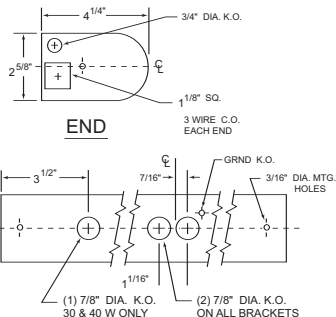
1 LAMP BODY TYPE



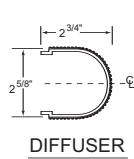
2 LAMP BODY TYPE

NOTE:  
 Two-lamp body type is available with single lamp.  
 Consult factory for details.

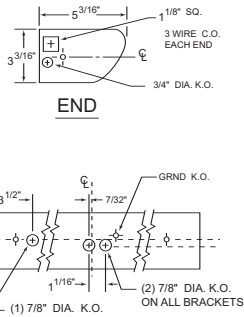
**back knockout plans and lengths**



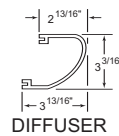
BACK



DIFFUSER



BACK



DIFFUSER

SIZE	LENGTH
14 W	15 - 1/4"
15 W	18 - 1/4"
20 W	24 - 1/4"
30 W	36 - 1/4"
40 W	48 - 1/4"

SIZE	LENGTH
14 W	15 - 1/4"
15 W	18 - 1/4"
20 W	24 - 1/4"
30 W	36 - 1/4"
40 W	48 - 1/4"

**options**

OPTIONS: INSERT APPROPRIATE CODE FOR CUSTOMIZED ORDERING

**BALLAST**

- M2 Magnetic T12
- MP Magnetic HPF
- R2 Residential T12
- E8 Electronic T8
- EDX Electronic dimming Advance MX
- P8 Pre-heat T8

NOTE: In order to achieve rated lamp life, fixtures controlled by motion sensors should be ordered with programmed start ballasts when available and minimum time delay should be set to 15 minutes - Consult Factory

**VOLTAGE**

- 1 120V
- 7 277V
- U Universal 120 - 277V

**COLOR**

- C Chrome
- W White

**GENERAL OPTIONS**

- EM Emergency pack, 1 lamp 90 min. up to 500 lu.
- 2C 2 Circuit
- LT Low temperature ballast
- PS Push switch
- PC Pull chain
- TS Turn switch
- CO Grounded convenience outlet
- 2B 2 Bodies wired together for tandem

Multiple cord options are available.

Consult factory for other options not shown

**accessories**

**LAMP OPTIONS**

- 12 T8 741K
- 15 T8 735K
- 10 T8 730K
- 13 T8 841K
- 16 T8 835K
- 11 T8 830K