

**GNO  
SERIES  
GUARDIAN  
OVAL  
ENCLOSED  
SURFACE  
LUMINAIRE**

Job Name	
Catalog Number	
Notes	Type



*Vertical Eyelid  
Guard*



*Cross Guard*



*Open Guard*



*Horizontal Eyelid  
Guard*

***application***

- Versatile wet location enclosed surface luminaire
- An excellent choice for walkways, parking structures, common areas or any area vandal resistant luminaires subject to the elements are required
- Attractive design available in various finishes and lens styles
- Available in 1 or 2 light compact fluorescent lamps and multiple ballast options
- Shallow units are ADA compliant

***finish***

- Back housing available in 4 standard color choices
- Prior to painting, all metal parts are treated with a multi-stage phosphate bonding process to ensure adhesion and inhibit rusting
- Finish of the guard is molded throughout

***construction***

- The GN series is a high quality fluorescent enclosed luminaire specifically designed for long-term, element prone installations
- Features die cast marine grade aluminum housing with 4 integral threaded and plugged conduit entry points
- Aluminum reflector plates for lamp/ballast mounting
- One piece injection molded guard with integral weep hole made from UV-stabilized polycarbonate
- Extruded and spliced EDPM ribbed rubber gasket provided for sealing the lens, luminaire housing provided with die-cut EPDM foam rubber gasket
- Tamper-proof TORX™ T-15 pin-in-head stainless steel screws provided, nylon capture washers also provided
- Optional TORX™ T-15 pin-in-head screwdriver available
- All fixtures are U.L. listed and IBEW union made

***electrical***

- Ballasts are class P, thermally protected
- Numerous options are available, see ordering information on back

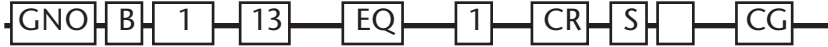
***diffuser***

- One piece 0.125" thick injection molded lens with radial prisms provides superior illumination
- Molded from UV stabilized polycarbonate in a clear, frost or translucent white finish

## ordering guide

NOTE: SOME ORDERING OPTIONS APPEAR ON PRODUCT LINE.  
FOR OTHER OPTIONS, SEE LIST AT RIGHT.

SAMPLE ORDER NUMBER



SERIES COLOR NO. LAMPS WATTAGE BALLAST TYPE VOLTAGE DIFFUSER DEPTH OPTIONS FACEPLATE LAMP TYPE

ORDERING GUIDE										
GNO	B, W, Z, T	1, 2	13	PN, MP, EQ, EP	1, 7	CR, FR, TW	S, D		CG, EG*, OG	13W CFL
GNO	B, W, Z, T	1	18	EQ	1, U	CR, FR, TW	S, D		CG, EG*, OG	18W CFL
GNO	B, W, Z, T	1	26	EQ	1, U	CR, FR, TW	S, D		CG, EG*, OG	26W CFL
GNO	B, W, Z, T	1	32	ET	1, U	CR, FR, TW	S, D		CG, EG*, OG	32W CFL

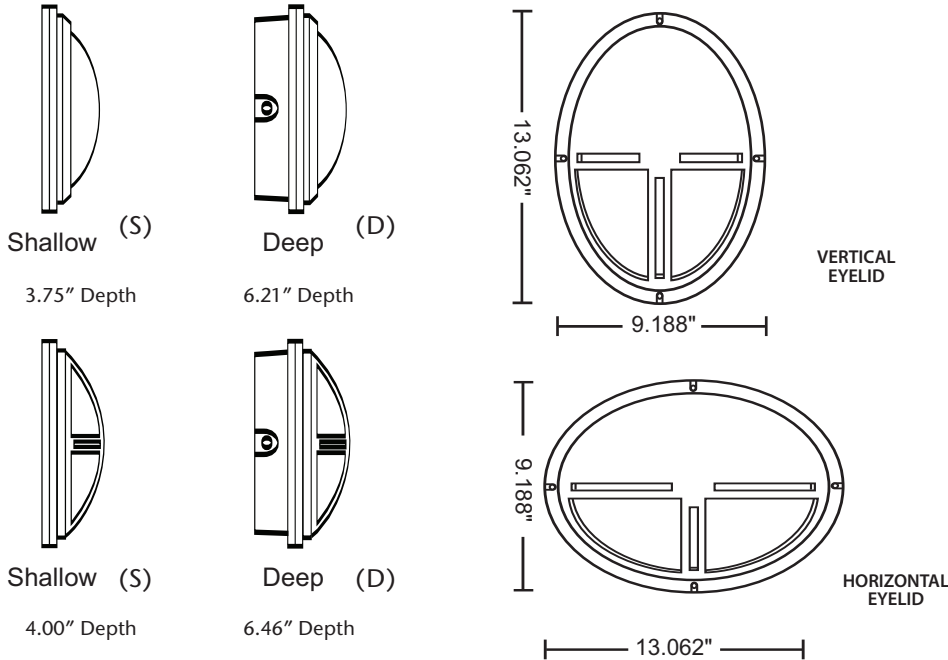
Emergency units require deep housing

\* Specify V or H for Vertical or Horizontal

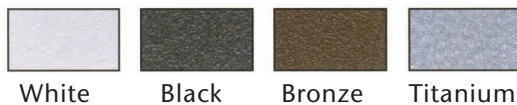
## dimensional data

NOTE: SPECIFICATIONS AND DIMENSIONAL DATA ARE SUBJECT  
TO CHANGE WITHOUT NOTICE.

### cross sections



### Exterior Finishes



### Lens Finishes



## options

OPTIONS: INSERT APPROPRIATE CODE FOR  
CUSTOMIZED ORDERING

### BALLAST

PN Magnetic 2-pin CFL  
MP Magnetic HPF 2-Pin CFL  
EQ Electronic 4-Pin Quad CFL  
EP Electronic 4-Pin CFL  
ET Electronic 4-Pin CFL

### VOLTAGE

1 120V  
7 277V  
U Universal 120 - 277V

### GENERAL OPTIONS

EM Emergency pack, 1 lamp  
90 min. up to 500 lu.  
(Deep Housing Only)  
2C 2 Circuit  
S Shallow Housing  
D Deep Housing  
HF High frequency occupancy sensor

### COLOR OPTIONS

B Black  
W White  
Z Bronze  
T Titanium

### GUARD OPTIONS

CG Cross Guard  
EG Eyelid Guard (H - Horiz, V - Vert)  
OG Open Guard

### DIFFUSER OPTIONS

CR Clear Ribbed  
FR Frosted Ribbed  
TW Translucent White

Consult factory for additional options not  
shown or listed

## accessories

Torx Tamper-proof TORX™ T-15  
pin-in-head screwdriver

Revised  
4/09