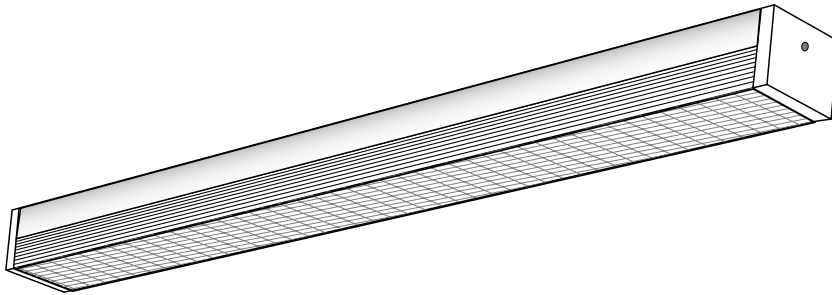




# H SERIES VERSATILE UTILITY LUMINAIRE



## *application*

- Decorative all-purpose luminaire, wall or ceiling mounted for residential, institutional or commercial applications
- Ideal for workstations, hospitals or corridors where optional two-circuit wiring, convenience outlets or switching can be optimized
- Able to be surface or pendant mounted individually or in continuous rows for a distinctive linear look
- Available in four colors, 1 or 2 light, multiple lengths and numerous lamp/ballast combinations

## *diffuser*

- One piece extruded clear, non-yellowing acrylic prismatic lens
- Features a prismatic pattern on the bottom and linear refractive sides for brightness control and 180° uniform light
- Grooved formation on the edges allows for a tight, no light leak attachment to the body
- Joiner band available for continuous runs, creating a finished appearance, supplied with tandem unit

## *construction*

- The H series is an high quality fluorescent luminaire specifically designed for durable, hi-visibility areas
- Features durable steel bodies, quality paint finishes and superior electrical components
- Die formed from cold rolled steel for strength and uniformity.
- Ends are die-formed for added strength and fastened securely to the housing by 2 acorn nuts
- The ends retaining the diffuser with positive engagement reduce vibration hazards
- Wireway covers are die-formed for durability and attach easily and securely with two screws
- Wiring components are secured to the back housing, allowing removal of the cover for easy maintenance, without disturbing any wiring
- Ample knockouts are provided on back for convenient installation
- All fixtures are U.L. listed and IBEW union made

## *electrical*

- All electrical components are U.L. listed
- Ballasts are class P, thermally protected
- 120V normal power factor is standard on all 2 ft. units
- 120V high power factor, energy saving ballasts comply with Federal Energy Efficiency Standards and are standard on all 4 ft. units
- Numerous options are available: T8 electronic; see ordering information on back

## *finish*

- Prior to painting, all metal parts are treated with a multi-stage phosphate bonding process to ensure adhesion and inhibit rusting
- Painted with a lighting grade baked white enamel, having a reflectance factor exceeding 87% for premium quality and durability

## ordering guide

NOTE: SOME ORDERING OPTIONS APPEAR ON PRODUCT LINE.  
FOR OTHER OPTIONS, SEE LIST AT RIGHT.

### SAMPLE ORDER NUMBER



SERIES COLOR NO. WATTAGE TANDEM BALLAST TYPE VOLTAGE OPTIONS DIMENSIONS LAMP TYPE  
1 2 LAMPS 1 2

T-12 ORDERING GUIDE										
H	W,C,B,L	1, 2	20		M2, MP	1, 7			4 1/2" x 24"	F20T12
H	W,C,B,L	1, 2	30		M2, R2	1, 7			4 1/2" x 36"	F30T12
H	W,C,B,L	1, 2	40		M2, R2	1, 7			4 1/2" x 48"	F40T12
H	W,C,B,L	1, 2	30	T	M2	1, 7	2B		4 1/2" x 72"	F30T12
H	W,C,B,L	1, 2	40	T	M2	1, 7	2B		4 1/2" x 96"	F40T12
T-8 ORDERING GUIDE										
H	W,C,B,L	1, 2	17		E8	1, 7			4 1/2" x 24"	F17T8
H	W,C,B,L	1, 2	25		E8	1, 7			4 1/2" x 36"	F25T8
H	W,C,B,L	1, 2	32		E8	1, 7			4 1/2" x 48"	F32T8
H	W,C,B,L	1, 2	25	T	E8	1, 7	2B		4 1/2" x 72"	F25T8
H	W,C,B,L	1, 2	32	T	E8	1, 7	2B		4 1/2" x 96"	F32T8
BIAX ORDERING GUIDE										
H	W,C,B,L	1, 2	36		EB	1, 7			4 1/2" x 18"	F36TT
H	W,C,B,L	1, 2	40		EB	1, 7			4 1/2" x 24"	F40TT

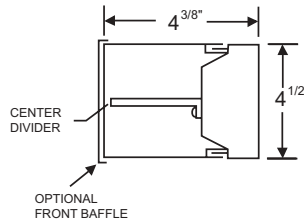
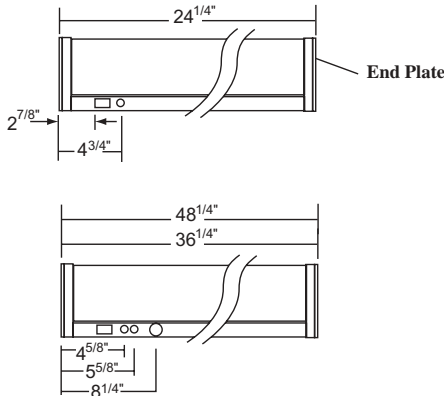
Note: Tandem units contain double the amount of lamps shown

### dimensional data

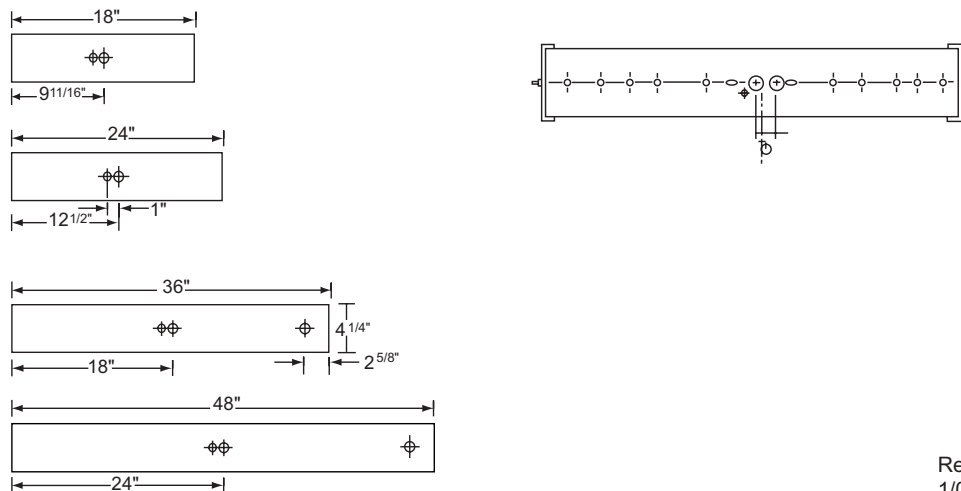
NOTE: SPECIFICATIONS AND DIMENSIONAL DATA ARE SUBJECT  
TO CHANGE WITHOUT NOTICE.

### switch and convenience outlets

### affle options



### back knockout plans and lengths



### options

OPTIONS: INSERT APPROPRIATE CODE  
FOR CUSTOMIZED ORDERING

#### BALLAST

- M2 Magnetic T12
- R2 Residential T12
- MP Magnetic HPF
- E8 Electronic T8
- EB Electronic biax
- EDX Electronic dimming Advance MX

#### VOLTAGE

- 1 120V
- 7 277V
- U Universal 120 - 277V

#### COLOR

- W White
- C Chrome
- B Brass
- L Walnut

#### GENERAL OPTIONS

- EM Emergency pack, 1 lamp  
90 min. up to 500 lu.
- 2C 2 Circuit
- 2B 2 Bodies
- LT Low temperature ballast
- <10 Less than 10% THD ballast
- PS Push switch
- PC Pull chain
- TS Turn switch
- CO Convenience outlet
- TP Tamper-proof screws
- TB Top baffle
- FB Front baffle
- 3B Top and front baffle

Multiple cord options are available.  
Consult Factory

### accessories

- RFH Aluminum reflector
- TG Tubeguard + Length/Wattage
- Canopy Standard white 5" dia.,  
1 1/2" deep with hardware
- Stem Stem + Length needed

### photometric data

SEE SECTION "P"  
FOR PHOTOMETRIC DATA

Revised  
1/03

