

LICOS SERIES

RECESSED
DIRECT / INDIRECT

Job Name

Catalog Number

Notes

Type



features

- A unique recessed bi-level luminaire controlled by an integral ultra-sonic motion sensor, designed to provide safe, dependable illumination while conserving energy. Perforated metal center basket provides soft, even illumination and a comfortable environment
- Bi-level fixtures operate at a low standby light level, offering safety and security with full light output instantly upon occupancy with areas fully lit only as needed
- Ideal for corridors, offices and other areas where maximum light levels are not required on a constant basis
- The ultra-sonic sensor features enhanced sensitivity and lamp conditioning circuit (patented) that keeps new lamps on for 100 hours to assure long lamp life and proper operation
- For safety and compliance purposes in areas designated as emergency egress, we recommend choosing a standby light level that will provide minimum code compliant light levels while in the standby mode. In most municipalities, this is 1 FC average (2 FC in NYC). See back for options

construction

- Housings are die-formed of 20 gauge steel, with riveted end plates and socket supports
- Quality construction throughout for long-term dependable service
- New York City Department of Buildings calendar number #43525
- Ample knockouts are provided on back and sides for convenient installation
- All fixtures are U.L. listed and IBEW union made

basket/reflector

- Reflector is constructed of high reflective non-yellowing matte white sheet aluminum for soft, indirect illumination
- Standard center basket is perforated formed steel with approximately 45% light transmission
- Basket is retained in fixture by four concealed studs for easy removal when cleaning or re-lamping

electrical

- All electrical components are U.L. listed
- Ballasts are class P, thermally protected T8 Electronic
- Optional battery backup available for one or two light emergency operation at various output levels. Please consult factory for your specific emergency pack requirements

finish

- Prior to painting, all metal parts are treated with a multi-stage phosphate bonding process to ensure adhesion and inhibit rusting
- Painted with a lighting grade baked white enamel, having a reflectance factor exceeding 87% for premium quality and durability

sensor

- High frequency, extremely sensitive ultra-sonic, internally mounted
- LED status indicator light
- Exclusive lamp conditioning circuit (patented)
- New fail-safe feature switches light level to high (100%) if sensor is physically damaged
- New 5 minute walk-test feature, easy-set time and sensitivity controls, compact design

Protected by one or more US Patents
Nos. 7,271,543 & 7,081,715

occu-smart[®]
technology



Occu-smart is a registered trademark of LaMar Lighting Co., Inc.

ordering guide

NOTE: SOME ORDERING OPTIONS APPEAR ON PRODUCT LINE.
FOR OTHER OPTIONS, SEE LIST AT RIGHT.

SAMPLE ORDER NUMBER

LICOS 2 32 24 E8 U PF AS EM

SERIES NO. LAMPS WATTAGE TANDEM BALLAST TYPE VOLTAGE LENS OPTION LIGHTING OPTION DIMENSIONS LAMP TYPE

T-8 ORDERING GUIDE

SERIES	NO. LAMPS	WATTAGE	TANDEM	BALLAST TYPE	VOLTAGE	LENS OPTION	LIGHTING OPTION	DIMENSIONS	LAMP TYPE
LICOS	2	17	22	E8	1, 7, U	PF	2C, FO, AS	24" x 24"	F17T8
LICOS	2	32	24	E8	1, 7, U	PF	2C, FO, AS	24" x 48"	F32T8

NOTE: STANDBY OPTION "AS" - UNIVERSAL VOLTAGE STANDARD

LICOS

SERIES

RECESSED
DIRECT / INDIRECT

options

OPTIONS: INSERT APPROPRIATE CODE FOR CUSTOMIZED ORDERING

BALLAST

E8 Electronic T8
Program rapid start ballasts are used for lamps that are cycled on/off or dimmed

VOLTAGE

1 120V
7 277V
U Universal 120-277V

DIFFUSER OPTIONS

PF Perforated metal - white (std)

LIGHTING OPTIONS

2C 1 lamp on constantly/1 lamp sensed on
FO All lamps on/off, All lamps sensed on
AS User selectable standby options
5, 10, 20 & 30% Nominal Light Output

GENERAL OPTIONS

EM Emergency pack, 1 lamp
90 min. up to 500 lu.

Consult Factory for higher lumen battery pack availability and additional options not shown or listed

accessories

LAMP OPTIONS

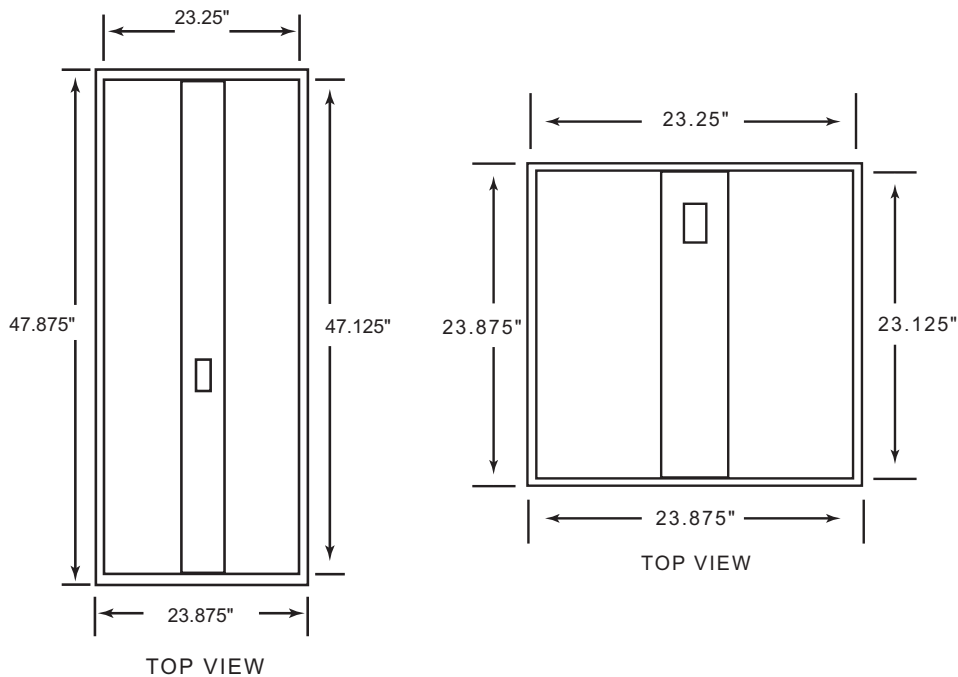
12 T8 741K
15 T8 735K
10 T8 730K
13 T8 841K
16 T8 835K
11 T8 830K

BEFORE INSTALLATION, PLEASE CONSULT YOUR LOCAL ORDINANCES AND BUILDING CODES FOR COMPLIANCE

dimensional data

NOTE: SPECIFICATIONS AND DIMENSIONAL DATA ARE SUBJECT TO CHANGE WITHOUT NOTICE.

cross sections



occu-smart[®]
technology

Protected by one or more US Patents
Nos. 7,271,543 & 7,081,715

Revised
10/07

LAMAR LIGHTING 485 Smith Street, Farmingdale, NY 11735 • Tel (631) 777-7700
Fax (631) 777-7705 • Outside NY (800) 724-7743 • www.lamarlighting.com

