



MO SERIES

HIGH OUTPUT
SURFACE
UTILITY
LUMINAIRE

features

- High efficiency, high output fluorescent luminaire utilizing efficient T5 lamps
- Suitable for a variety of applications including warehouses, retail stores and other commercial spaces that are normally lit by H.I.D. lighting
- Energy efficient alternative to traditional H.I.D. lighting
- Designed for suspended mounting only, minimum 6" from ceiling
- Designed to operate at 40°C (104°F) ambient, maximum
- Luminaire efficiency approaches 100%
- Highly specular anodized aluminum reflector
- Motion sensor options available
- Optional lenses available

construction

- Features durable steel bodies, quality paint finishes and superior electrical components
- Die formed from cold rolled steel for strength and uniformity
- Twist-lock sockets provide secure lamp retention
- Wiring components are secured to the back housing, allowing removal of the cover for easy maintenance, without disturbing any wiring
- Ample knockouts are provided on back for convenient installation
- All fixtures are U.L. listed and IBEW union made

reflector

- Anodized aluminum reflector offers 95% reflectivity and is designed for maximum efficiency and light output
- Reflector material options include 95% enhanced specular aluminum, 87% specular aluminum, 90% white aluminum and are designed for maximum efficiency and light output

electrical

- All electrical components are U.L. listed or recognized
- Ballasts are class P, thermally protected
- Instant start ballast requires no warm-up time, solving a problem common in traditional H.I.D.
- T8 and dimming are optional

finish

- Prior to painting, all metal parts are treated with a multi-stage phosphate bonding process to ensure adhesion and inhibit rusting
- Painted with a lighting grade baked white enamel, having a reflectance factor exceeding 87% for premium quality and durability

**MO
SERIES**

**HIGH OUTPUT SURFACE
UTILITY LUMINAIRE**

ordering guide

NOTE: SOME ORDERING OPTIONS APPEAR ON PRODUCT LINE.
FOR OTHER OPTIONS, SEE LIST AT RIGHT.

SAMPLE ORDER NUMBER



SERIES NO. WATTAGE TANDEM BALLAST TYPE VOLTAGE OPTIONS* DIMENSIONS LAMP TYPE
LAMPS 1 2 (NOMINAL)

T-8 ORDERING GUIDE								
MO	3, 4, 6	32		E8, H8	1, 7, U		16" x 48"	F32T8
T-SHO ORDERING GUIDE								
MO	3, 4, 6	54		H5	U, U3		16" x 48"	F54T5HO

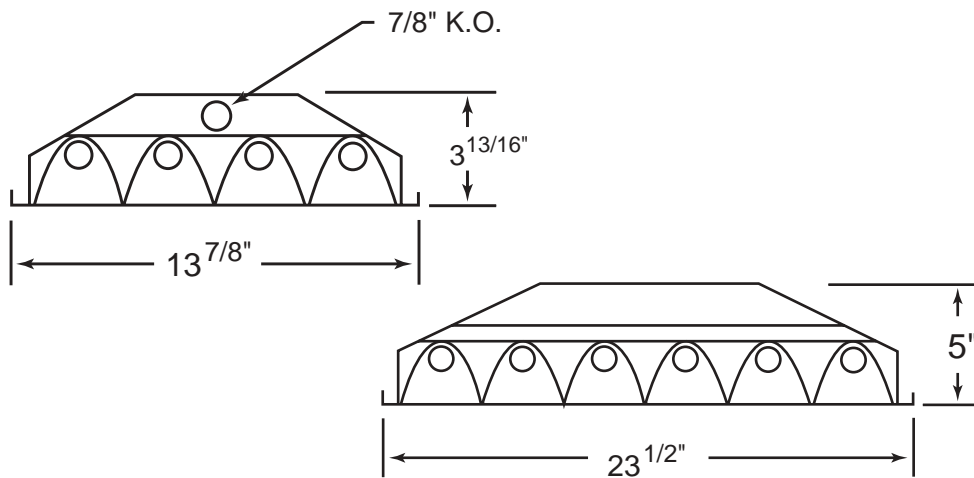
*MUST CHOOSE 1 REFLECTOR OPTION

6 lamp units 23 3/8" wide

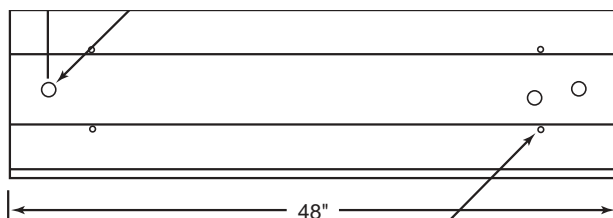
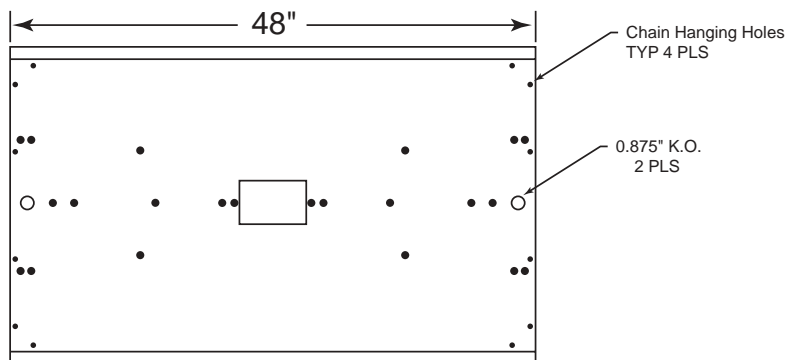
dimensional data

NOTE: SPECIFICATIONS AND DIMENSIONAL DATA ARE SUBJECT
TO CHANGE WITHOUT NOTICE.

end view



back knockout plans and lengths



Holes for mounting with
VBY Chain Hangar

Revised
9/05

options

OPTIONS: INSERT APPROPRIATE CODE
FOR CUSTOMIZED ORDERING

BALLAST

- E8 Electronic T8
- H5 High output T5
- H8 High output T8

VOLTAGE

- 1 120V
- 7 277V
- U Universal 120 - 277V
- U3 Universal 347 - 480V (T5 only)

GENERAL OPTIONS

- EM Emergency pack, 1 lamp
90 min. up to 500 lu.
- 2C 2 Circuit
- R95 95% Reflector
- R87 87% Reflector
- RW White reflector (aluminum)
- PA Prismatic Acrylic Lens
- PC Lexan Polycarbonate Lens Clear

- * Additional Lens Options - Consult Factory
- MSO* Motion Sensor - 360 deg. coverage
- MSL* Motion Sensor - Linear coverage

*Note: Specify which lamps to be sensed

Consult Factory for additional options not
shown or listed

accessories

- Stem Stem + Length needed
- W Wireguard
- AC Aircraft Cable (specify size)
- PB Pendant Bracket

LAMP OPTIONS

- 13 T5/T8 841K
- 16 T5/T8 835K
- 11 T5/T8 830K
- 85 T5 850K
- 10 T8 730K
- 15 T8 735K
- 12 T8 741K

