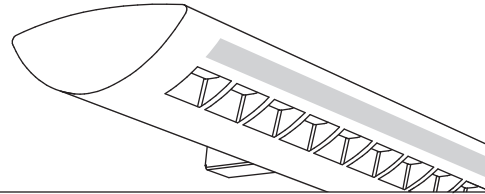


Wall  
 Direct/Indirect  
 1 T8 - Perf Housing



Project Name

Spec Type

Notes



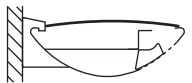
## Order Guide

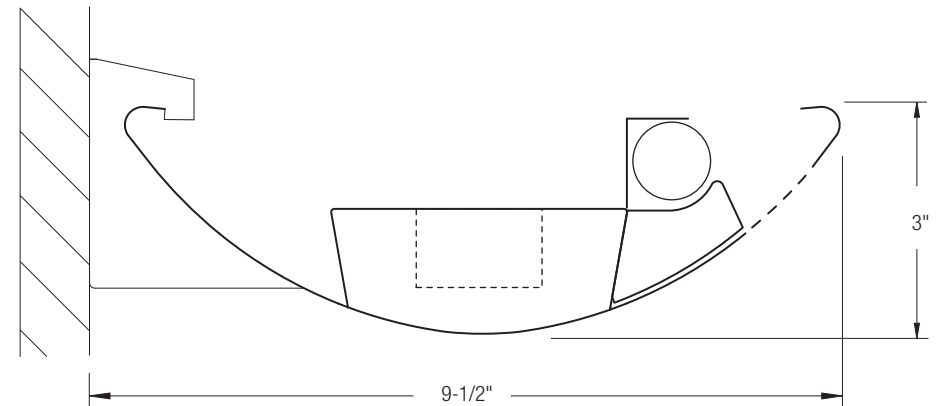
Some combinations of product options may not be available. Consult factory for assistance with your specification.

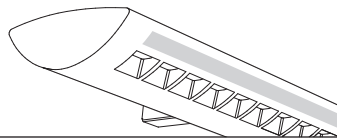
| 9508                                  | T01             |  |                               | -  |   | -  |  | -  |  |
|---------------------------------------|-----------------|--|-------------------------------|--|---|--|--|--|--|
| Product Series & Type<br>Centris Wall | Lamping<br>1 T8 | Lower Optics<br><b>M</b> Round Perf Housing / Solid Baffle<br><b>T</b> Round Perf Housing / Round Perf Baffle<br><b>U</b> Slot Perf Housing / Solid Baffle<br><b>Z</b> Slot Perf Housing / Round Perf Baffle<br><br>See details on reverse | Upper Optics<br><b>N</b> None | Run Length<br><i>Enter the total run length in feet (4ft increments)</i><br><br>See details on reverse | Wiring<br><b>1</b> 1 cct<br><b>3</b> 1 cct w/ Emergency cct<br><b>5</b> 1 cct w/ Battery Pack<br><b>7</b> 1 cct Dimming<br><br>Consult website for complete list of standard wiring options | Voltage<br><b>1</b> 120V<br><b>2</b> 277V<br><b>3</b> 347V | Ballast<br><b>E</b> Standard Ballast<br><br>Consult website for ballast manufacturer information | Color & Finish<br><b>W</b> Standard White<br><b>C</b> Factory Color<br><b>X</b> Custom Color<br><br>Consult website for color and finish options |  |

## Upgrades & Accessories

Please indicate with check mark.

|  |  |
|--|--|
| <input type="checkbox"/> Lamps Included                              | <input type="checkbox"/> Lamps Included and Installed  |
| <input type="checkbox"/> Sculptured Endcap<br>See details on reverse | <input type="checkbox"/> Dust Cover<br> |





**Photometry** Optics MN Round Perf Housing / Solid Baffle

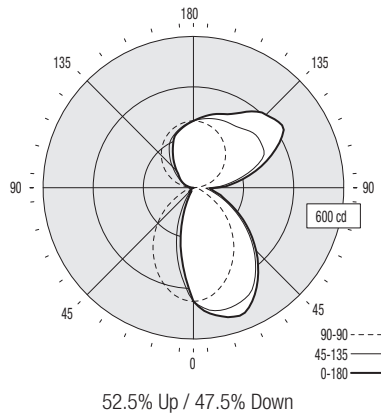
**Report Summary**

**Report #** 2101676  
**Filename** 9508T01MN-TN.ies  
**Efficiency** 64.1%

**Peak Candela Value\*** 432 @ 125°  
**Peak to Zenith Ratio\*** 1.6 : 1  
\* Between 90-180° vertical angle

**Candela Distribution**

| Vertical Angle | Horizontal Angle |      |     |      |     | Zonal Lumens |
|----------------|------------------|------|-----|------|-----|--------------|
|                | 0                | 22.5 | 45  | 67.5 | 90  |              |
| 0              | 451              | 451  | 451 | 451  | 451 |              |
| 5              | 490              | 479  | 446 | 388  | 359 | 41           |
| 15             | 532              | 499  | 411 | 258  | 197 | 106          |
| 25             | 524              | 486  | 352 | 136  | 60  | 143          |
| 35             | 447              | 430  | 281 | 44   | 19  | 151          |
| 45             | 354              | 339  | 204 | 23   | 23  | 142          |
| 55             | 258              | 243  | 125 | 19   | 8   | 113          |
| 65             | 170              | 156  | 56  | 3    | 1   | 75           |
| 75             | 112              | 92   | 27  | 1    | 1   | 46           |
| 85             | 71               | 56   | 8   | 1    | 1   | 29           |
| 90             | 96               | 67   | 1   | 1    | 1   |              |
| 95             | 151              | 127  | 17  | 7    | 8   | 63           |
| 105            | 257              | 226  | 64  | 27   | 25  | 119          |
| 115            | 362              | 311  | 104 | 51   | 47  | 163          |
| 125            | 432              | 324  | 145 | 77   | 66  | 178          |
| 135            | 409              | 317  | 181 | 118  | 95  | 168          |
| 145            | 368              | 297  | 212 | 168  | 140 | 147          |
| 155            | 322              | 292  | 237 | 211  | 192 | 115          |
| 165            | 301              | 284  | 254 | 236  | 231 | 73           |
| 175            | 277              | 272  | 264 | 257  | 254 | 25           |
| 180            | 265              | 265  | 265 | 265  | 265 |              |



**Coefficients of Utilization (%)**

| Ceiling:<br>Wall: | 80 |    |    |    | 70 |    |    |    | 50 |    |    |   | 0  |    |    |    |   |
|-------------------|----|----|----|----|----|----|----|----|----|----|----|---|----|----|----|----|---|
|                   | 70 | 50 | 30 | 10 | 70 | 50 | 30 | 10 | 50 | 30 | 10 | 0 | 70 | 50 | 30 | 10 | 0 |
| 0 RCR             | 68 | 68 | 68 | 68 | 62 | 62 | 62 | 51 | 51 | 51 | 28 |   |    |    |    |    |   |
| 1                 | 62 | 59 | 56 | 54 | 56 | 54 | 52 | 45 | 43 | 42 | 24 |   |    |    |    |    |   |
| 2                 | 56 | 52 | 48 | 45 | 51 | 47 | 44 | 40 | 37 | 35 | 20 |   |    |    |    |    |   |
| 3                 | 51 | 46 | 41 | 37 | 47 | 42 | 38 | 35 | 32 | 30 | 17 |   |    |    |    |    |   |
| 4                 | 47 | 40 | 36 | 32 | 43 | 37 | 33 | 31 | 28 | 25 | 15 |   |    |    |    |    |   |
| 5                 | 43 | 36 | 31 | 27 | 40 | 33 | 29 | 28 | 25 | 22 | 13 |   |    |    |    |    |   |
| 6                 | 40 | 32 | 27 | 24 | 37 | 30 | 26 | 25 | 22 | 19 | 12 |   |    |    |    |    |   |
| 7                 | 37 | 29 | 24 | 21 | 34 | 27 | 23 | 23 | 20 | 17 | 10 |   |    |    |    |    |   |
| 8                 | 34 | 27 | 22 | 18 | 31 | 25 | 20 | 21 | 18 | 15 | 9  |   |    |    |    |    |   |
| 9                 | 32 | 24 | 20 | 16 | 29 | 23 | 18 | 19 | 16 | 14 | 9  |   |    |    |    |    |   |
| 10                | 30 | 22 | 18 | 15 | 27 | 21 | 17 | 18 | 15 | 12 | 8  |   |    |    |    |    |   |

Based on a floor reflectance of 0.2

**Avg. Luminance (cd/m²)**

| Vertical Angle | Horizontal Angle |     |    |
|----------------|------------------|-----|----|
|                | 0                | 45  | 90 |
| 55             | 1207             | 888 | 37 |
| 65             | 921              | 540 | 5  |
| 75             | 748              | 425 | 7  |
| 85             | 644              | 374 | 9  |

IES files for this and other photometric options can be downloaded online at [www.ledalite.com](http://www.ledalite.com)

**Additional Information**

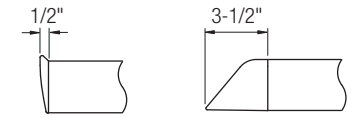
**Modules**

Module length excludes endcaps.  
Nominal mount spacing for individually mounted modules.

| Module | Nominal Length |
|--------|----------------|
| 4ft    | 4' 0"          |
| 8ft    | 8' 0"          |
| 12ft   | 12' 0"         |

Refer to installation instructions for exact mount spacing

**Endcap**



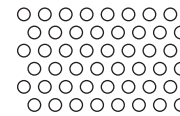
Flat (Standard)

Sculptured

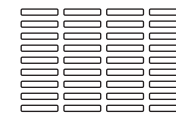
**Mounting Hardware**

- Mounts variable within 6" of end or joint.
  - Minimum one mount per fixture end or joint.
- Note:** Mount is not continuous, and therefore fixture is not flush with wall.

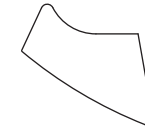
**Lower Optics**



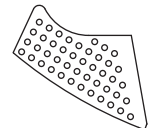
Round Perf Housing



Slot Perf Housing



Solid Baffle



Round Perf Baffle

**Specifications**

Due to continuing product improvements, Ledalite reserves the right to change specifications without notice.

**Housing**

Die-formed 20 gauge cold-rolled steel.

**Weight**

3.0 lb/ft.

**Optical System**

Direct/Indirect: Constructed of 96% reflective white steel, and produces an asymmetric direct/indirect distribution. Baffles are white blades spaced 2-7/16" apart and are 3/4" deep (18 cells per 4ft section). Perforation of baffles and housing is optional. Perforated housing options use additional acrylic overlay.

Semi-indirect: Constructed of highly specular aluminum, 96% reflective white steel, and a perforated optical filter with acrylic overlay to produce an asymmetric semi-indirect distribution.

Indirect: Constructed of highly specular aluminum and 96% reflective white steel to produce an asymmetric indirect distribution.

**Endcaps**

Die-cast endcap or optional die-cast sculptured endcap.

**Joints**

Self-aligning joining system with hands-free pre-joining wire access.

**Mounting**

Brackets attach to existing structure, variable within 6" of end or joint.

**Electrical**

All luminaires shall be factory pre-wired to section ends with quick-wire connectors.

**Ballast**

Electronic.

**Approvals**

Certified to UL & CSA standards.

**Finish**

High-quality powder coat. Available in Ledalite Standard White (textured matte finish), and a selection of other factory and customer-specified colors. Consult factory for details.