

## MT562-SGY

UPC Code: 07847741793

Country of Origin: China

### Description

15 Amp, 125 Volt, NEMA 5-15R, 2P, 3W, Narrow Body Duplex Receptacle, Straight Blade, Fed Spec Commercial Grade, Self Grounding, Tamper-Resistant, Modular Terminals, Steel Strap, Lev-Lok - GRAY

### Product Features

NEMA: 5-15R

Color: Gray



Color: Gray



NEMA: 5-15R

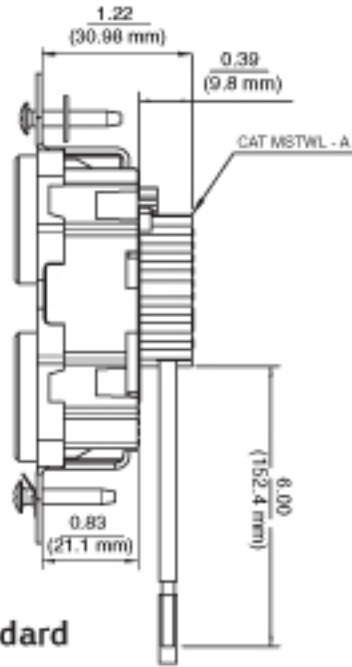
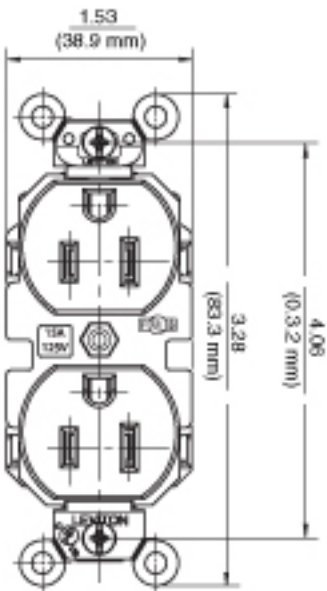


AC Horsepower Ratings	
Horsepower Rating	1/2 HP
Environmental Specifications	
Flammability	Rated V-2 per UL94
Operating Temperature	-40C to 60C
Mechanical Specifications	
Product ID	Ratings are permanently marked on device
Termination	Modular Terminals

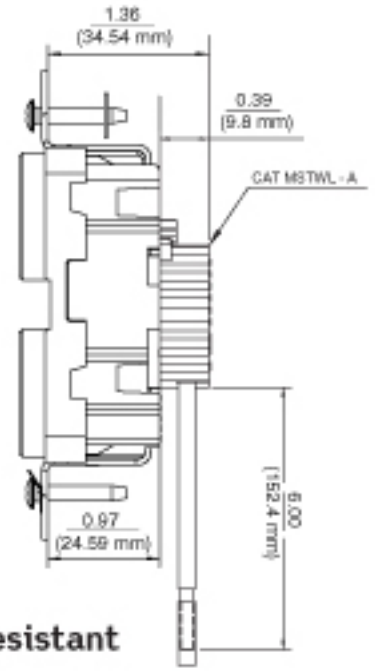
Electrical Specifications	
Grounding	Self Grounding
Amperage	15 Amp
Voltage	125 Volt
Pole	2
Wire	3
Dielectric Voltage	Withstands 2000V per UL498
Maximum Working Voltage	125V as rated
Current Interrupting	Certified for current interrupting at full rated current
Temperature Rise	Max 30C after 250 cycles OL at 200 percent rated current

Material Specifications	
Cover Material	Nylon
Base Material	Nylon
Mounting Strap	Galvanized Steel with Riveted Ground Contacts
Ground Clips	Brass
Line Contacts	0.040" Thick Solid Brass
Locking Pins	Solid Brass
Bushing	Solid Brass
Mounting Screws	Triple Combination Head, Steel
Shutter Mechanism	Delrin® Acetal

Standards and Certifications	
NEMA	WD-1 & WD-6
ANSI	C-73
UL498	File E13399
UL Fed Spec WC-596	File E13399
CSA C22.2 No. 42	File 152105
NOM	057
Warranty	10 Year Limited

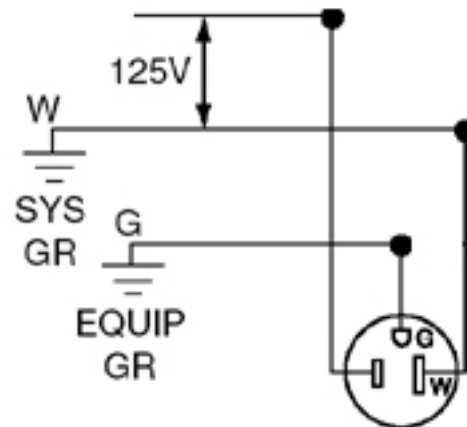


Standard



Tamper-Resistant

**Wiring Diagram**



5-15R

**SPECIFICATION SUBMITTAL**

JOB NAME:	CATALOG NUMBERS:	
<input type="text"/>	<input type="text"/>	<input type="text"/>
JOB NUMBER:	<input type="text"/>	<input type="text"/>

**Leviton Manufacturing Co., Inc.**

201 North Service Road, Melville, NY 11747

Telephone: 1-800-323-8920 · FAX: 1-800-832-9538 · Tech Line (8:30AM-7:30PM E.S.T. Monday-Friday): 1-800-824-3005

**Leviton Manufacturing of Canada, Ltd.**

165 Hymus Boulevard, Pointe Claire, Quebec H9R 1E9 · Telephone: 1-800-469-7890 ·

FAX: 1-800-824-3005 · [www.leviton.com/canada](http://www.leviton.com/canada)

**Leviton S. de R.L. de C.V.**

Lago Tana 43, Mexico DF, Mexico CP 11290 · Tel.: (+52)55-5082-1040 · FAX: (+52)5386-1797 ·

[www.leviton.com.mx](http://www.leviton.com.mx)

**Visit our Website at: [www.leviton.com](http://www.leviton.com)**

© 2007-2010 Leviton Manufacturing Co., Inc. All rights reserved. Subject to change without notice.

**Leviton has a global presence.**

If you would like to know where your local Leviton office is located please go to:

[www.leviton.com/international/contacts/](http://www.leviton.com/international/contacts/)

