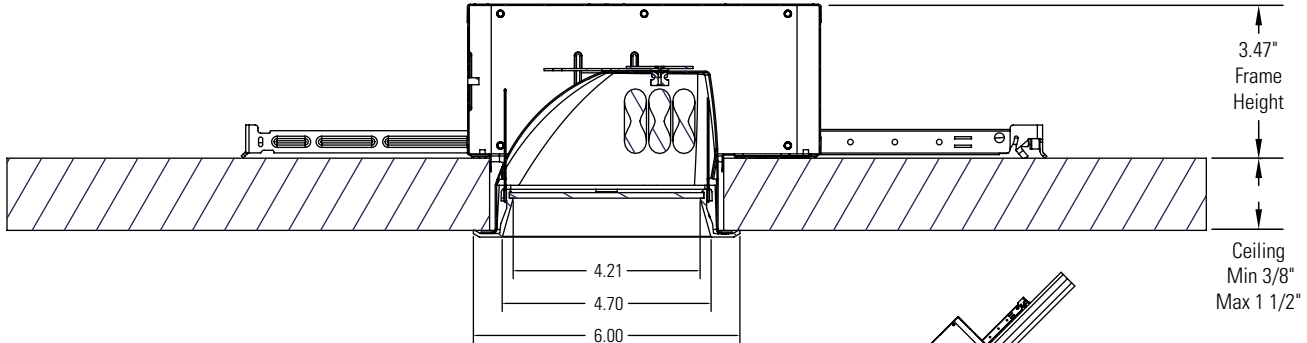


LIGHTOLIER® Lensed Recessed CFL Downlighting **1050SQSLW**

Page 1 of 2

5" Square Horizontal Lensed Slope/Wall Wash, CFL, Reflector Trim



Application 1:
Wall Wash Orientation

Application 2:
Slope Ceiling Orientation
Works with 14° - 45° (3/12-12/12) Slope

Complete Fixture consists of Frame-In Kit and Reflector Trim. Select each separately.

Xceed Compact Fluorescent Lensed Square Reflector Trims		Compatible Xceed Frame-In Kits (See Individual Frame-In Kit Specification Sheets)		
Catalog No.	Description	Catalog No.	Installation Type	Lamping
1050SQSLWWB	5" Horizontal Lensed Slope/Wall Wash - White Baffle, White Flange	1050SQ13ES*	IC Airseal® 120v	13w Triple
1050SQSLWCDW	5" Horizontal Lensed Slope/Wall Wash - Clear Diffuse, White Flange	1050SQ18ES*	IC Airseal® 120v	18w Triple
1050SQSLWCDP	5" Horizontal Lensed Slope/Wall Wash - Clear Diffuse, Clear Diffuse Flange	1050SQ26ES*	IC Airseal® 120v	26w Triple
1050SQSLWWDW	5" Horizontal Lensed Slope/Wall Wash - Warm Diffuse, White Flange	1050DSQ26ES*	IC Airseal® Energy Star® Dimming 120V	26w Triple
1050SQSLWWDP	5" Horizontal Lensed Slope/Wall Wash - Warm Diffuse, Warm Diffuse Flange			

*All frames come standard with preset mounting screws and a 2700K lamp. Models are available with preset nails and/or a 3500K lamp. (13ES = 2700K only). Simply add an N and/or 35 to the end of the model number for those options.

Features

- Upper Reflector:** Formed aluminum. Highly reflective corrosion resistant anodized finish.
- Lower Baffle / Cone:** Injection molded non-yellowing Polycarbonate plastic trim. Matte white finish. CD and WD finishes are a painted metallic finish.
- Lens:** 1/8" thick high transmission soda lime glass. Solite texture to hide visibility to the lamp.
- Finishes:** WB = Matte white baffle CD = Clear Diffuse WD = Warm Diffuse
- Performance Data:** See attached photometric reports for distribution and efficiency data. Go to www.lightolier.com for .IES files.

Labels

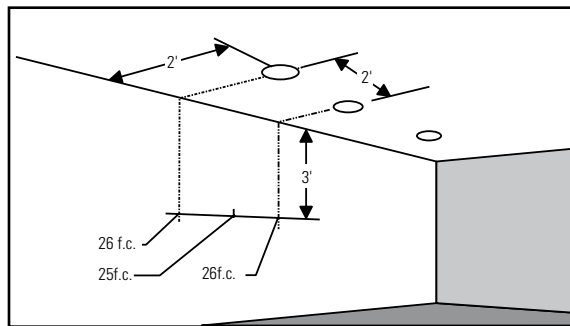
cULus Listed. Suitable for Wet Locations. I.B.E.W.

Job Information	Type:
Job Name:	
Cat. No.:	
Lamp(s):	
Notes:	

631 Airport Road, Fall River, MA 02720 • (508) 679-8131 • Fax (508) 674-4710
We reserve the right to change details of design, materials and finish.
www.lightolier.com © 2008 Philips Group • B1008

Lighting Data - Example

illumination on the wall 3' down from the ceiling is 26 f.c. beneath and 25 f.c. between fixtures.



1050SQSLWWB - 18W CFL LAMP

REFLECTOR TRIM:
1050SQSLWWB
REPORT NO.3865FR
LAMP:
18W PLT, 4 PIN , GX24q-2 BASE
INITIAL LUMENS: 1200
EFFICIENCY: 55.2%

TESTED ACCORDING TO
IES PROCEDURES
WITH THERMAL INSULATION

Multiple Units - Footcandles On Wall

2' from Wall - 2' On Center

Distance From Ceiling in Feet	□ <--- 2' ---> □		
	1	22	18
2	33	31	33
3	26	25	26
4	18	18	18
5	13	9	13
6	9	7	9
7	7	5	7
8	5	6	5
9	4	5	4
10	3	4	3

Multiple Units - Footcandles On Wall

3' from Wall - 3' On Center

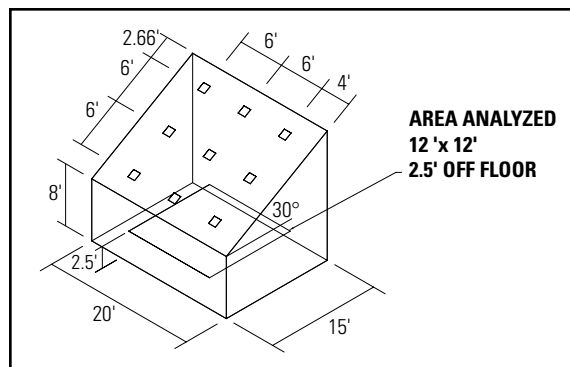
Distance From Ceiling in Feet	□ <--- 3' ---> □		
	1	6	6
2	12	12	12
3	14	14	14
4	12	12	12
5	10	10	10
6	8	8	8
7	6	6	6
8	5	5	5
9	4	4	4
10	3	3	3

SLOPE APPLICATION

Footcandles 2.5 feet Above the Floor

Fixtures on 6' x 6' centers in 15' x 20' room with 30 Degree sloped ceiling.

Room Reflectance's: 80% Ceiling, 50% Walls, 20% Floor



1050SQSLWWB 18W PL-T

13	15	15	14	12
12	15	17	15	14
14	16	17	16	14
12	15	17	15	14
13	14	15	13	12

1050SQSLWWB 26W PL-T

19	22	22	20	18
18	22	25	23	20
21	24	25	23	21
18	22	25	23	20
19	22	22	20	18

Footcandle values are initial, shaded areas represent footcandle values directly below fixtures (6 feet on center).

Job Information **Type:**

631 Airport Road, Fall River, MA 02720 • (508) 679-8131 • Fax (508) 674-4710
We reserve the right to change details of design, materials and finish.
www.lightolier.com © 2008 Philips Group • B1008