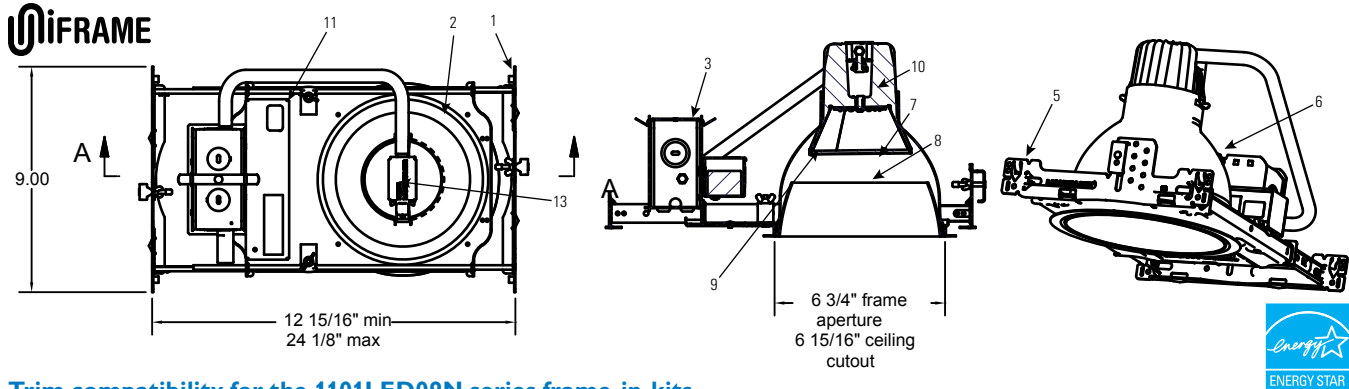


Project:	Catalog No:	Mfg:
Location:	Fixture Type:	Qty:
Notes:		Lamps:



Trim compatibility for the 1101LED09N series frame-in-kits.

Frame-in kit example: 1101LED09N27D1				Compatible Trims								
Catalog number	Details	CCT	Voltage	Anodized reflector	Cone	Satin cone	Baffle	Cross-blade	Enclosed diffusers	Wall washers	Open wet	
1101LED	Lytecaster LED 6 3/4", Non-IC, frame-in kit	09N 900lmn, New constr.	27 2700K	1143	1112	1108	1105	1132	1121*	1195*	1184WH	
			35 3500K	1144	1112NM	1105NM	1124*	1196*	1184CD			
			D1 120v dimmable	1144CD	1113	1110	1105WH	1126	1128*	1196CD*		
			D2 277v dimmable	1145	1113NM	1110NM	1105BNM	1128*	1134*			
				1146	1113BK		1176*	1177SH*	1178SH*			
				1146CD	1113BKNM		1176WH	1190				
					1113CD							
					1113CDNM							
					1113WH							

* Trims marked are not Energy Star certified.

Features

- Mounting frame:** .036" (#20ga.) Galvanized steel. Accommodates all ceilings up to 1 1/2" thick.
- Trim clips:** "Push in/twist out" stainless steel clips hold reflector flush to ceiling.
- Junction box:** 2" x 4" x 3-1/2" (22cu. in.) .032" (#22ga.) galvanized steel. UL Listed for maximum of 8 (#12ga.) through branch circuit conductors.
- Uniframe mounting system – grid ceiling:** Tool free mounting in grid ceilings. .036" (20ga.) Galvanized steel interlocking slide bars adjust to 24-1/8" long accommodating 24" O.C. Ceiling Grid. Adjustable speed clamps for positive attachment to grid ceiling systems.
- Uniframe mounting system – wood joist ceiling:** Integral nailing tabs, alignment guides, fastener holes and bendable strapping guides for wood joist installation. Galvanized steel interlocking slide bars adjust from 12-15/16" to 24-1/8" long to accommodate 16" and 24" O.C. joist spacing, with or without strapping.
- Reflector:** See individual specification sheets for information.
- Optical mixing chamber:** Designed to provide a spacing ratio of .9 (60° beam) when installed in standard Lytecaster trims. Optic design provides less glare than standard PAR lamps.
- Lens:** Solite Glass lens has high transmission value with slight texturing to provide a smooth consistent beam distribution.
- LED board:** Utilizes Philips Lumileds LED's.
- Thermal management:** Proprietary heat sink was developed using the latest in Computational Fluid Dynamics Software. This optimized thermal design provides a 50,000 hour lifetime at 70% lumen maintenance. Cast aluminum heat sink is coated with a RoHS compliant coating (trivalent chromate) to resist corrosion in damp/wet environments.
- Power supply/enclosure:** Factory wired electronic LED driver (see Electrical section for specifications) Enclosed in a 22Ga galvanized steel housing.

Features (continued)

- Thermal protector:** Meets NEC and UL requirements. Do not install insulation above or within 3" (76mm) of any part of the luminaire.
- Top heat sink cover:** Tool free snap on enclosure bracket. 22-ga component houses the driver secondary tool free wire connector.

Electrical

Electronic power supply: RoHS compliant Class 2 power unit for use in a damp or dry location (Outdoor Type1 IP66). Class A sound rated unit tolerates sustained open circuit and short circuit output conditions without damage. Complies with FCC rules per Title 47 CFR Part 15 Non-Consumer (Class A) for EMI/RFI (conducted and radiated) at full load. Dimming (0-10V) version intended for use with 0-10V DC type dimmers. See LED-DIM.pdf for latest dimming switch compatibility.

Input voltage	Input frequency	Max input current	Max input power	Max THD	Power factor	Minimum operating temperature	Dimming signal
120v	50/60Hz	0.2	24W	< 20%	>.9	-20° C	N/A
120v Dim	50/60Hz	0.2	24W	< 20%	>.9	-20° C	0-10V
277v	50/60Hz	0.09	24W	< 20%	>.9	-20° C	N/A
277v Dim	50/60Hz	0.09	26W	< 20%	>.9	-20° C	0-10V

Accessories

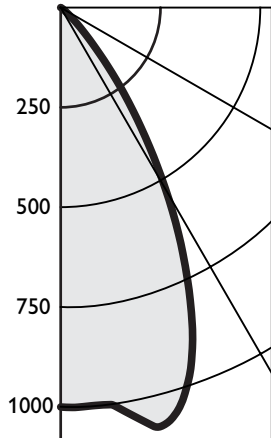
1967A Extra thick ceiling adapter (2" thk) L56VWLENS Spread lens for use with wall wash trims to provide even vertical illumination.

Labels

UL wet location classified. cULus listed. 5 year warranty. Suitable for damp locations. I.B.E.W. Title 24 compliant. Energy Star certified (except "D2").



Lytecaster LED, 2700K Uniframe



Angle	Mean CP
0	1001
5	1001
10	1038
15	1068
20	955
25	752
30	525
35	317
40	154
45	63
50	22
55	9
60	3
65	1
70	0
75	0
80	0
85	0
90	0

Catalog no: 1101LED09N271 / 1113
Report no.: F10146
Total fixture lumens: 995 lms
Color temp: 2700K
Input watts: 20.6W
Luminaire efficacy 48 lm/w
Spacing criterion: 1.00
CRI 82

Zonal lumens and percentages			
Zone	Lumens	%Lamp	%Fixt
0-30	731	N/A	74
0-40	930	N/A	94
0-60	993	N/A	99
0-90	994	N/A	100

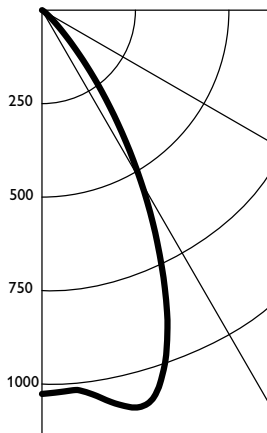
Coefficients of utilization											
Ceiling	80%			70%			50%			0%	
Wall	70	50	30	70	50	30	50	30	10	0	
RCR	Zonal cavity method - Effective floor reflectance = 20%										
Room cavity ratio	0	119	119	119	116	116	116	111	111	111	100
	1	114	111	108	111	109	107	105	103	101	94
	2	108	103	99	106	102	98	98	95	93	87
	3	103	96	92	101	95	91	92	89	86	81
	4	98	90	85	96	89	84	87	83	79	76
	5	93	85	79	91	84	78	82	77	73	71
	6	88	79	73	87	79	73	77	72	68	66
	7	84	75	69	82	74	68	73	68	64	62
	8	80	70	64	79	70	64	69	64	60	58
	9	76	66	61	75	66	60	65	60	56	55
	10	72	63	57	71	62	57	62	57	53	51

Single unit data		
Height to	Initial	Beam
Lighted	Center beam	Diameter*
Plane	Foot-candles	
6'	28	6
7'	20	7
8'	21	8

*Beam diameter is where foot-candles drop to 50% of maximum.

Tested using absolute photometry as specified in LM79: IESNA Approved Method for the Electrical and Photometric Measurements of Solid-State Lighting Products.

Lytecaster LED, 3500K Uniframe



Angle	Mean CP
0	1027
5	1020
10	1064
15	1090
20	973
25	759
30	529
35	318
40	156
45	63
50	24
55	9
60	3
65	1
70	0
75	0
80	0
85	0
90	0

Catalog No: 1101LED09N351 / 1113
Report no.: F10142
Total fixture lumens: 1010 lms
Color temp: 3500K
Input watts: 20.6W
Luminaire efficacy 49 lm/w
Spacing criterion: 0.98
CRI 82

Zonal lumens and percentages			
Zone	Lumens	%Lamp	%Fixt
0-30	743	N/A	74
0-40	944	N/A	94
0-60	1009	N/A	99
0-90	1010	N/A	100

Coefficients of utilization											
Ceiling	80%			70%			50%			0%	
Wall	70	50	30	70	50	30	50	30	10	0	
RCR	Zonal Cavity Method - Effective Floor Reflectance = 20%										
Room Cavity Ratio	0	119	119	119	116	116	116	111	111	111	100
	1	114	111	108	111	109	107	105	103	101	94
	2	108	103	99	106	102	98	98	95	93	87
	3	103	96	92	101	95	91	92	89	86	81
	4	98	90	85	96	89	84	87	83	79	76
	5	93	85	79	91	84	78	82	77	74	71
	6	88	79	73	87	79	73	77	72	69	66
	7	84	75	69	82	74	68	73	68	64	62
	8	80	70	64	79	70	64	69	64	60	58
	9	76	66	61	75	66	60	65	60	56	55
	10	72	63	57	71	62	57	62	57	53	52

Single unit data		
Height to	Initial	Beam
Lighted	Center beam	Diameter*
Plane	Foot-candles	
6'	29	6
7'	21	7
8'	16	8

*Beam diameter is where foot-candles drop to 50% of maximum.

Tested using absolute photometry as specified in LM79: IESNA Approved Method for the Electrical and Photometric Measurements of Solid-State Lighting Products.



© 2013 Koninklijke Philips N.V. (Royal Philips). All rights reserved.
 Specifications are subject to change without notice.
www.philips.com/luminaires

1101LED 07/13

Philips Lighting Company
 200 Franklin Square Drive
 Somerset, NJ 08873
 Phone: 855-486-2216

Philips Lighting Company
 281 Hillmount Road
 Markham ON, Canada L6C 2S3
 Phone: 855-486-2216