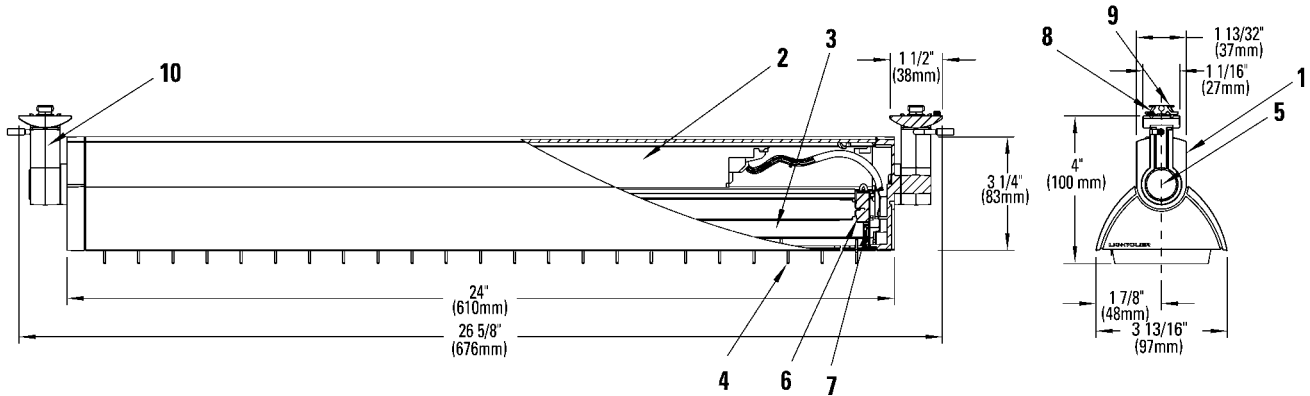


Lytespan® Track Lighting System **9276**



Ordering Information

Catalog No.	Finishes	Track Mountings	Lamps
9276WH	Matte White	Compatible with all Lytespan® Track Systems.	2 x 24w T5 High Output (Fluorescent)
9276BK	Matte Black		
9276AL	Metallic Aluminum	Not compatible with ProSpec Track, Clamp-On	1 x 24w T5 High Output (Fluorescent)
9277WH	Matte White	Monopoint, Slope Ceiling Adapter or Extension	
9277BK	Matte Black	Wands.	
9277AL	Metallic Aluminum		

Features

- Ballast & Reflector Housing:** Aluminum with die-cast endcaps.
- Ballast:** 24w electronic.
- Flood Reflector:** Aluminum, with highly reflective and semispecular finish for a smooth wash of light.
- Louver:** Aluminum, for glare control, with captive locking springs for easy installation and removal.
- Vertical Pivot:** Die cast rotation housing with positive rotation stop provides 0° (NADIR) –130° vertical rotation in both directions.
- Sockets:** 600v rated mini bi pin sockets with 90° rotor lock to engage contacts and retain with a positive detent.
- Socket Bracket:** Adjustable steel, mounting bracket slides out for easy lamping.
- Attachment Fitting:** Molded polycarbonate; pin rotates fitting into track to engage luminaire.
- Brass Contact:** Extends for connection to second circuit in Advent® Lytespan track.
- Track Adapter Arm:** Die-cast aluminum with integral polarity keyguard.

Electrical

Rapid Start High Power Factor, Class P Electronic Ballast
 Power Factor: >.97%
 Sound Rated: A
 Minimum Start Temp: 0°F
 Input Watts: 9276 52W
 9277 26W

Finish

All painted finishes are baked enamel.

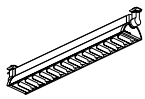
Labels

UL, c.U.L.

Advent® is a registered trademark of Lightolier.

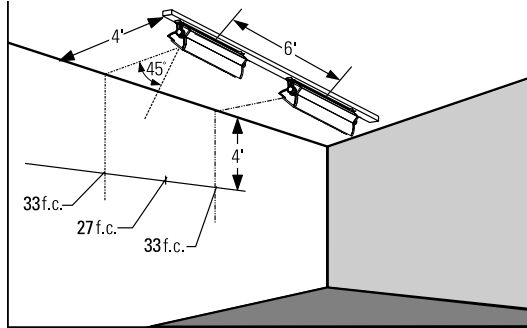
Job Information	Type:
Job Name:	
Cat. No.:	
Lamp(s):	
Notes:	

LIGHTOLIER®

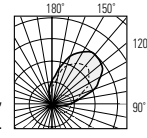


Lighting Data 2 - 24W T5 High Output

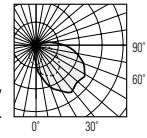
Footcandles on wall:



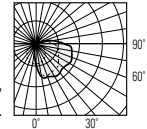
Lamp Information:
 2 X 24W T5 High Output
 Mini Bi-Pin Fluorescent (9276)
 1 x 24W T5 High Output
 Mini Bi Pin Fluorescent (9277)



Two Lamps, without louver, aimed 45° up.



Two Lamps, with louver, aimed 45° down.



One Lamp, with louver, aimed 45° down.

EXAMPLE: With track located 4' from wall and multiple units spaced 6' on center and aimed 45° from horizontal, the illumination on wall 4' from ceiling will be 33 f.c. beneath units and 27 f.c. between units.

Footcandles on Wall

Track 3 Feet From Wall		Single Unit						Multiple Units								
		0'	1'	2'	3'	4'	5'									
Distance From Ceiling		Beam Center														
	1'	100	78	40	18	9	5	120	88	120	111	58	111	107	38	107
	2'	78	62	35	16	7	3	92	74	92	84	50	84	80	33	80
	3'	48	41	26	15	7	3	63	56	63	54	41	54	51	29	51
	4'	31	27	19	12	7	4	48	45	48	41	35	41	37	20	37
	5'	18	16	12	8	5	3	29	20	29	24	21	24	21	17	21
	6'	11	11	8	6	4	3	23	22	23	19	18	19	17	15	17
	7'	7	7	6	4	3	2	15	15	15	13	12	13	11	10	11
	8'	5	5	4	3	2	2	11	11	11	9	9	9	8	7	8
9'	3	3	3	2	2	2	9	9	9	7	7	7	6	6	6	

Track 4 Feet From Wall		Single Unit						Multiple Units								
		0'	1'	2'	3'	4'	5'									
Distance From Ceiling		Beam Center														
	1'	54	44	27	13	5	1	62	53	62	56	37	56	54	25	54
	2'	53	45	30	16	8	4	69	62	69	60	45	60	56	32	56
	3'	39	34	24	15	8	4	56	52	56	47	39	47	43	29	43
	4'	29	25	19	13	8	5	46	44	46	38	34	38	33	27	33
	5'	20	18	15	11	7	5	38	37	38	32	29	32	28	24	28
	6'	13	12	10	8	6	4	27	26	27	22	21	22	19	17	19
	7'	9	9	7	6	4	3	20	20	20	17	16	17	14	13	14
	8'	7	6	5	5	4	3	17	17	17	14	14	14	12	12	12
9'	5	4	4	3	3	2	13	13	13	11	10	11	9	9	9	

Track 5 Feet From Wall		Single Unit						Multiple Units								
		0'	1'	2'	3'	4'	5'									
Distance From Ceiling		Beam Center														
	1'	37	32	23	15	9	5	57	54	57	49	42	49	44	32	44
	2'	37	33	24	16	10	6	60	57	60	51	45	51	45	35	45
	3'	33	30	23	16	10	6	58	56	58	49	45	49	44	36	44
	4'	24	22	17	13	9	5	44	43	44	36	34	36	32	28	32
	5'	18	17	14	10	8	5	36	35	36	30	29	30	25	23	25
	6'	14	13	11	9	7	5	30	30	30	25	24	25	22	20	22
	7'	10	10	8	7	5	4	25	25	25	21	20	21	18	17	18
	8'	7	7	6	5	4	3	19	18	19	15	15	15	13	12	13
9'	6	5	5	4	3	3	15	15	16	13	13	13	11	11	11	

Footcandles are average and rounded off and data for multiple units are based on a minimum of five units.

Job Information **Type:**

Lightolier a Genlyte Thomas Company www.lightolier.com
 631 Airport Road, Fall River, MA 02720 • (508) 679-8131 • Fax (508) 674-4710
 We reserve the right to change details of design, materials and finish.
 © 2002 Genlyte Thomas Group LLC (Lightolier Division) • B0902

LIGHTOLIER®