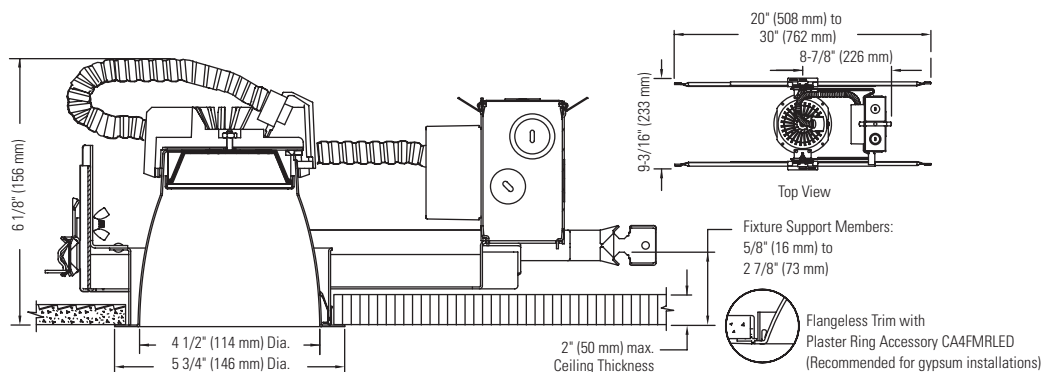


Calculite LED Downlight C4L10DL



Light Engine Series	Lumen Package (nominal)	Input Wattage*	Frame-in Kit Series*	Installation Options	Input Voltage Options
C4L10DL	1000	20W *+/- 5%	C4L10 CUL10 *See frame-in kit specification sheet for details	New Construction/Remodeler Retrofit	120V, 277V 120V

Ordering Guide: Light Engines

Calculite	Aperture	LED Technology	Fixture Lumens	Style	Color Temperature	Reflector Finish	Flange	Additional Options
C	4	L	10	DL	35K	CL	W	

Features

- Aperture:** 4 1/2" (114mm) I.D., 5 3/4" (146mm) O.D.
- Reflector Cone:** Aluminum. Provides 50° cutoff to source & source image. Self-flanged.
- Depth (including Frame-in kit):** 6 1/8" (156mm)
- Power Connection:** Attaches to frame-in kit via push-in connector (on frame). Removable cover provides access.

Technology

- LED Board:** Array of high brightness royal blue LED's.
- Remote Phosphor Technology:** Patented remote phosphor technology provides increased efficiency and color consistency. Phosphor lens assembly positioned in front of LED array converts blue light to white. Color shift will not exceed +/- 100K over life.
- Optical Mixing Chamber:** Lightolier-specific mixing chamber redirects back-reflected light through aperture resulting in 20% increase in efficiency.
- Thermal Management:** Proprietary heat sink and thermal design along with clean room assembly ensures specified performance.
- Rated Life:** 50,000 hours at 70% lumen maintenance (L70)
- Photometric Performance:** Tested in accordance to IESNA LM-79-2008

Luminaire Options

Color Temperatures:

2700K	27K
3000K	30K
3500K	35K
4000K	40K

Reflector Finishes:

Specular Clear	CL
Comfort Clear	CCL
Comfort Clear Diffuse	CCD
Champagne Bronze	CCZ
Painted White	WH

Luminaire Options

- Flanges:**
 - Painted White W
 - Aperture-Matching / Polished P
 - Flush-mount / Flangeless* FT
- *Accessory CA4FMRLED recommended for gypsum installations.

- Dimming Capability:** See LED-DIM specification sheet
- Emergency Capability (Integral):** Add "EM" suffix. See LED-EM spec sheet.
- Emergency Capability (Inverter):** See LED-LMI specification sheet

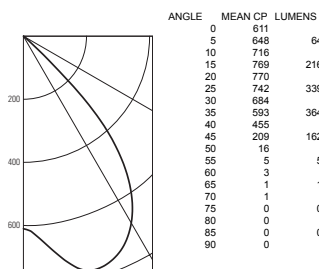
Labels

- UL (suitable for wet locations), cUL, I.B.E.W.
- 5 Year Warranty

Job Information	Type:
Job Name:	
Cat. No.:	
Lamp(s):	
Notes:	

Calculite LED Downlight **C4L10DL**

20W LED, 4000K, CL FINISH TRIM



Trim:
C420LEDDL40KCLW

Output lumens: 1154 lm

Correlated Color Temp¹: 4000K

Input Watts²: 19.8 w

Efficacy: 58.3 lm/w

CR³: 76

Spacing Criterion: 1.3

CEILING WALL	80%				70%				50%				30%				0%			
	70	50	30	10	50	30	10	0	50	30	10	0	50	30	10	0	50	30	10	0
RCR	Zonal Cavity Method - Effective Floor Cavity Reflectance ± 20%																			
0	119	119	119	119	116	116	111	111	106	106	100	100	106	106	100	100	106	106	100	100
1	113	110	107	105	108	103	104	100	100	97	92	84	106	106	100	97	106	106	100	92
2	107	101	97	93	99	92	96	90	93	86	84	84	100	93	88	84	100	93	88	84
3	100	93	88	83	92	83	89	81	87	80	77	77	93	81	77	77	93	81	77	77
4	94	86	80	75	85	75	83	74	80	73	70	70	83	74	80	73	83	74	80	73
5	89	79	73	68	78	68	77	67	75	66	64	64	77	67	75	66	77	67	75	66
6	83	73	67	62	73	62	71	61	70	61	59	59	71	61	70	61	71	61	70	61
7	78	68	61	57	67	56	66	56	65	56	54	54	66	56	65	56	66	56	65	56
8	74	63	56	52	63	52	61	51	60	51	49	49	61	51	60	51	61	51	60	51
9	70	59	52	48	58	48	57	47	56	47	46	46	57	47	56	47	57	47	56	47
10	66	55	48	44	54	44	53	44	53	44	42	42	53	44	53	44	53	44	53	44

ZONAL LUMENS AND PERCENTAGES		
ZONE	LUMENS	% LUMINAIRE
0-30	619	53.7%
0-40	983	85.3%
0-60	1151	99.9%
0-90	1153	100.0%

Single Unit Data			
Height to Lighted Plane	Initial		Beam Diameter
	Footcandles	Watts/ft ²	
5'	24	7'	
6'	17	9'	
7'	12	10'	
8'	10	12'	
9'	8	13'	

Multiple Unit Data - RCR 2			
Spacing On Ctr.	Initial		Watts/ft ²
	Footcandles	So Ft	
5'	52	0.88	
6'	34	0.58	
7'	24	0.41	
8'	20	0.34	
9'	16	0.27	

38"x38"x10' Room, Workplane 2 1/2' above floor, 80/50/20% Reflectances

CERTIFIED TEST REPORT NO. 15736³

¹Correlated Color Temperature within specs as defined in ANSI_NEMA_ANSI C78.377-2008: Specifications for the Chromaticity of Solid State Lighting Products.
²Wattage controlled to within 65%.
³Tested using absolute photometry as specified in LM79: IESNA Approved Method for the Electrical and Photometric Measurements of Solid-State Lighting Products.
⁴Color Rendering Index within +/- 2%.

Job Information **Type:**