

# Make the move to Philips Lightolier CorePro LED Downlights.

CP630K10 – CP630K6  
6" COREPRO



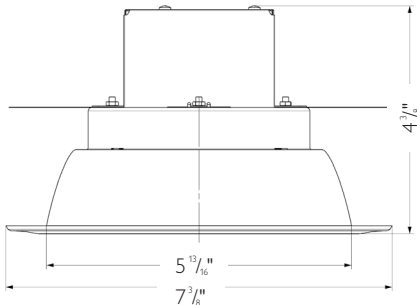
LED DOWNLIGHT RETROFIT KIT 6" APERTURE  
CP630K6 (600 lm) AND CP630K10 (1000 lm)

Core value LED retrofit downlight  
For retrofit, new construction and remodel applications  
Installs in many existing residential and commercial applications

Project: \_\_\_\_\_  
Location: \_\_\_\_\_  
Catalog No: \_\_\_\_\_  
Fixture Type: \_\_\_\_\_  
Mfg: \_\_\_\_\_ Lamps: \_\_\_\_\_ Qty: \_\_\_\_\_  
Notes: \_\_\_\_\_

## Retrofit Kit

**CP630K6** – 6" 600lm, 3000k, White Splay  
**CP630K10** – 6" 1000lm, 3000k, White Splay



## Features

- Reflector/Flange:** One piece self flange aluminum, .032" thick, (20ga.). Powder coated, non yellowing, white splay and flange.
- Lens:** PMMA 1.5mm thick. High transmittance lens allowing for smooth, diffused light pattern.
- Power supply:** Class 2 driver. Factory wired electronic LED driver (see Electrical section for specifications) Enclosed in a .032" thick (21 ga.) painted steel housing.
- LED board:** Utilizes Philips LEDs.
- Friction spring:** Stainless steel.
- Power connection:** E26 medium base whip connector (included) for retrofit.
- Frame in kit/housing:** Refer to appropriate frame in kit/housing specification sheets for complete information.
- Labels:** cULus wet location classified, Energy Star.
- Lifetime:** Expected lifetime 50,000 hours and backed by a 5-year warranty (see Philips.com/warranties for details).

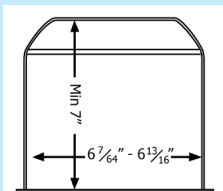
## Electrical

**Electronic power supply:** RoHS compliant\* Class 2 power unit for use in a dry location. Unit tolerates sustained open circuit and short circuit output conditions without damage.

**Dimming:** All luminaires are intended for use with TRIAC type dimmers. Go to <http://www.lightolier.com/MKACatpdfs/LED-DIM.PDF> for the latest dimming switch capability information. 10%-100% dimming range.

## Compatible Housings\*

**1104IC** – Philips Lightolier  
**CR1NBQP, QL6NBQP** – Philips Capri  
**PR75ASIC, PRR75ICX** – Philips Capri  
**L7X** – Lithonia  
**H7ICAT** – Halo  
**IC22** – Juno  
**P87-A1** – Progress



\* Any other luminaires meeting these dimensions as shown are also compatible.

Lumen Output	Input Voltage	Input Frequency	Max Input Current	Max Input Power	Max THD	Power Factor	Minimum Operating Temp.
647 lm	120V	50/60Hz	0.07A	8W	< 30%	> .9	-18° C
1110 lm	120V	50/60Hz	0.11A	13W	< 30%	> .9	-18° C

\* Restrictions on Hazardous Substances (RoHS) is a European directive (2002/95/EC) designed to limit the content of 6 substances [lead, mercury, cadmium, hexavalent chromium, polybrominated biphenyls (PBB), and polybrominated diphenyl ethers (PBDE)] in electrical and electronic products. For products used in North America compliance to RoHS is voluntary and self-certified.



**PHILIPS**  
**LIGHTOLIER**

---

# CP630K10 – CP630K6 6" COREPRO

---

## New Construction

**PR75ASICNB** – C Plus 6" IC / Airseal Housing

**1104IC** – Lytning 6¾" IC / Airseal Housing



## Remodeler

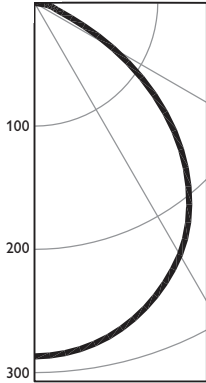
**CRR1NBQP** – C Plus 6" IC Remodeler Housing



# CP630K10 – CP630K6 6" COREPRO

## 6" CorePro DL – LVE23088

Output lumens: 648 lm  
 Correlated Color Temp: 3000K  
 Input Watts: 8.2 W  
 Efficacy: 79.4 lm/W  
 CRI: >80  
 Spacing Criterion: 1.2



### Coefficients of Utilization

Ceiling	80				70				50				30				0			
Wall	70	50	30	10	50	10	50	10	50	10	50	10	50	10	50	10	50	10		
RCR	Zonal Cavity Method – Effective Floor Cavity Reflectance = 20%																			
0	119	119	119	119	116	116	111	111	106	106	100	100	100	100	100	100	100	100		
1	110	106	103	100	104	98	100	95	96	92	87	87	87	87	87	87	87	87		
2	102	95	89	84	93	83	89	81	86	79	75	75	75	75	75	75	75	75		
3	94	84	77	71	83	71	80	70	77	68	65	65	65	65	65	65	65	65		
4	86	76	68	62	74	61	72	60	70	60	57	57	57	57	57	57	57	57		
5	80	68	60	54	67	54	65	53	63	53	50	50	50	50	50	50	50	50		
6	74	62	54	48	61	47	59	47	58	47	44	44	44	44	44	44	44	44		
7	69	56	48	42	56	42	54	42	53	42	40	40	40	40	40	40	40	40		
8	64	52	44	38	51	38	50	38	48	38	36	36	36	36	36	36	36	36		
9	60	47	40	34	47	34	46	34	45	34	32	32	32	32	32	32	32	32		
10	56	44	36	31	43	31	42	31	42	31	29	29	29	29	29	29	29	29		

### Candlepower

Angle	Mean CP	Lumens
0	287	
5	285	27
10	281	
15	273	77
20	263	
25	251	115
30	236	
35	217	136
40	194	
45	168	129
50	138	
55	106	95
60	74	
65	44	45
70	24	
75	17	18
80	11	
85	5	6
90	0	

### Zonal Lumens and Percentages

Zone	Lumens	% Luminaire
0-30	220	33.9%
0-40	355	54.8%
0-60	579	89.4%
0-90	648	100.0%

### Single Unit Data

Height to Lighted Plane	Initial Footcandles	Beam Diameter
5'	11	6.0'
6'	8	7.2'
7'	6	8.4'
8'	4	9.6'
9'	4	10.8'

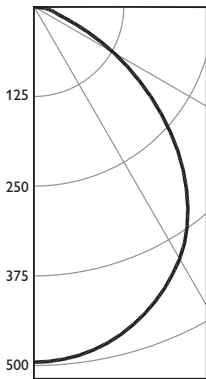
### Multiple Unit Data

Spacing On Ctr.	Initial Footcandles	Watts/Sq. Ft.
5'	27.1	0.36
6'	17.8	0.24
7'	12.7	0.17
8'	10.6	0.14
9'	8.5	0.11

38' x 38' x 10' Room, Workplane 2 1/2' above floor, 80/50/20% Reflectances

## 6" CorePro DL – LVE23089

Output lumens: 1110 lm  
 Correlated Color Temp: 3000K  
 Input Watts: 12.8 W  
 Efficacy: 87.0 lm/W  
 CRI: >80  
 Spacing Criterion: 1.2



### Coefficients of Utilization

Ceiling	80				70				50				30				0			
Wall	70	50	30	10	50	10	50	10	50	10	50	10	50	10	50	10	50	10		
RCR	Zonal Cavity Method – Effective Floor Cavity Reflectance = 20%																			
0	119	119	119	119	116	116	111	111	106	106	100	100	100	100	100	100	100	100		
1	110	106	103	99	104	98	100	95	96	92	87	87	87	87	87	87	87	87		
2	102	95	89	84	93	83	89	81	86	79	75	75	75	75	75	75	75	75		
3	94	84	77	71	83	71	80	69	77	68	65	65	65	65	65	65	65	65		
4	86	76	68	62	74	61	72	60	70	60	57	57	57	57	57	57	57	57		
5	80	68	60	54	67	54	65	53	63	52	50	50	50	50	50	50	50	50		
6	74	62	54	48	61	47	59	47	58	47	44	44	44	44	44	44	44	44		
7	69	56	48	42	56	42	54	42	53	42	40	40	40	40	40	40	40	40		
8	64	52	44	38	51	38	50	38	48	38	36	36	36	36	36	36	36	36		
9	60	48	40	35	47	34	46	34	45	34	32	32	32	32	32	32	32	32		
10	57	44	36	31	43	31	43	31	42	31	29	29	29	29	29	29	29	29		

### Candlepower

Angle	Mean CP	Lumens
0	495	
5	493	47
10	485	
15	472	133
20	454	
25	432	199
30	406	
35	372	232
40	330	
45	283	217
50	230	
55	178	159
60	128	
65	81	82
70	45	
75	29	32
80	20	
85	9	10
90	0	

### Zonal Lumens and Percentages

Zone	Lumens	% Luminaire
0-30	379	34.1%
0-40	610	55.0%
0-60	987	88.9%
0-90	1110	100.0%

### Single Unit Data

Height to Lighted Plane	Initial Footcandles	Beam Diameter
5'	20	6.0'
6'	14	7.2'
7'	10	8.4'
8'	8	9.6'
9'	6	10.8'

### Multiple Unit Data

Spacing On Ctr.	Initial Footcandles	Watts/Sq. Ft.
5'	46.5	0.57
6'	30.5	0.37
7'	21.8	0.27
8'	18.2	0.22
9'	14.5	0.18

38' x 38' x 10' Room, Workplane 2 1/2' above floor, 80/50/20% Reflectances



© 2013 Koninklijke Philips N.V. All rights reserved.  
 Specifications are subject to change without notice.  
[www.philips.com/luminaires](http://www.philips.com/luminaires)

CP630K10 and CP630K6 09/13

Philips Lighting  
 A division of Philips North America  
 200 Franklin Square Drive  
 Somerset, NJ 08873  
 Phone: 855-486-2216

Philips Lighting  
 A division of Philips Canada  
 281 Hillmount Road  
 Markham ON, Canada L6C 2S3  
 Phone: 800-668-9008