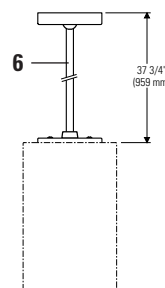
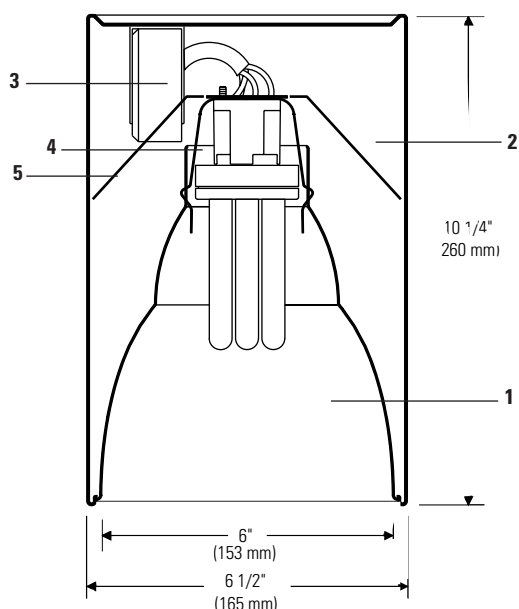
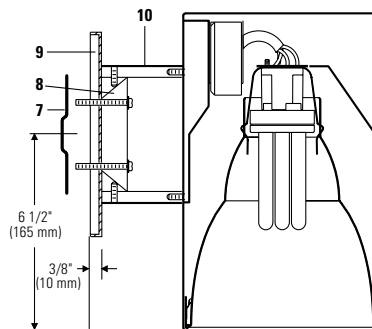


Calculite® Compact Fluorescent Surface Cylinder **CS6132**



FACS36 (Stem Kit)



CW6132 (Wall Mount)

Complete Fixture Ceiling Mount	Complete Fixture Wall Mount
CS6132VUCCL Electronic, 120V - 277V	CW6132VUCCL Electronic, 120V - 277V
CS6132VJUM7CCL Advanced Mark VII Dim., 120V - 277V	CW6132VJUM7CCL Advanced Mark VII Dim., 120V - 277V
CS6132VJ1MXCCL Advanced Mark X Dim., 120V	CW6132VJ1MXCCL Advanced Mark X Dim., 120V
CS6132VJ2MXCCL Advanced Mark X Dim., 277V	CW6132VJ2MXCCL Advanced Mark X Dim., 277V
Finish	Finish
Comfort Clear™ Reflector, White Housing	Comfort Clear™ Reflector, White Housing
Lamp	Lamp
26 / 32W Triple Tube, 4 Pin	26 / 32W Triple Tube, 4 Pin

Features

- Reflector:** 16 ga. Alzak® aluminum, 50° visual cutoff to lamp and lamp image, medium distribution. Comfort Clear™ low iridescence finish.
- Housing:** One piece 16 ga. spun aluminum with returned bottom edge to seat reflector; no visible hardware. Matte white baked enamel finish.
- Ballast:** Mounted on support bracket, can be easily removed for service.
- Socket Bracket:** Snaps onto reflector neck to assure consistently correct optical alignment.
- Retaining Springs:** Precision-tooled steel friction springs secure reflector to housing for quick, tool-less installation.
- Stem Kit:** Cat. No. **FA CSA36**: Provided with 1/2" dia. stem and 5 1/2" dia. canopy. Self aligning swivel provides maximum 38° vertical adjustment. Installs over 4" octagonal outlet box. Stem can be cut to length on site. Matte white baked enamel finish.
- Crossbar:** Installs over 3" or 4" octagonal or rectangular outlet box.
- Cleat:** Cast aluminum; allows mounting to mullion or post without backplate.
- Backplate:** Die-cast aluminum; 6 1/4" high by 4" wide; matte white.
- Bracket:** Extruded aluminum; matte white finish. Secured to cleat by set screws.

Electrical

Note: For ballast electrical data and latest lamp/ballast compatibility refer to "Ballast" specification sheet for complete electrical data.

UL listed for 90°C supply conductors.

Options and Accessories

Other Reflector and Housing Finishes

Consult factory

Fuse (Slow Blow) Add Suffix **F** (non-dim. only, all others consult factory)

Labels

UL listed for damp locations, I.B.E.W.

Alzak® is a registered trademark of ALCOA.

US Patent Pending.

Job Information	Type:
Job Name:	
Cat. No.:	
Lamp(s):	
Notes:	

Lightolier a Genlyte Thomas Company www.lightolier.com
 631 Airport Road, Fall River, MA 02720 • (508) 679-8131 • Fax (508) 674-4710
 We reserve the right to change details of design, materials and finish.
 © 2004 Genlyte Thomas Group LLC (Lightolier Division) • C0704

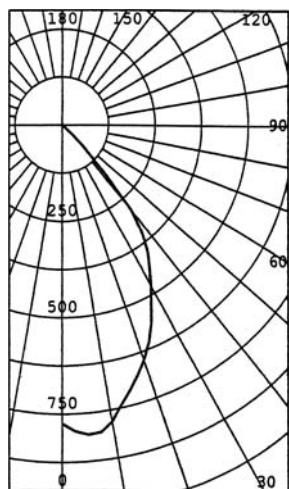
LIGHTOLIER®

Calculite® Compact Fluorescent Surface Cylinder **CS6132**

26W

Spacing Ratio = 1.0

Report No: LSI 14025
 Lightolier Recessed Fluorescent Luminaire, With Comfort Clear™ Reflector
 One 26 Watt CPFL GE Lamp,
 Cat# F26TBX/SPX35-835.
 Lumen Rating = 1800 Lms.



****Efficiency=48.1%****
 Date: 4-23-99
 CIE Type Direct
 Luminous Diameter: 6.000
 This Report Based On LM-1 And
 Other Pertinent IES Procedures.

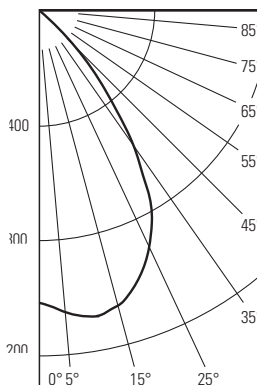
ZONAL SUMMARY		
ANGLE	CP	LUMENS
0	775	
5	806	77
10	780	
15	708	199
20	646	
25	566	258
30	478	
35	402	245
40	285	
45	78	81
50	13	
55	4	4
60	2	
65	1	2
70	1	
75	1	1
80	0	
85	0	0
90	0	

ZONAL LUMENS AND PERCENTAGES			
ZONE	LUMENS	% LAMP	% LUMINAIRE
0-30	533	29.66	61.66
0-40	778	43.25	89.92
0-60	863	47.98	99.75
0-90	865	48.10	100.00
40-90	87	4.85	10.08
60-90	2	.12	.25
90-180	0	.00	.00
0-180	865	48.10	100.00

32W

Spacing Ratio = 1.1

Report Prepared For: Lightolier 04-27-1999
 Report No: LRL 499-9G
 Lamps: 1 PLT-32 Lumens: 2400
 Descr.: 6" Dia X 10" Ht Recessed Downlight
 With Comfort Clear™ Reflector. Vertical Lamp.



****Efficiency=52.7%****
 Date: 4-27-99
 CIE Type Direct
 Luminous Diameter: 6.000
 This Report Based On LM-1 And
 Other Pertinent IES Procedures.

ZONAL SUMMARY		
ZONE	AVG* C.P.	ZONAL LUMENS
180	0	0
175	0	0
165	0	0
155	0	0
145	0	0
135	0	0
125	0	0
115	0	0
105	0	0
95	0	0
90	0	0
85	1	1
75	1	1
65	3	3
55	9	8
45	99	77
35	563	354
25	904	418
15	1063	301
5	1066	102
0	1035	

ZONAL LUMENS AND PERCENTAGES			
ZONE	LUMENS	% LAMP	% LUMINAIRE
0-30	821	34.2	64.9
0-40	1175	49.0	92.9
0-60	1260	52.5	99.6
0-90	1265	52.7	100.0
40-90	90	3.8	7.1
60-90	5	0.2	0.4
90-120	0	0.0	0.0
90-150	0	0.0	0.0
90-180	0	0.0	0.0
0-180	1265	52.7	100.0

Coefficients of Utilization

Effective Floor Cavity Reflectance = .20

Room Cavity Ratio	Wall Reflectance															
	80			70			50			30			10			0
	50	30	10	50	30	10	50	30	10	50	30	10	50	30	10	
1	.54	.53	.52	.53	.52	.51	.51	.50	.49	.49	.48	.48	.47	.47	.46	.46
2	.50	.49	.47	.50	.48	.47	.48	.47	.46	.47	.46	.45	.45	.45	.44	.43
3	.47	.45	.44	.47	.45	.43	.46	.44	.43	.44	.43	.42	.43	.42	.41	.41
4	.45	.42	.40	.44	.42	.40	.43	.41	.40	.42	.41	.39	.41	.40	.39	.38
5	.42	.39	.37	.42	.39	.37	.41	.39	.37	.40	.38	.37	.39	.38	.36	.36
6	.40	.37	.35	.39	.37	.35	.39	.36	.35	.38	.36	.34	.37	.36	.34	.34
7	.37	.34	.33	.37	.34	.32	.36	.34	.32	.36	.34	.32	.35	.33	.32	.31
8	.35	.32	.30	.34	.32	.30	.34	.32	.30	.34	.31	.30	.33	.31	.30	.29
9	.33	.30	.28	.32	.30	.28	.32	.30	.28	.32	.29	.28	.31	.29	.28	.27
10	.31	.28	.26	.30	.28	.26	.30	.28	.26	.30	.27	.26	.29	.27	.26	.25

Coefficients of Utilization

Effective Floor Cavity Reflectance = .20

Room Cavity Ratio	Wall Reflectance															
	80			70			50			30			10			0
	50	30	10	50	30	10	50	30	10	50	30	10	50	30	10	
1	.59	.58	.57	.58	.57	.56	.56	.55	.54	.54	.53	.53	.52	.52	.51	.50
2	.56	.54	.53	.55	.54	.52	.54	.52	.51	.52	.51	.50	.51	.50	.49	.48
3	.53	.51	.50	.53	.51	.49	.51	.50	.49	.50	.49	.48	.49	.48	.47	.46
4	.51	.48	.47	.50	.48	.46	.49	.47	.46	.48	.46	.45	.47	.46	.45	.44
5	.48	.46	.44	.48	.45	.44	.47	.45	.43	.46	.44	.43	.45	.44	.43	.42
6	.46	.43	.42	.46	.43	.41	.45	.43	.41	.44	.42	.41	.44	.42	.41	.40
7	.44	.41	.39	.43	.41	.39	.43	.41	.39	.42	.40	.39	.42	.40	.39	.38
8	.41	.39	.37	.41	.39	.37	.41	.38	.37	.40	.38	.37	.40	.38	.36	.36
9	.39	.36	.35	.39	.36	.35	.38	.36	.35	.38	.36	.34	.38	.36	.34	.34
10	.35	.32	.31	.35	.32	.31	.35	.32	.30	.34	.32	.30	.34	.32	.30	.30

Job Information Type:

Lightolier a Genlyte Thomas Company www.lightolier.com
 631 Airport Road, Fall River, MA 02720 • (508) 679-8131 • Fax (508) 674-4710
 We reserve the right to change details of design, materials and finish.
 © 2004 Genlyte Thomas Group LLC (Lightolier Division) • C0704

LIGHTOLIER®